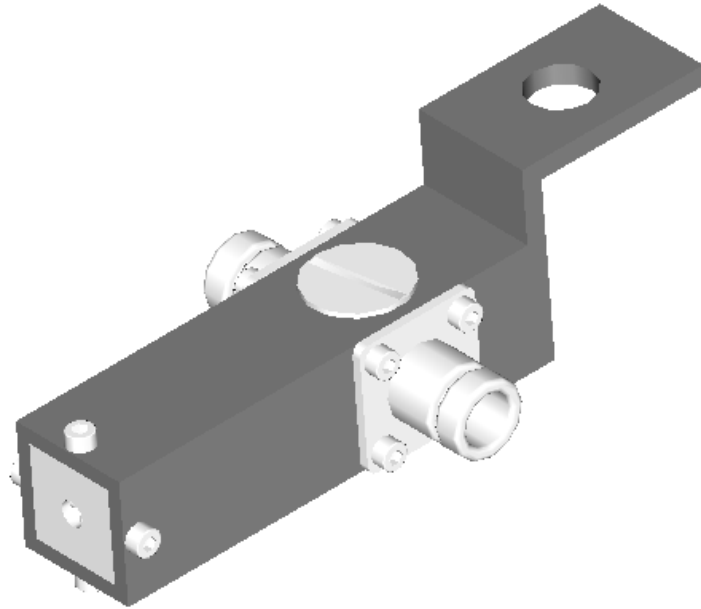


$\lambda/4$ -LIGHTNING PROTECTOR AELP2450-FN1

Type	AELP2450-FN1
Frequency	2,4 GHz...2,5 GHz
Bandwidth	0,1 GHz
Impedance	50 Ω DC grounded
VSWR	1,15 max
Feedthrough loss	0,15 dB
Max. Continuous power	0,25 kW
RF-connector	N female
Wind area	0,00125 m ²
Dimensions (H x W x D)	130 x 25 x 25 mm
Weight	0,2 kg
Mounting diameter	\varnothing 13 mm hole
Materials	Aluminium
Options	-