

Antennas

Masts

Components

Design

Measurement

Testing

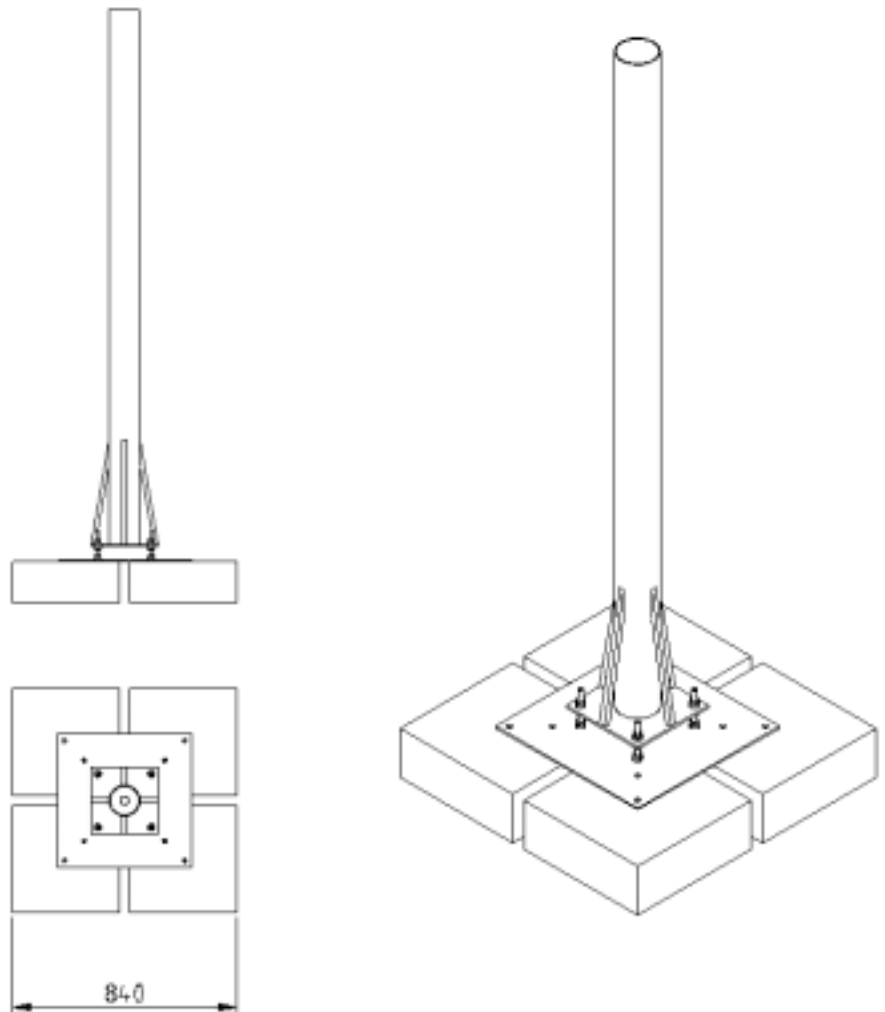
Installation

ROOFTOP ANTENNA MAST AM100

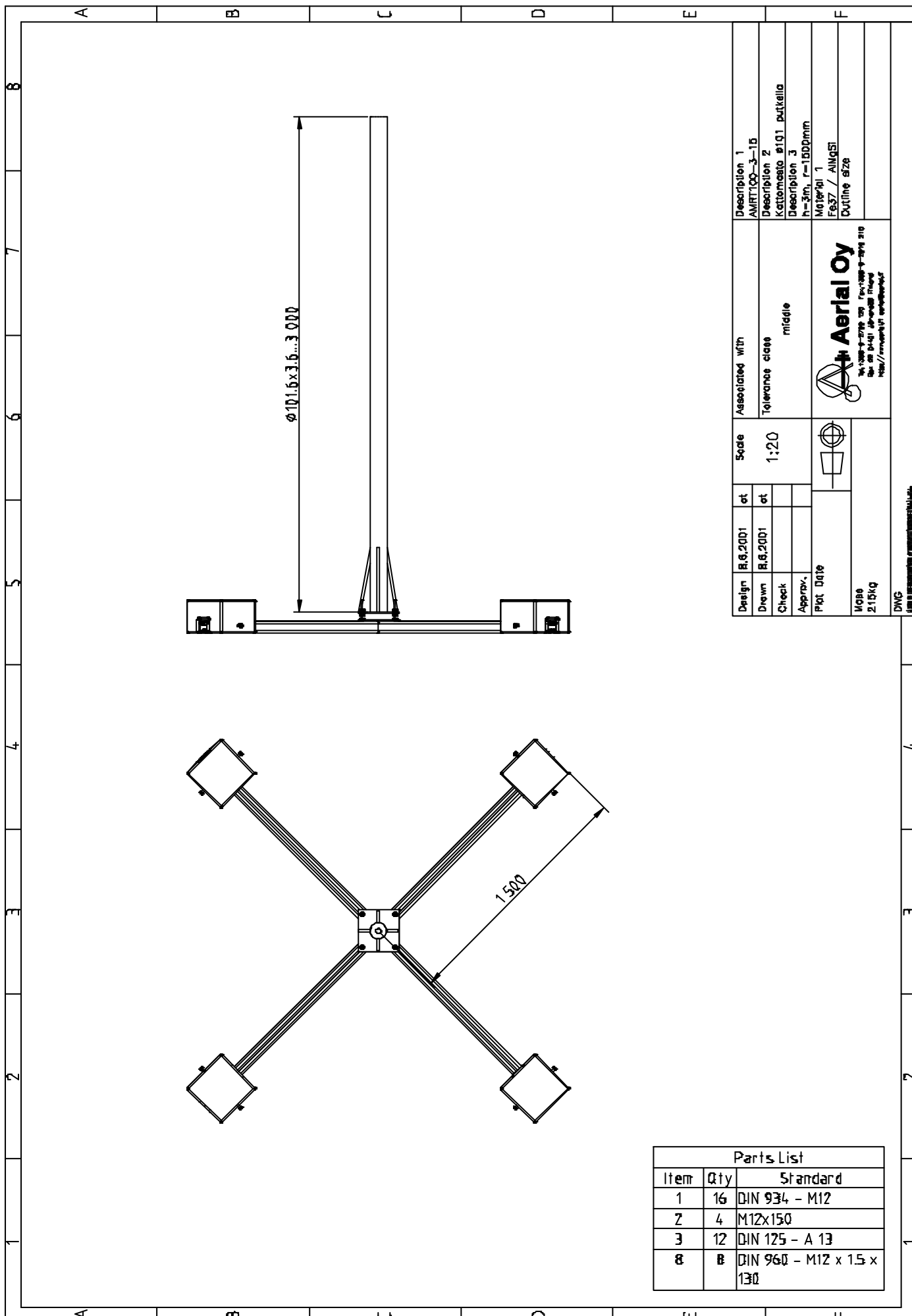


Type	AM100-5	AM100-7	AM100-10	AM100-12
Height	5 m	7 m	10 m	12 m
Cross section	Ø 100 mm	Ø 100 mm	Ø 100 mm	Ø 100 mm
Weight (without rail weights)	50 kg	68 kg	92 kg	115 kg
Top load	1m ²	1m ²	1m ²	1m ²
Material	Aluminium or steel, base rails always aluminium Rail weights concrete			
Coating	Steel: Hot dip galvanised			
Options	Painting Mast pipe in two or more pieces Aluminium parts anodised Safety rail			
Featuring	Adjustable base structure and supports for non-planar surfaces Mast pipe tilt Ladders			


ROOFTOP MAST AMRTXXX-YY-2



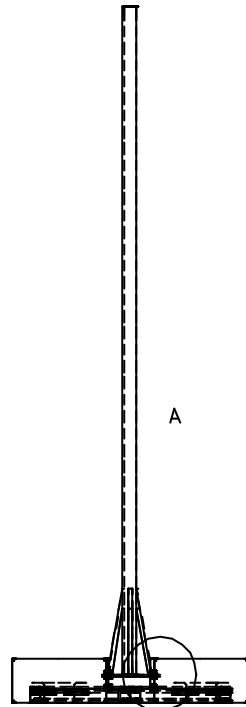
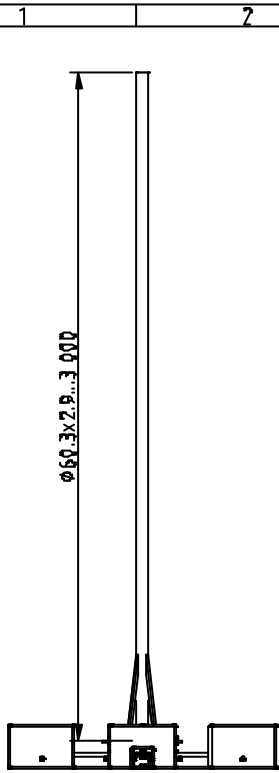
Type	AMRTXXX-YY-2
Dimensions (H x W x D) (Ø x H)	See above drawing XXX=tube diam. (60,100,114) YY=tube height (0-12m)
Weight	100 kg up
Materials	Hot dip galvanized steel
Versions	-
Options	Height Color Material (Aluminium)



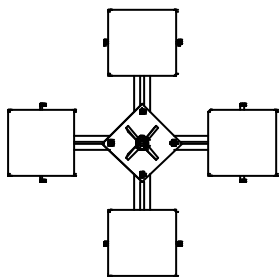
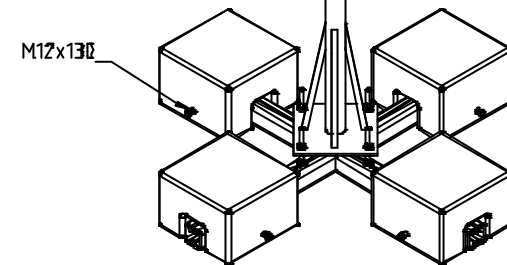
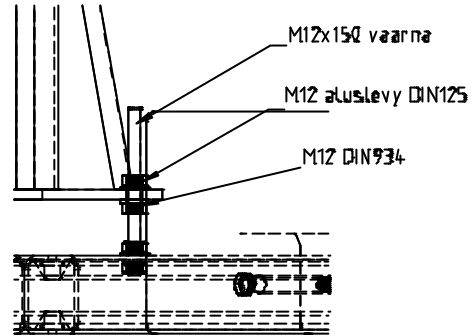
Parts List		
Item	Qty	Standard
1	16	DIN 934 - M12
2	4	M12x150
3	12	DIN 125 - A 13
8	8	DIN 960 - M12 x 1.5 x 130

Design	R.8.2001	et	Scale	1:20	Associated with	Description 1 AMFT100-3-15
Drawn	R.8.2001	et	Tolerance class	middle	Description 2	Description 2 Kattomasto #191 putkella
Check					Description 3	Description 3 h=310, r=1000mm
Apprv.					Material 1	Material 1 Fe37 / AINQSI
Plot Date					Outline size	Outline size
M080					 Aerial Oy <small>teollisuus- ja palvelusyritys</small> <small>teollisuus- ja palvelusyritys</small> <small>teollisuus- ja palvelusyritys</small>	
Z155kg						
DWG						

DWG



A (5:1)



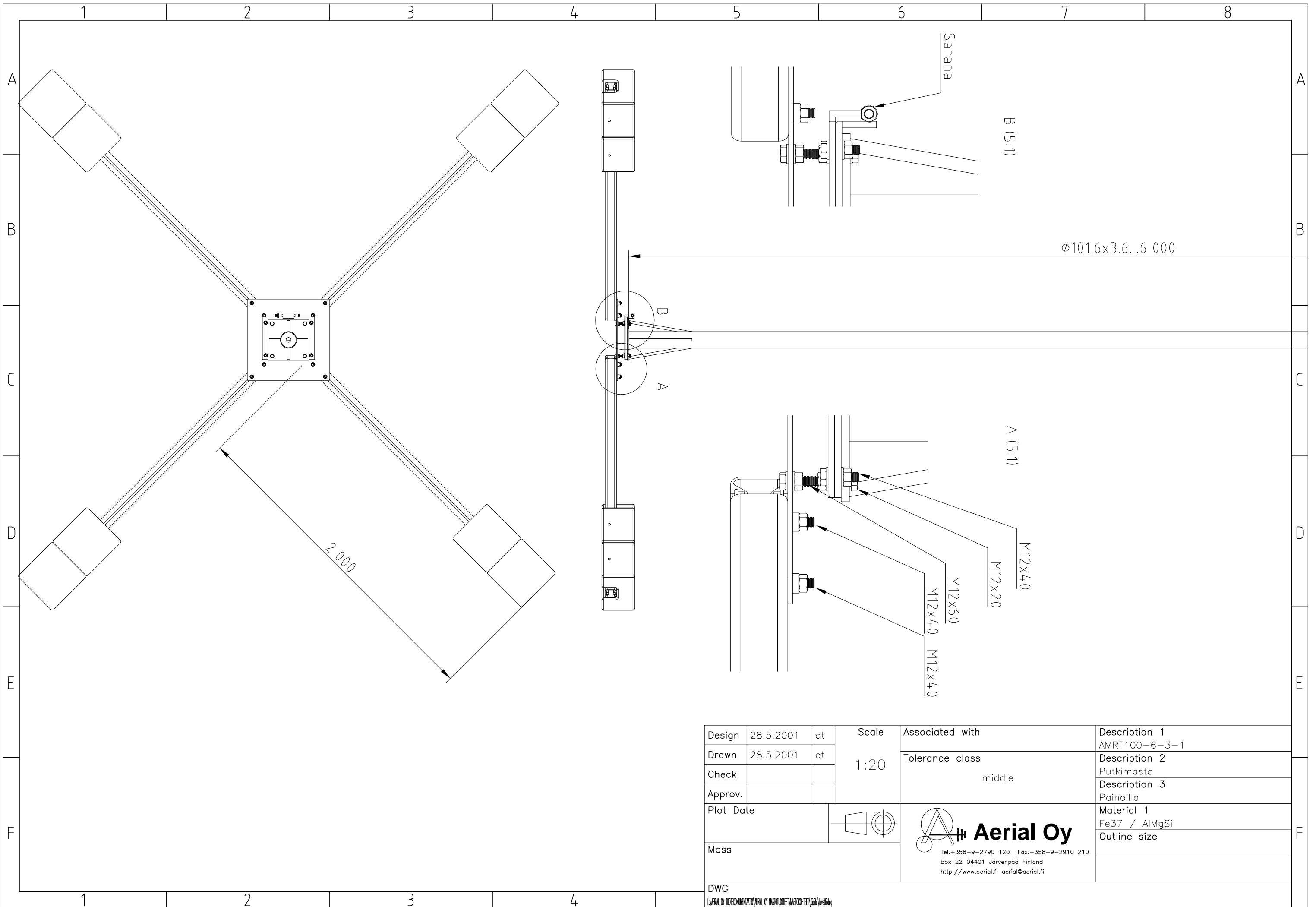
Parts List			
Item	Qty	Standard	Material
1	16	DIN 934 - M12	Hzn
2	4	M12x150	Hzn
3	12	DIN 125 - A 13	Hzn
B	B	DIN 960 - M12 x 1.5 x 130	Hzn

Design	27.9.2000	at.	Scale	Associated with	Description 1
Drawn	27.9.2000	at.	1:20	Tolerance class	AMRTGD-3-2
Check				middle	Description 2
Approved					Kokkormiste Ø90mmr puukella
Plot Date					Description 3
Mass					n=3m
					Material 1
					Fa37 / AlMgSi
					Outline size



Aerial Oy
 M.L. 2000-0-7700 120 P.O. Box 2018 02010
 P.O. Box 2018 02010 Finland

DWG
 2000/09/27



Ø101.6x3.6...6 000

2 000

B (5:1)

A (5:1)

Sarana

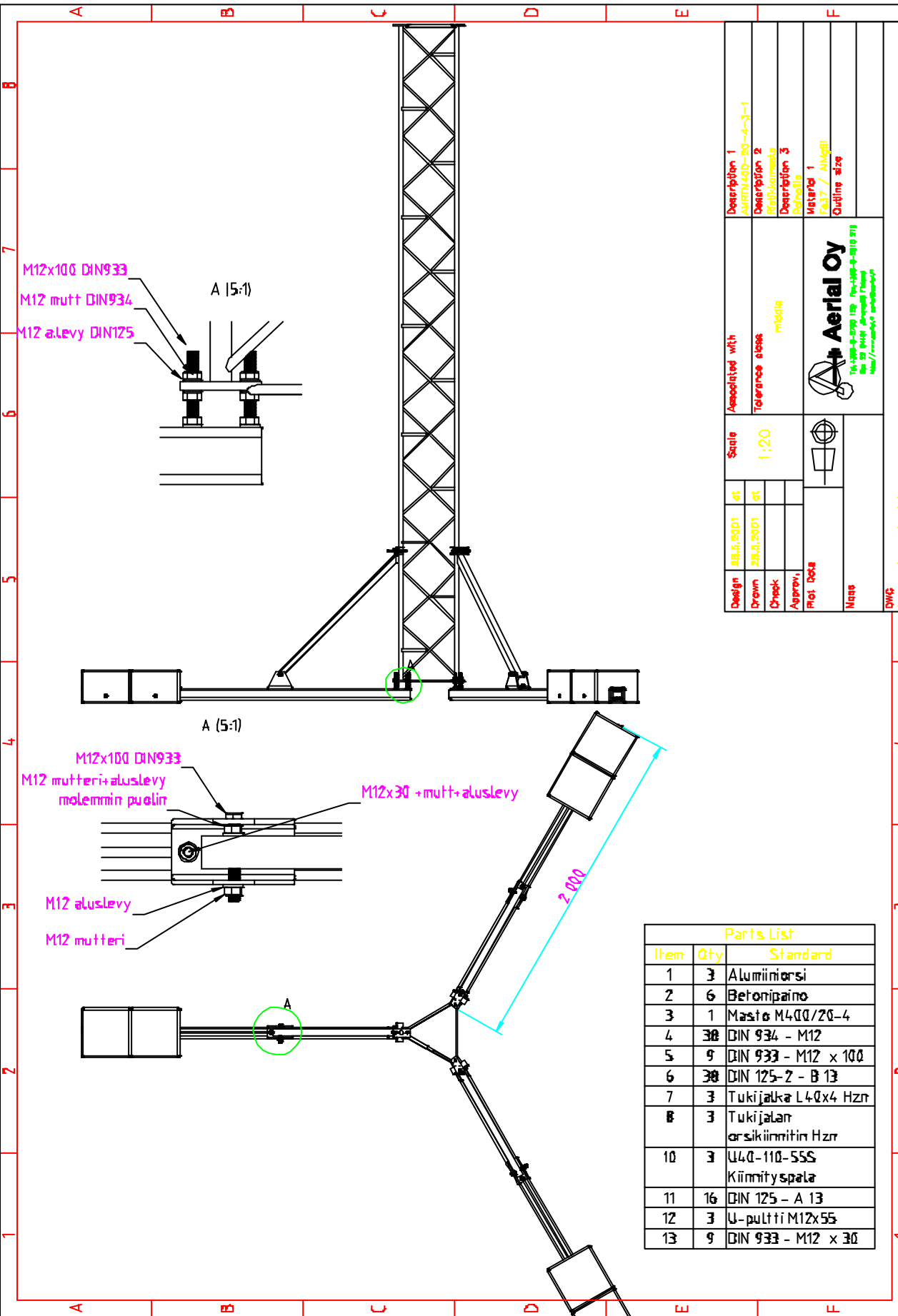
M12x40
M12x20
M12x60
M12x40

Design	28.5.2001	at	Scale 1:20	Associated with	Description 1 AMRT100-6-3-1
Drawn	28.5.2001	at			Tolerance class middle
Check					Description 3 Painoilla
Approv.					Material 1 Fe37 / AlMgSi
Plot Date					Outline size
Mass					



Aerial Oy
Tel.+358-9-2790 120 Fax.+358-9-2910 210
Box 22 04401 Järvenpää Finland
<http://www.aerial.fi> aerial@aerial.fi

DWG
E:\AERIAL OY TUOTEKORKEUSKORIT\AERIAL OY\INSTOITUUTTEET\INSTOITUUTTEET\logio\logio.dwg

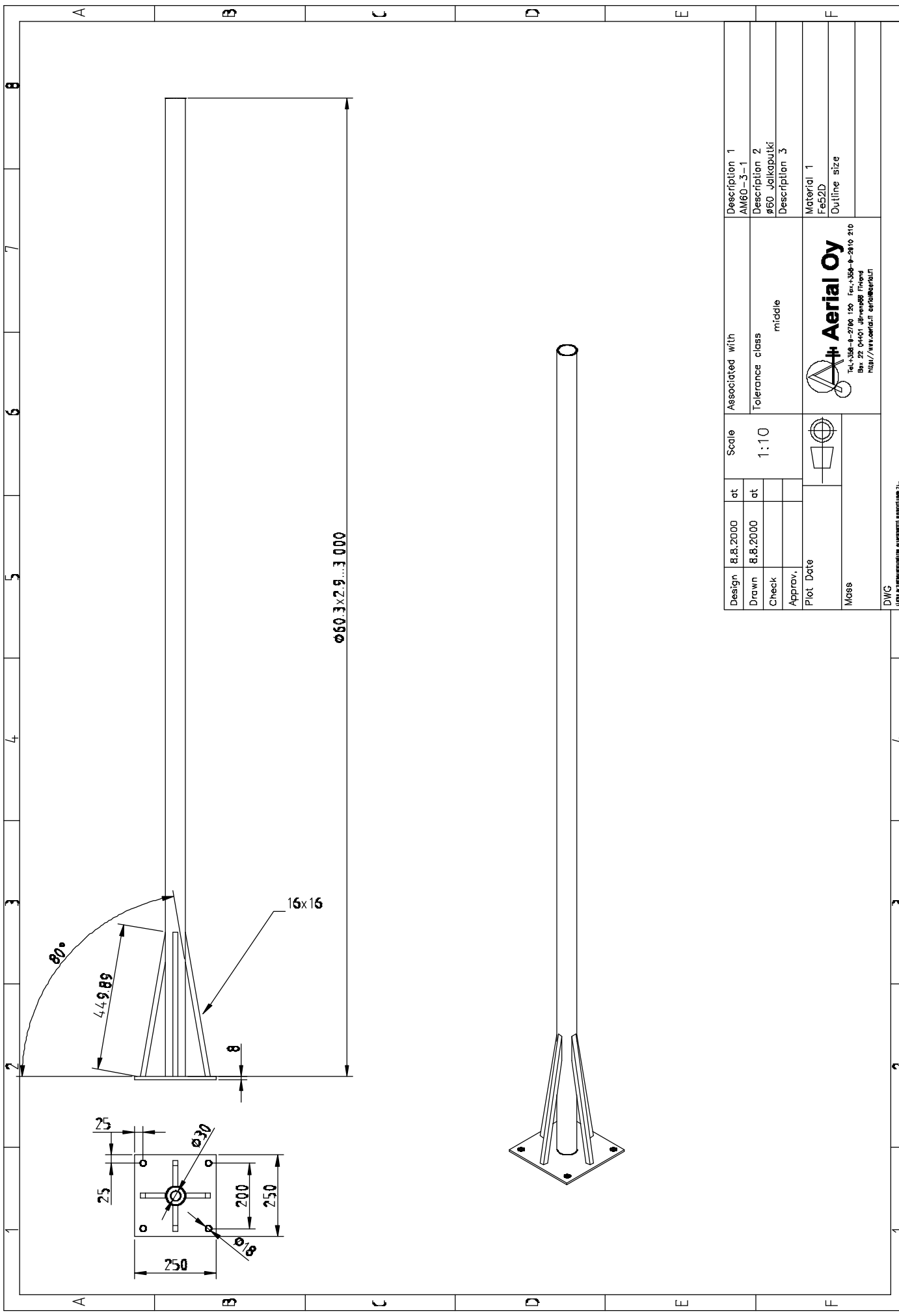


Design	28.6.2001	et	Associated with	Description 1	AMRTM400-20-4-3-1
Drawn	28.6.2001	et	Tolerance class	Description 2	8000kierros
Checked			modia	Description 3	2000kierros
Approved				Material 1	FS37 / AIN601
Plot Date				Outline size	
Name					



Parts List		
Item	Qty	Standard
1	3	Alumiiniersi
2	6	Betoniipaino
3	1	Masto M400/20-4
4	30	DIN 934 - M12
5	9	DIN 933 - M12 x 100
6	30	DIN 125-2 - B 13
7	3	Tukijalka L40x4 Hzr
8	3	Tukijalan orsikiinnitin Hzr
10	3	U40-110-5SS Kiinnityspala
11	16	DIN 125 - A 13
12	3	U-pultti M12x55
13	9	DIN 933 - M12 x 30

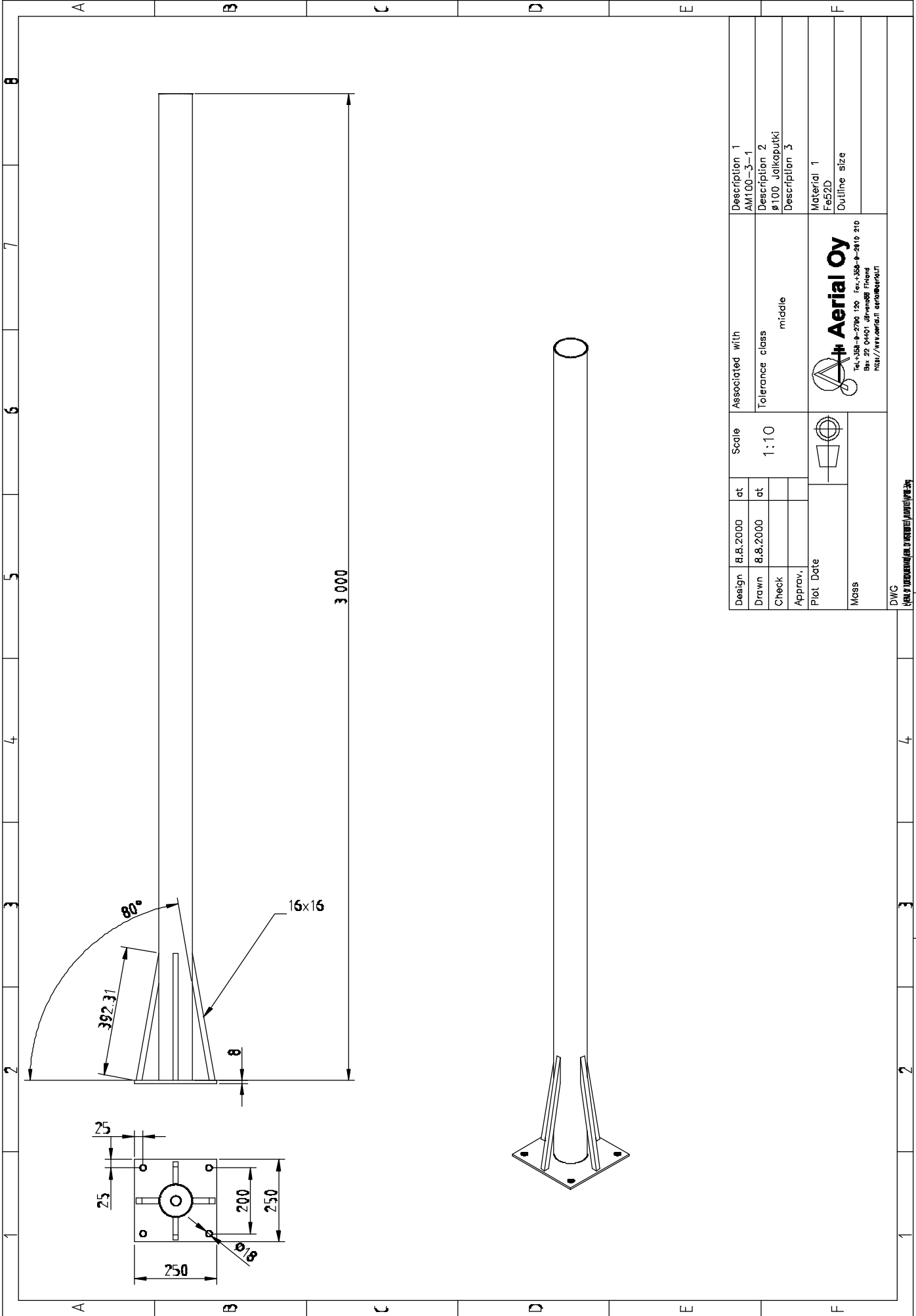
DWG
Yhteystiedot: Puh. +358-9-4810 211
 Fax +358-9-4810 212
 www.aerial.fi
 airt@airtel.fi




Ø60.3x2.9...3.000

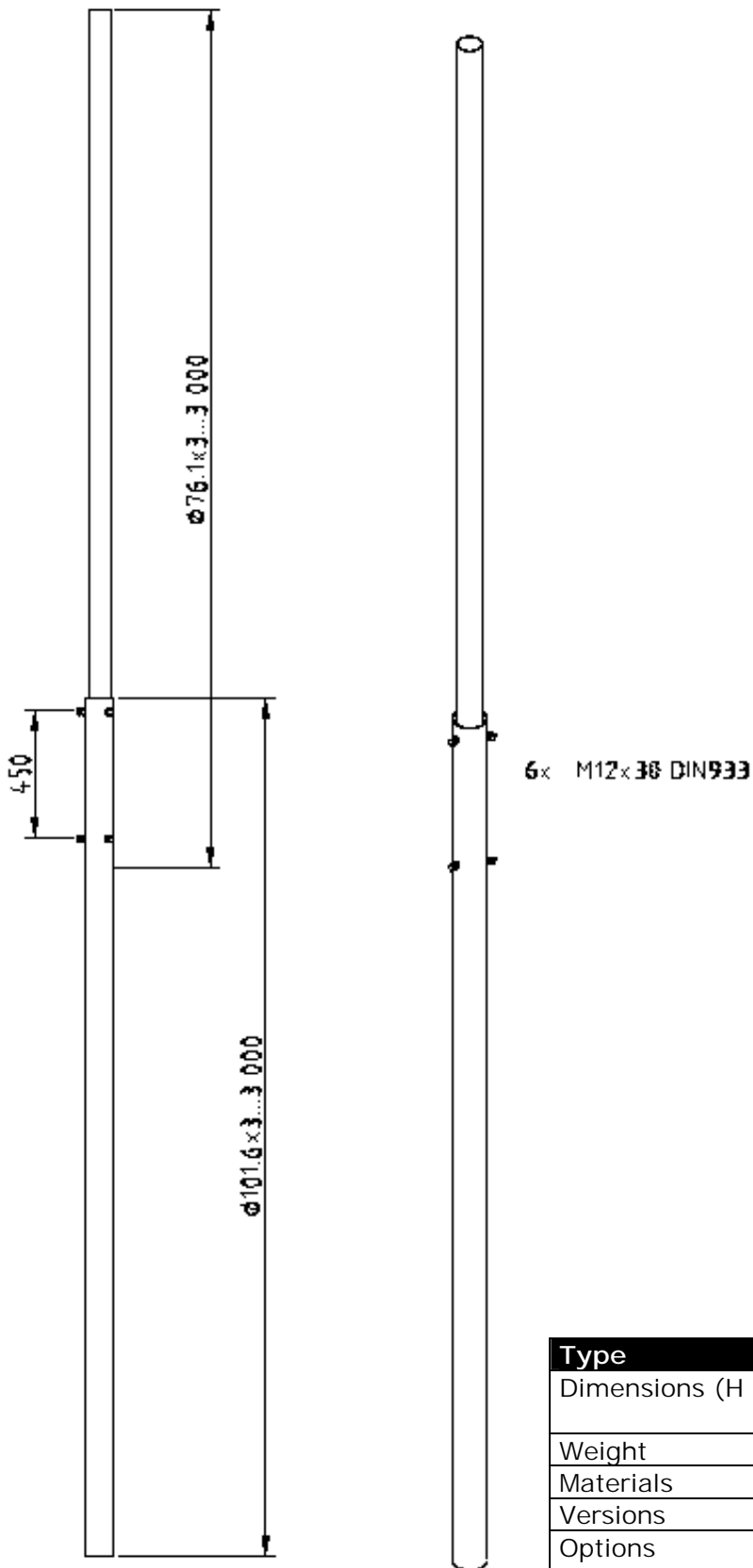
Design	B.B.2000	at		Scale		Associated with	Description 1
Drawn	B.B.2000	at		1:10		Tolerance class	AM60-3-1
Check						middle	Description 2
Approv.							Ø60 Jakaputki
Plot Date							Description 3
Mass							Material 1
							Fe52D
							Outline size
						Aerial Oy Tel. +358-9-2700 130 fax. +358-9-2810 210 Bm. 22 04001 Alppenväylä Finland http://www.aerial.fi aerial@airtel.fi	
DWG							
Pääsuojakokoonpanon valmistusohje 2014							

4 2 3 4

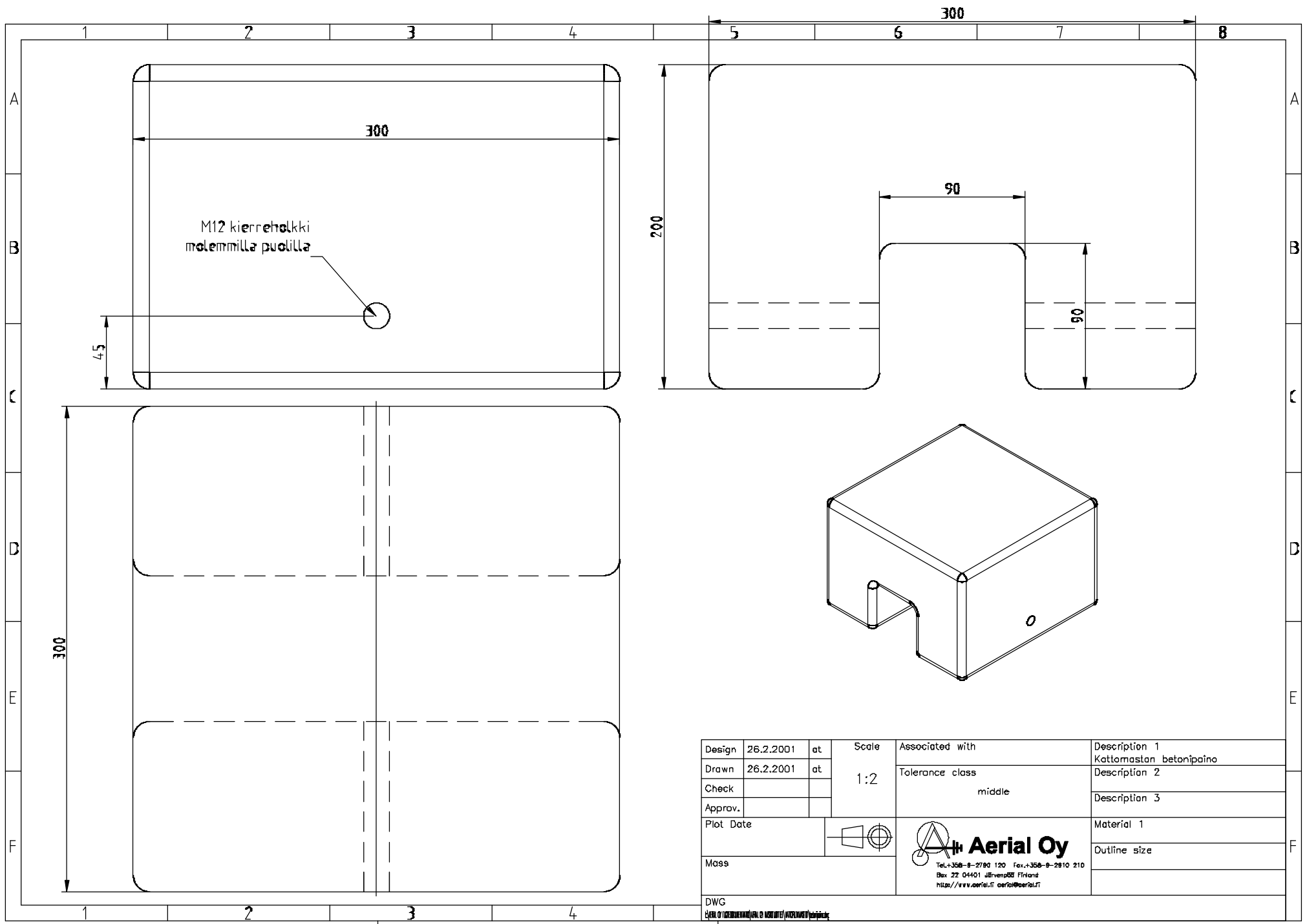


Design	B.B.2000	at		Scale		Associated with	Description 1
Drawn	8.8.2000	at		1:10		Tolerance class	AM100-3-1
Check						middle	Description 2
Approv.							Ø100 Jalokaputki
Plot Date							Description 3
Mass							Material 1
							Fe52D
							Outline size
						Aerial Oy Tel. +358-9-2700 130 fax. +358-9-2810 210 Bm. 04001 Järvenpää Finland http://www.aerial.fi aerial@airtel.fi	
DWG							
Pääty: 1000mm/100mm, 100mm/100mm/100mm							

TELESCOPIC TUBE MAST AMTP100-76-1

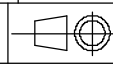


Type	AMTP100-76-1
Dimensions (H x W x D) (Ø x H)	See above drawing Tubes 76/100 mm
Weight	42 kg
Materials	Hot dip galvanized steel
Versions	-
Options	Height Color Material (Aluminium)



M12 kierreholkki
molemmilla puolilla

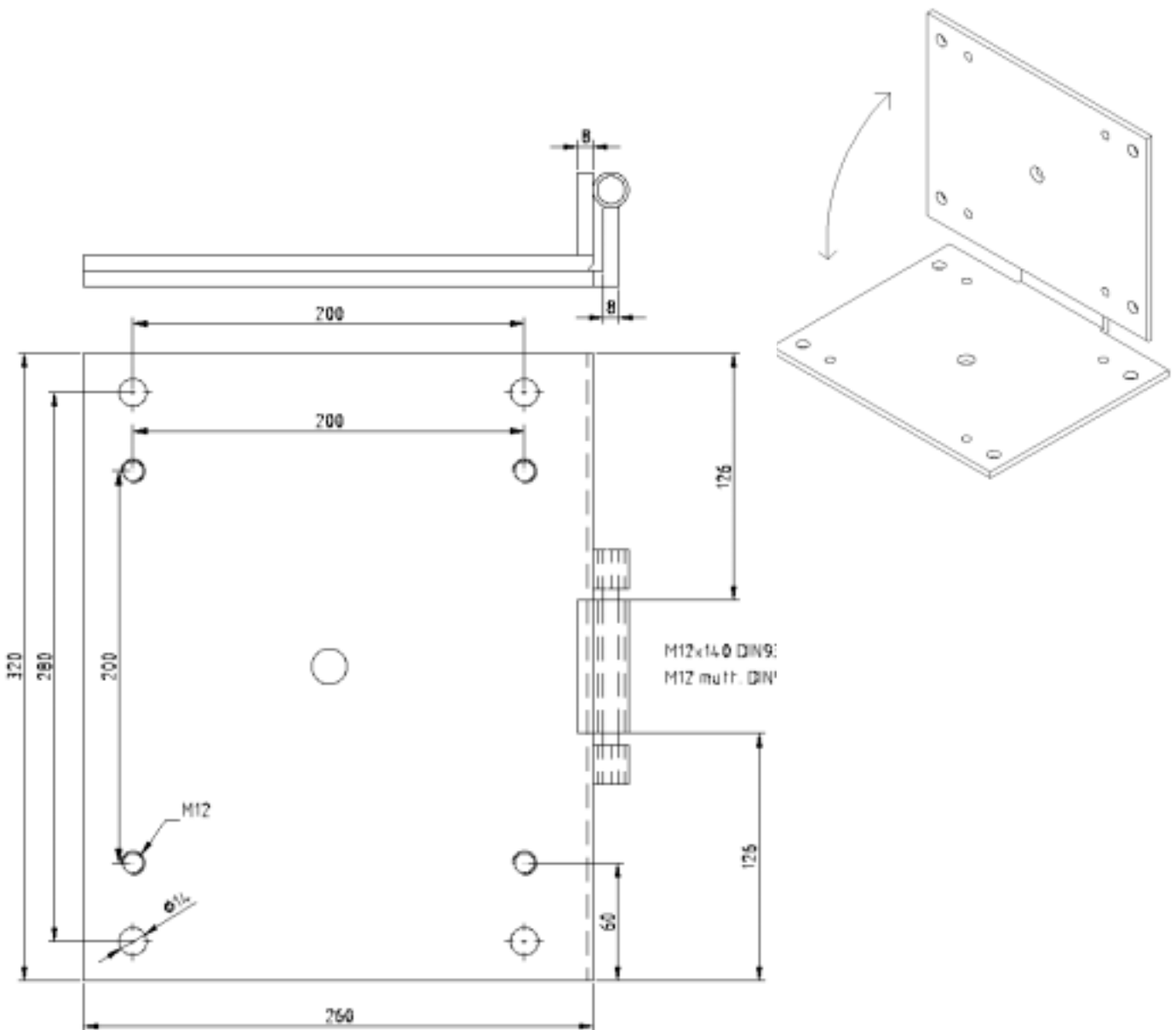
Design	26.2.2001	at	Scale	Associated with	Description 1
Drawn	26.2.2001	at	1:2	Tolerance class middle	Description 2
Check					Description 3
Approv.					Material 1
Plot Date					Outline size
Mass					



Aerial Oy
 Tel. +358-9-2780 120 Fax. +358-9-2810 210
 Box 22 04401 Järvenpää Finland
 http://www.aerial.fi aerial@airtel.fi

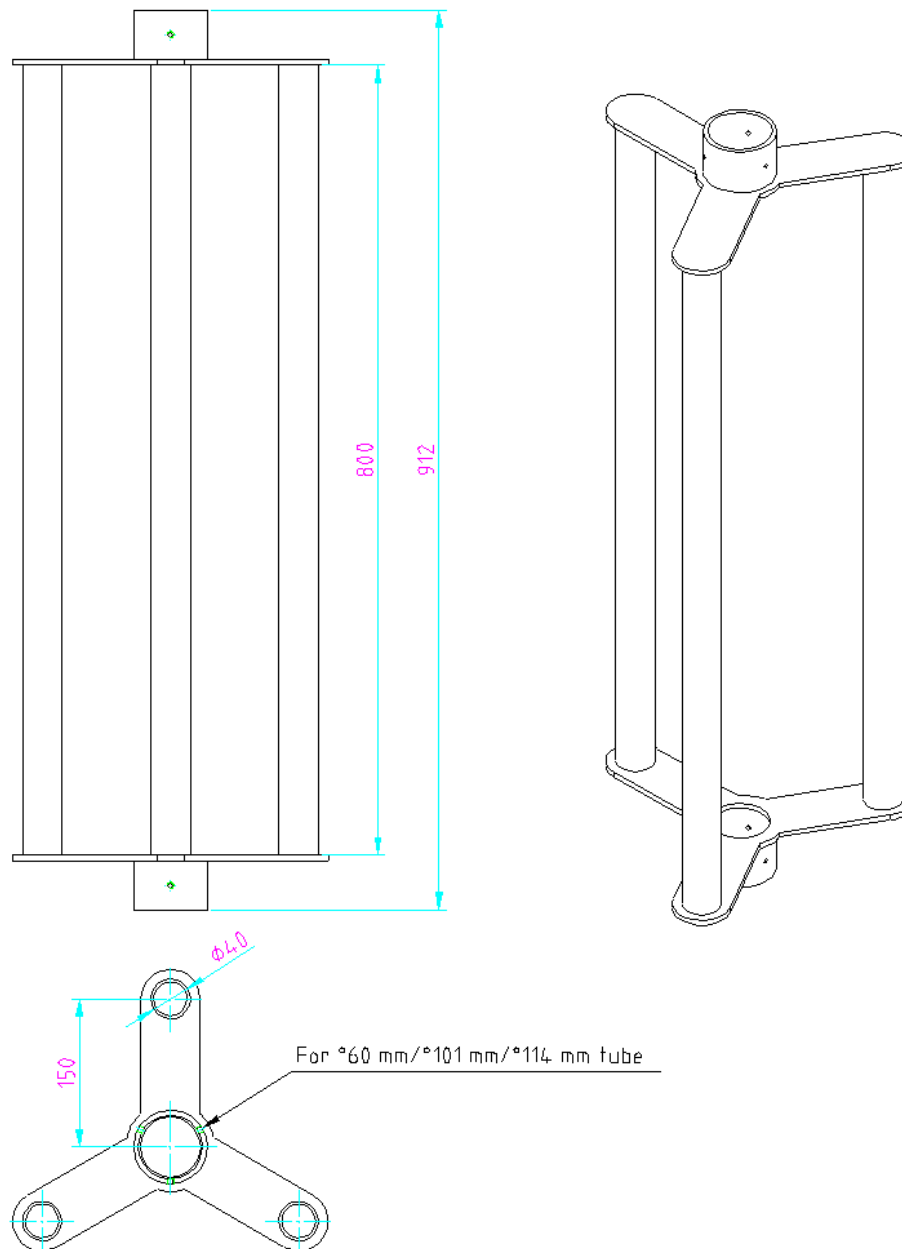
DWG
 KÄYTTÖ: OY KÄYTTÖKÄSIKIRJA OY KÄYTTÖKÄSIKIRJA OY KÄYTTÖKÄSIKIRJA OY

TUBE MAST BASE PLATE WITH TILT AMTPL250-1



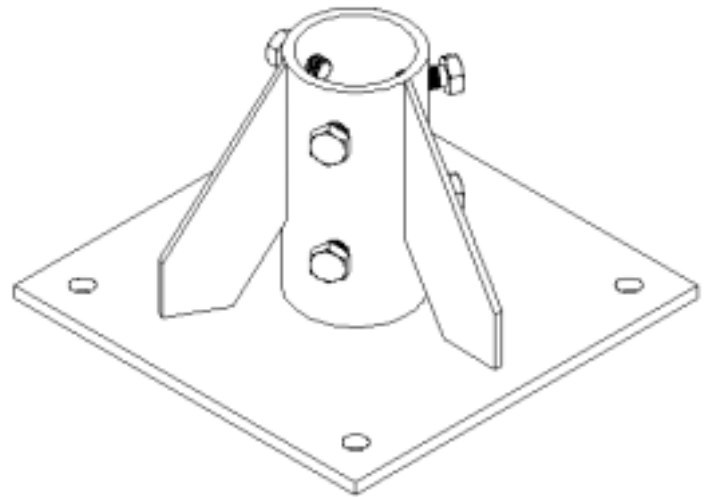
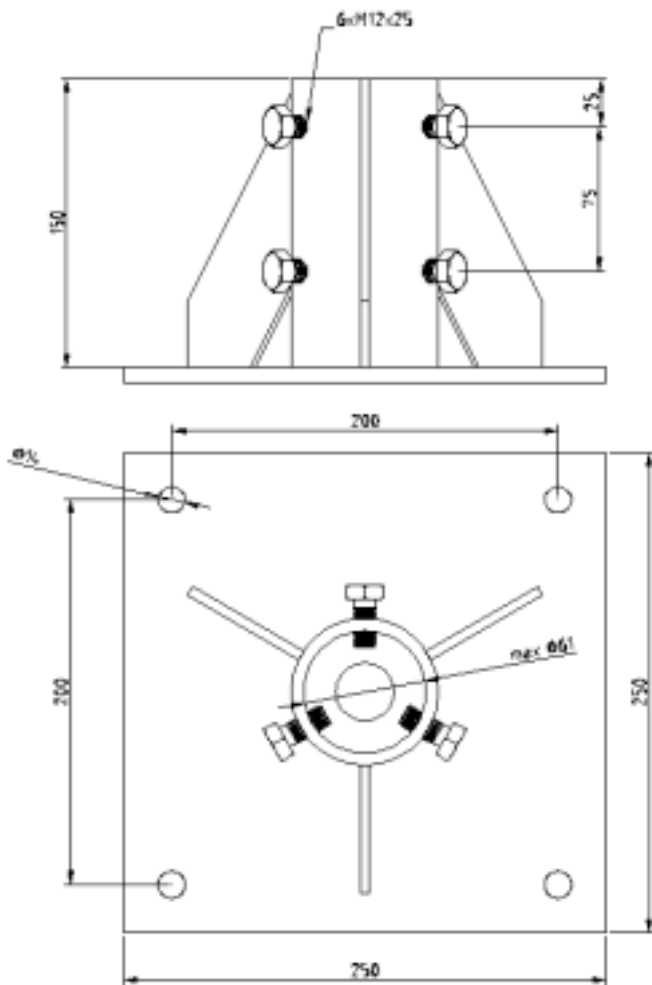
Type	AMTPL250-1
Dimensions (H x W x D) (Ø x H)	See above drawing
Weight	11 kg
Mounting diameter	For base plates AEF60 or AEF100, for tube masts
Materials	Hot dip galvanized steel
Versions	-
Options	-

ANTENNA MOUNTING FRAME FOR Ø 60, Ø 100 AND Ø 114 MM TUBES



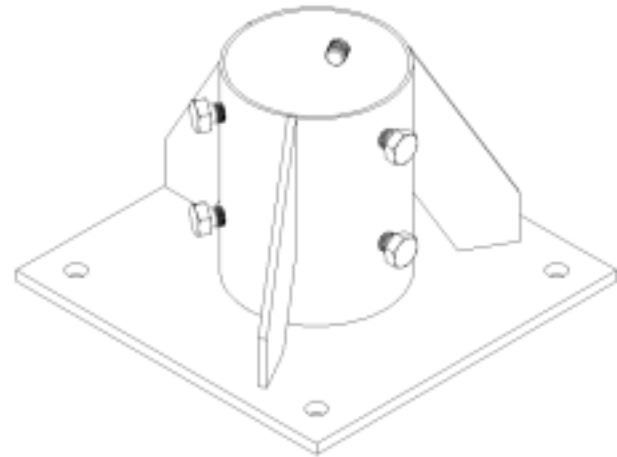
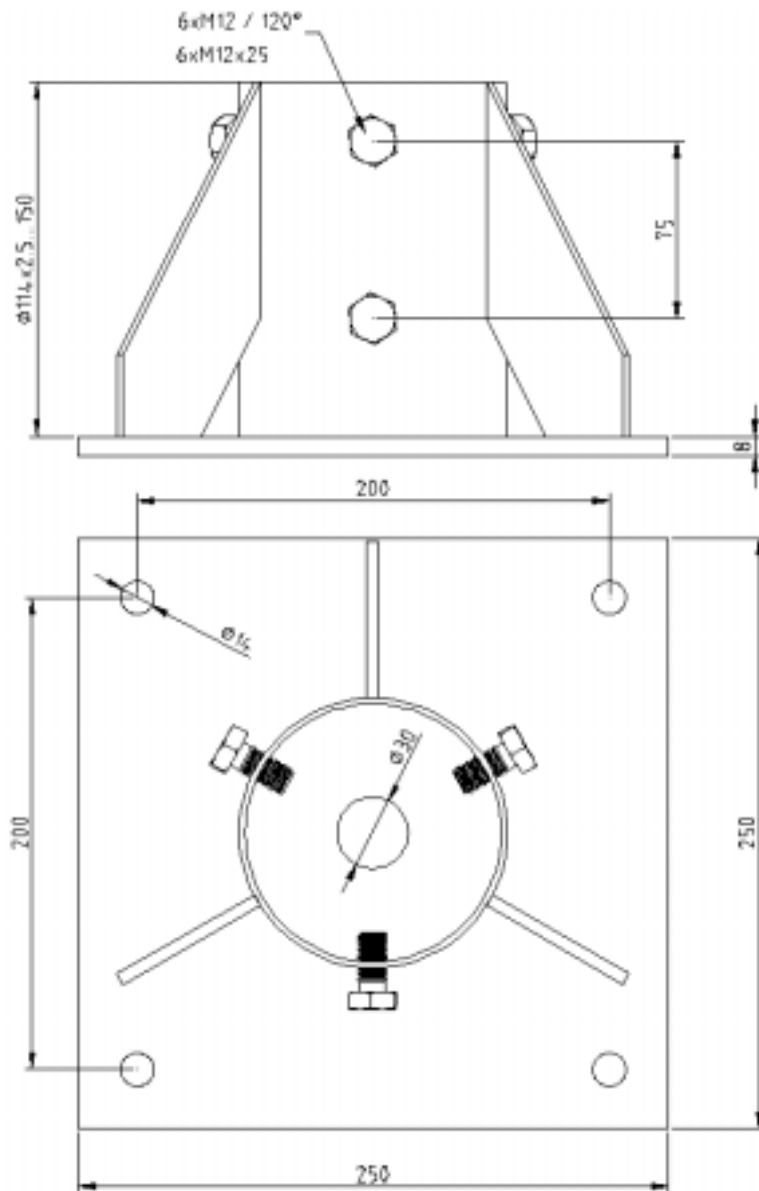
Type	AEMF120-800-1
Dimensions (H x W x D) (\varnothing x H)	260 X 260 X 800
Weight	3 kg
Mounting diameter	$\varnothing 60$, 100 or 114 mm pipe
Materials	Aluminium
Versions	Different lengths available
Options	Hot dip galvanised steel

TUBE MAST BASE PLATE AEF60-250-1

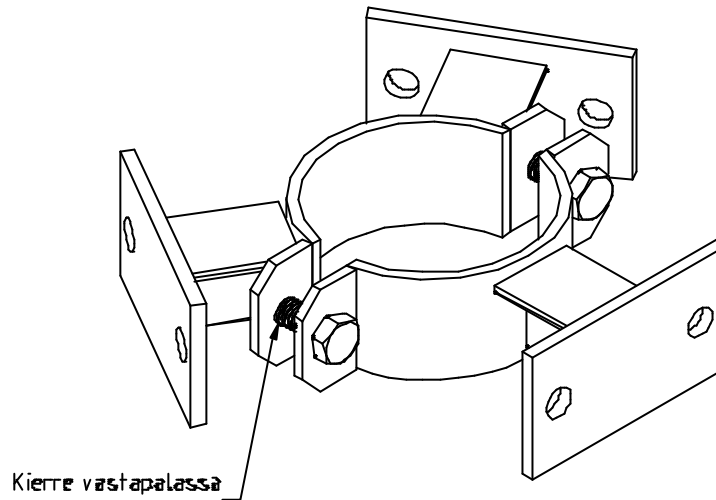
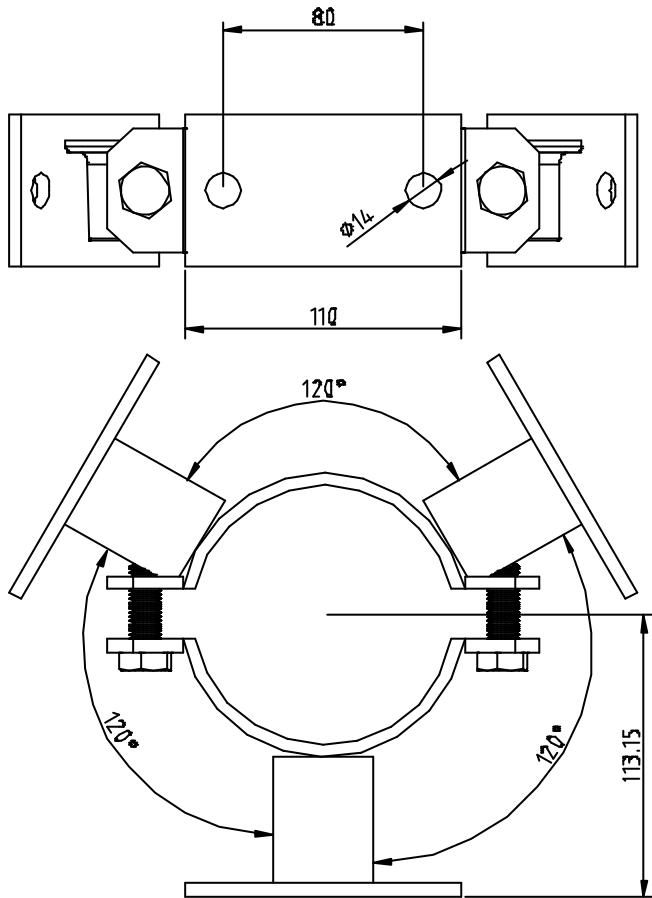


Type	AEF60-250-1
Dimensions (H x W x D) (Ø x H)	See above drawing
Weight	6.3 kg
Mounting diameter	30...60mm pipe
Materials	Hot dip galvanized steel
Versions	-
Options	-

TUBE MAST BASE PLATE AEF100-250-1



Type	AEF100-250-1
Dimensions (H x W x D) (Ø x H)	See above drawing
Weight	5.7 kg
Mounting diameter	60...100mm pipe
Materials	Hot dip galvanized steel
Versions	-
Options	-

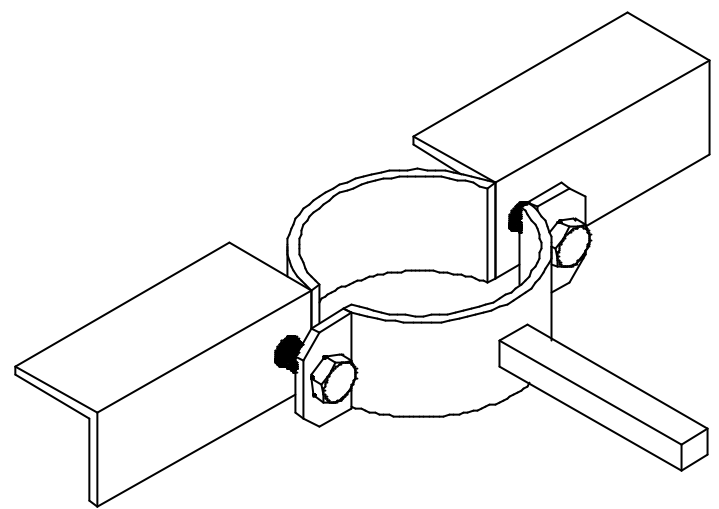
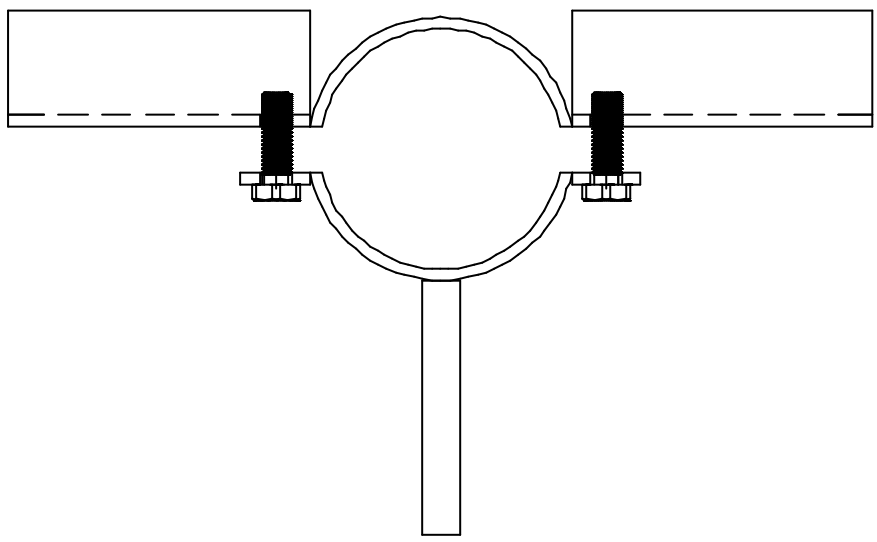
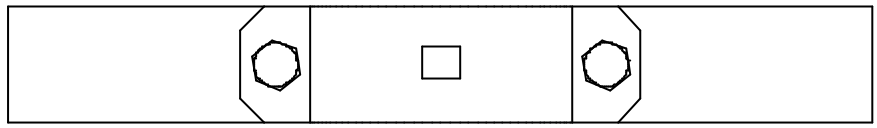


Design	25.1.2001	at	Scale	Associated with	Description 1
Drawn	25.1.2001	at	1:10	Tolerance class	Asennusosasto
Check				middle	Description 2
Approv.					Ø101 putkelle
Plot Date					Description 3
Mass					Material 1
Fe-versio 22kg, Al-versio 7kg					Fe37
DWG					Outline size
Drawing1.dwg					



1 2 3 4 5 6 7 8

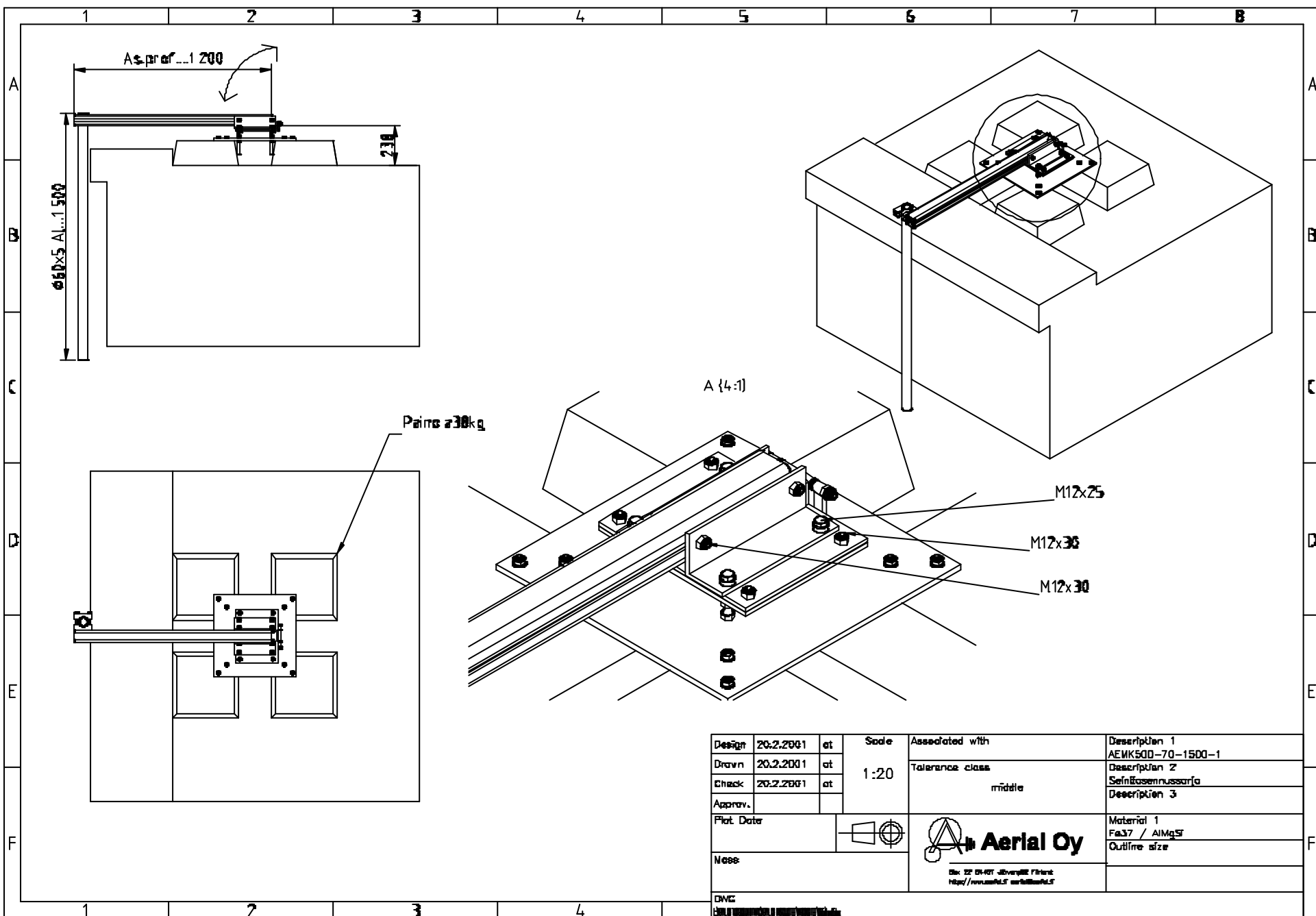
A
B
C
D
E
F



1 2 3 4

Design	25.1.2001	at	Scale	Associated with	Description 1
Drawn	25.1.2001	at	1:10	Tolerance class	Description 2
Check					middle
Approv.					
Plot Date					Material 1
Mass	Fe-verse 22kg, Al-verse 7kg			Fe37	
				Outline size	
DWG	Drawing1.dwg				

A
B
C
D
E
F

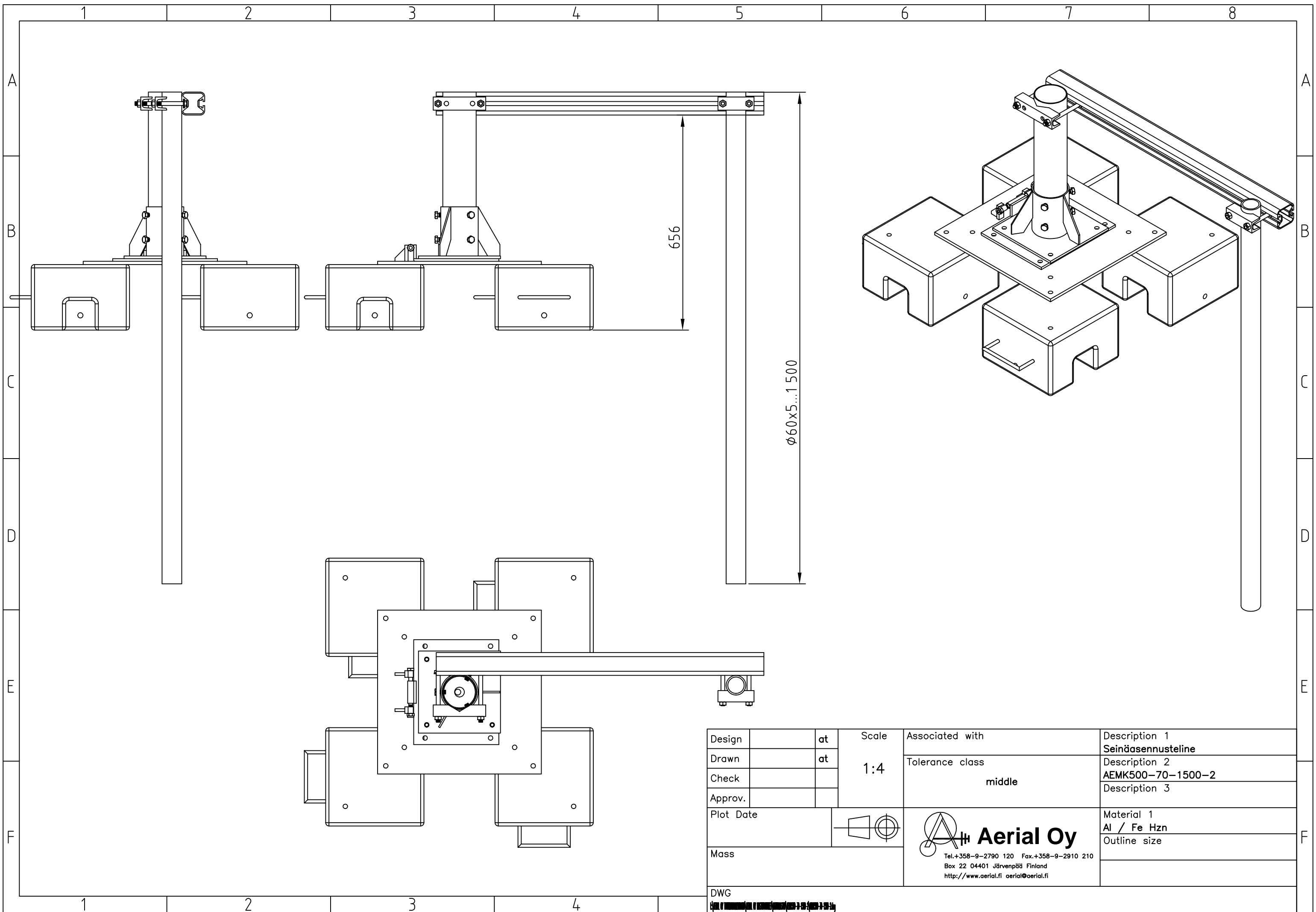



Design	20.2.2001	et	Scale	Associated with	Description 1
Drawn	20.2.2001	et	1:20	Tolerance class	AEM500-70-1500-1
Check	20.2.2001	et			middle
Approval					Señalassenussaria
Plot Date					Description 3
Notes					Material 1
					Fa37 / AlMgSi
					Outline size



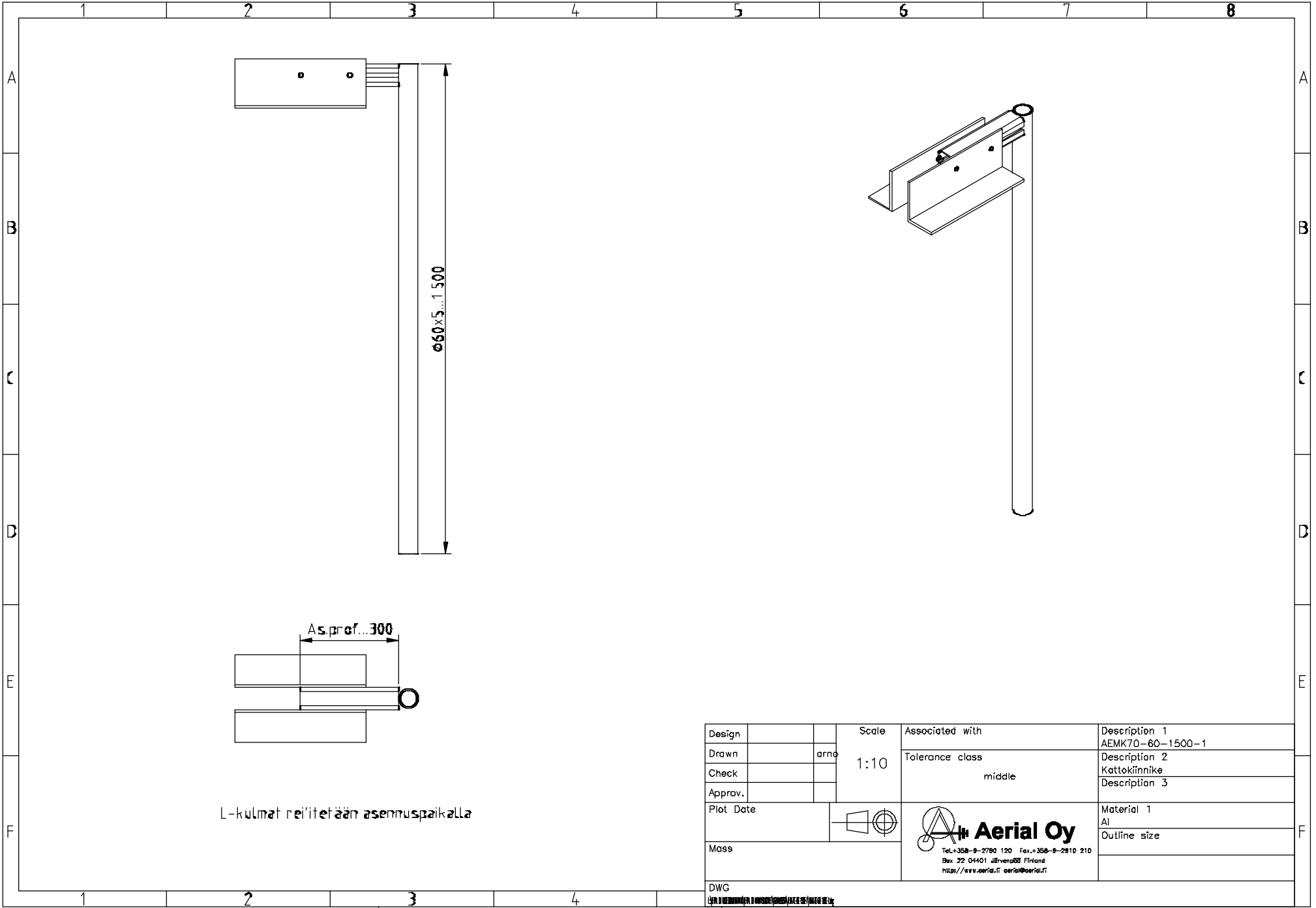
Box: 22 01-001 - Jämsäentie 11
<http://www.aerial.fi>

DWG
 1:20



Design	at	Scale 1:4	Associated with	Description 1
Drawn	at			Tolerance class
Check			middle	Description 2
Approv.				AEMK500-70-1500-2
Plot Date				Description 3
Mass			 Aerial Oy Tel.+358-9-2790 120 Fax.+358-9-2910 210 Box 22 04401 Järvenpää Finland http://www.aerial.fi aerial@airial.fi	Material 1
DWG				
				Outline size


DWG
© Aerial Oy 2004. All rights reserved. No part of this document may be reproduced without the written permission of Aerial Oy.

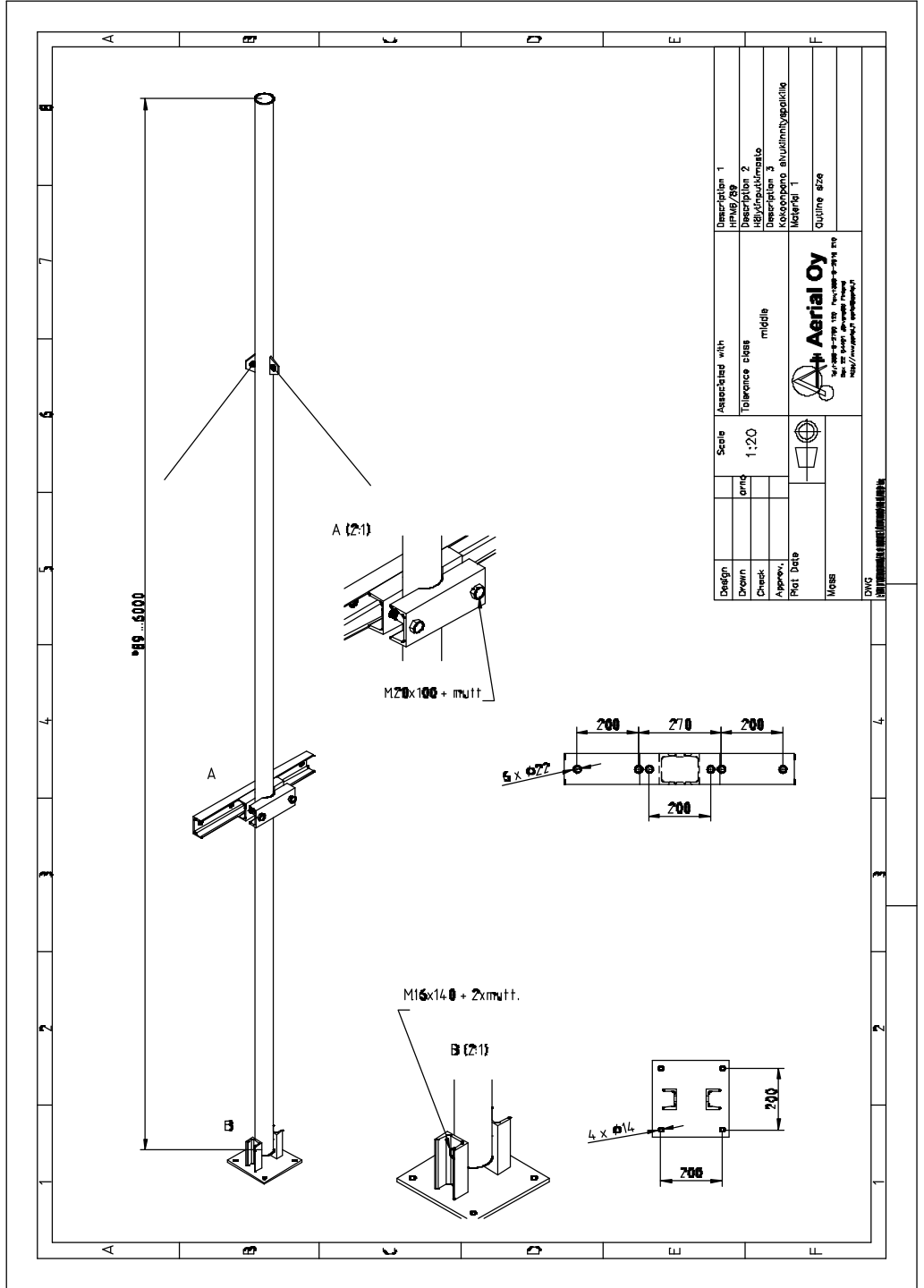


Ø60x5...1 500

As. prof... 300

L-kulmat rei'itetään asennuspaikalla

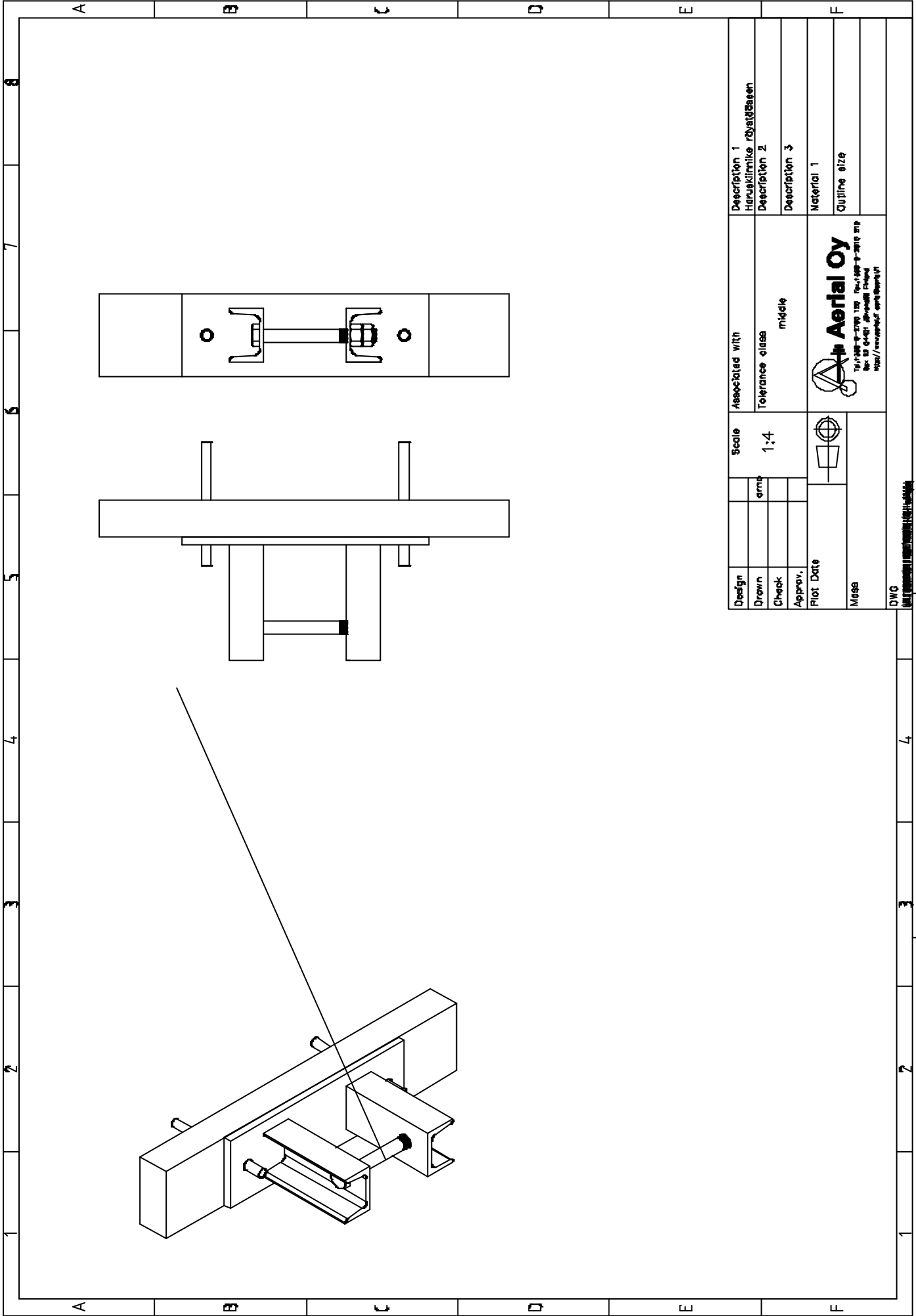
Design		Scale	Associated with	Description 1
Drawn	arno	1:10	Tolerance class	AEMK70-60-1500-1
Check			middle	Description 2
Approv.				Kattokinnike
Plot Date				Description 3
Mass				Material 1
				Al
				Outline size
DWG				
 Aerial Oy Tel. +358-9-2780 120 Fax. +358-9-2810 210 Box 22 04401 Järvenpää Finland http://www.aerial.fi aerial@aal.fi				




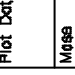


Design	Scale	Associated with	Description 1
Drawn	1:20	midde	HRM/299
Check			Description 2
Approved			idjy/ijubimato
Plot Date			Description 3
Mass			rovopomp avudimnyapucile
			Material 1
			Outline size

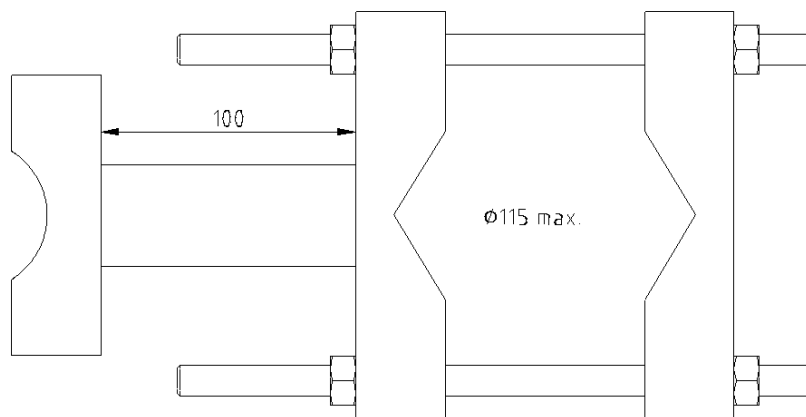
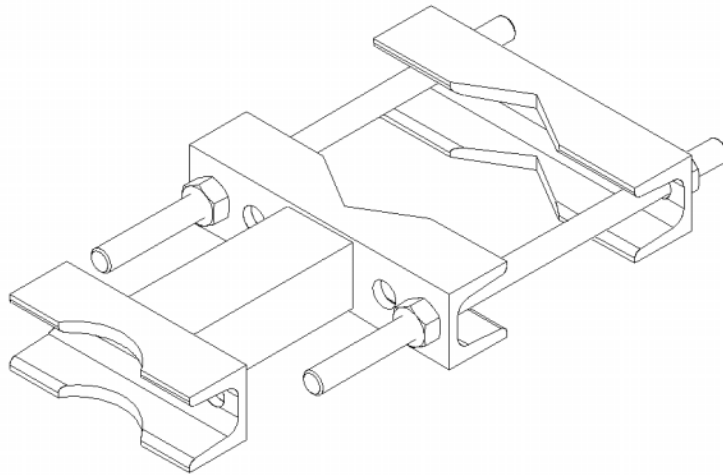


DWG
 1:20
 HRM/299



Design	Scale	Associated with	Description 1
Drawn	emp	Tolerance class	Haukkimike räystäminen
Check	1:4	middle	Description 2
Approv.			Description 3
Plot Date			Material 1
Miss			Outline size
 Aerial Oy <small>Tuulivoimavälineiden ja -laitteiden valmistaja</small> <small>www.aerial.fi</small>		Description 1	
		Description 2	
		Description 3	
		Material 1	
		Outline size	
DWG			

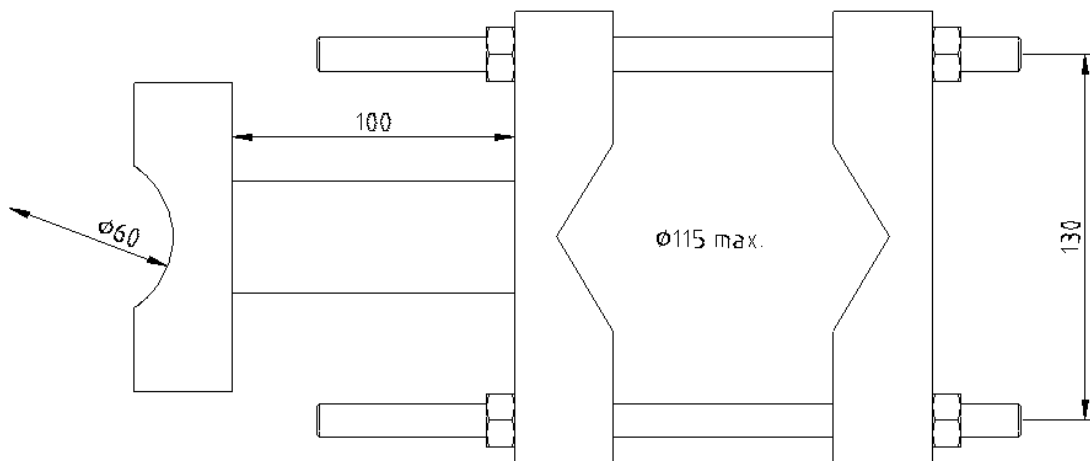
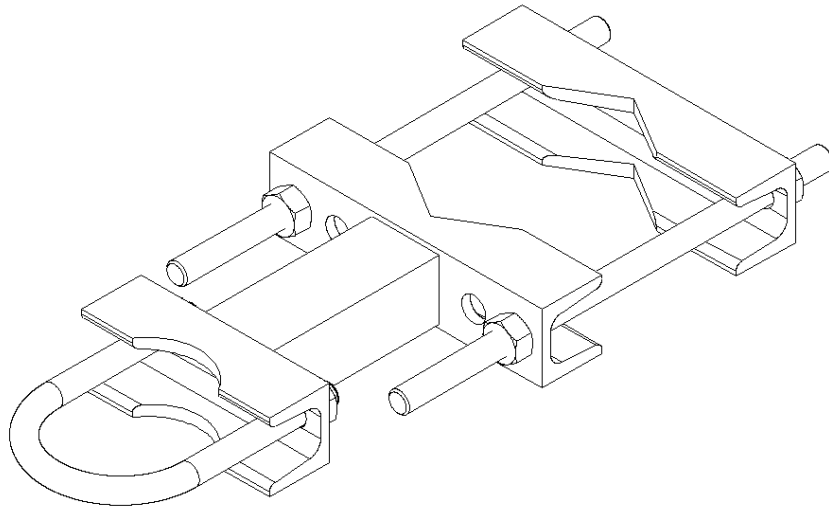
TUBE MOUNTING SET AETMXXX-60-115-1



Parts list	pcs
U40-160 clamp	1
U40-XXX-110-160-1 clamp	1
M12x250 headless screw	2
M12 nut	4

Type	AETMXXX-60-115-1
Dimensions (H x W x D) (Ø x H)	See above drawing XXX=bracket length (100 in picture)
Weight	2.8 kg (100mm bracket)
Mounting diameter	max Ø150 mm pipe Ø60 mm mounting pipe
Materials	Hot dip galvanized steel
Versions	-Bracket length (100,300,500mm in stock)
Options	-

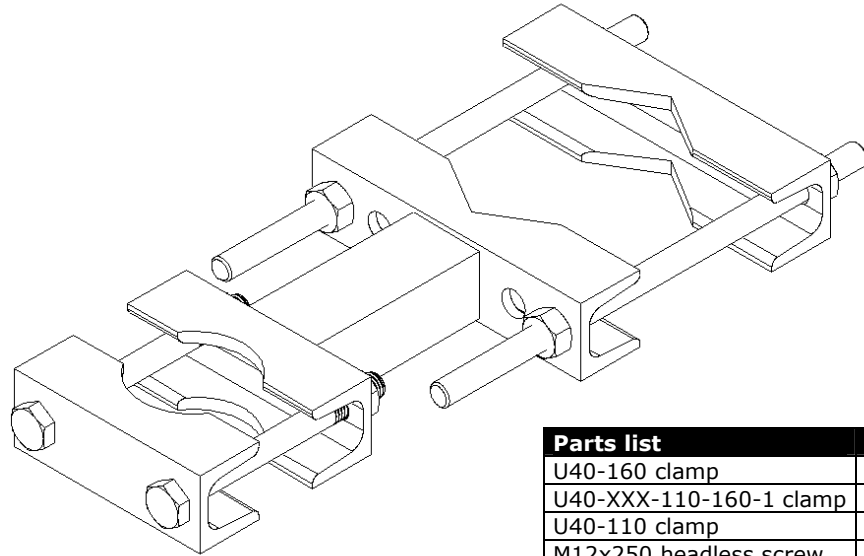
TUBE MOUNTING SET AETMXXX-60-115-2



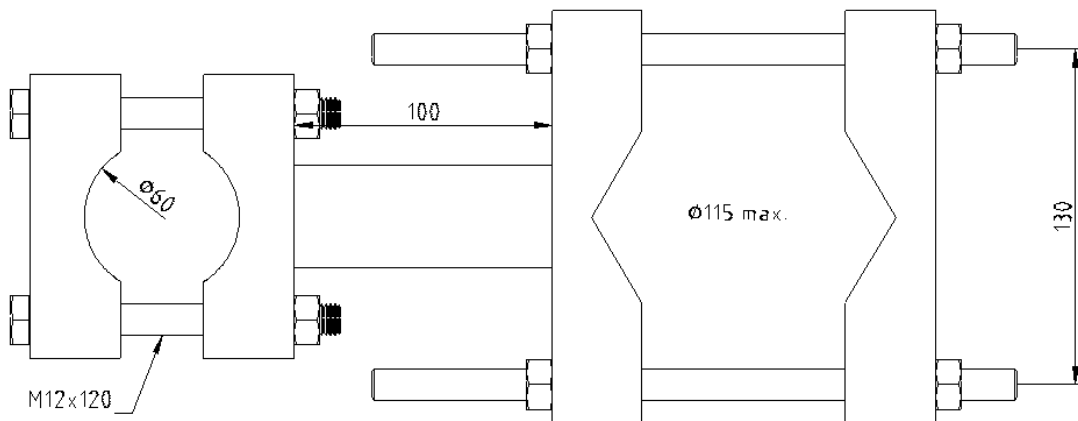
Parts list	pcs
U40-160 clamp	1
U40-XXX-110-160-1 clamp	1
U12-80 U-screw	1
M12x250 headless screw	2
M12 nut	6

Type	AETMXXX-60-115-2
Dimensions (H x W x D) (ϕ x H)	See above drawing XXX=bracket length (100 in picture)
Weight	3.1 kg (100mm bracket)
Mounting diameter	max $\phi 150$ mm pipe $\phi 60$ mm mounting pipe
Materials	Hot dip galvanized steel
Versions	-Bracket length (100,300,500mm in stock)
Options	-

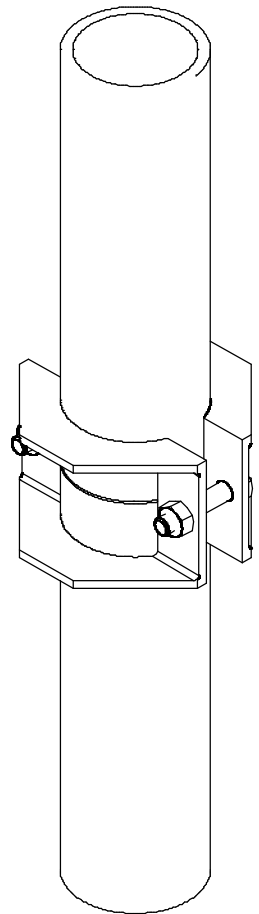
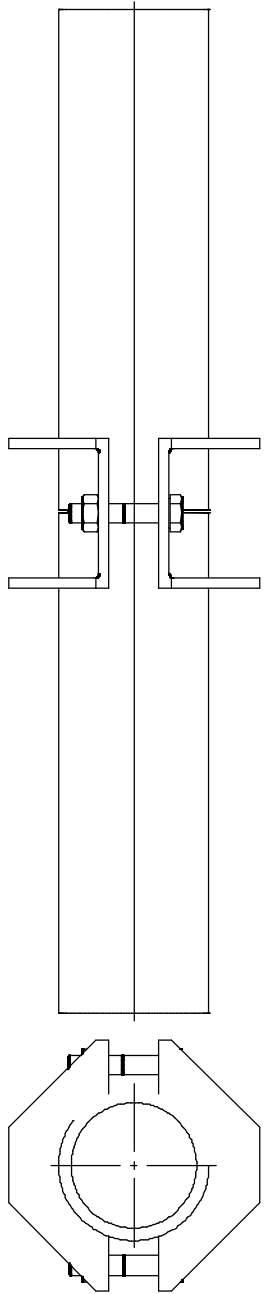
TUBE MOUNTING SET AETMXXX-60-115-3



Parts list	pcs
U40-160 clamp	1
U40-XXX-110-160-1 clamp	1
U40-110 clamp	1
M12x250 headless screw	2
M12x120 screw	2
M12 nut	6



Type	AETMXXX-60-115-3
Dimensions (H x W x D) (ϕ x H)	See above drawing XXX=bracket length (100 in picture)
Weight	3.1 kg (100mm bracket)
Mounting diameter	max $\phi 150$ mm pipe $\phi 60$ mm mounting pipe
Materials	Hot dip galvanized steel
Versions	-Bracket length (100,300,500mm in stock)
Options	-

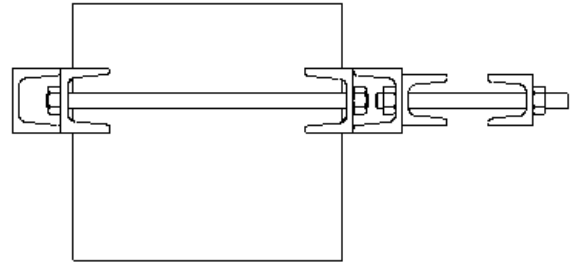
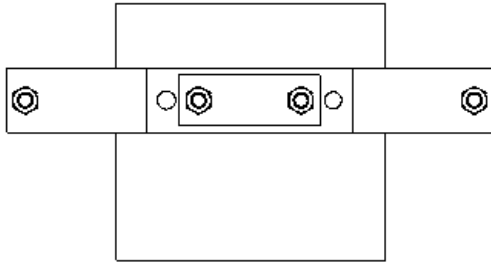


Design		Scale	Associated with	Description 1
Drawn	arno	1:2	Tolerance class	Jatka 60-60
Check			middle	Description 2
Approv.				Description 3
Plot Date				Material 1
Mass				Outline size
DWG				

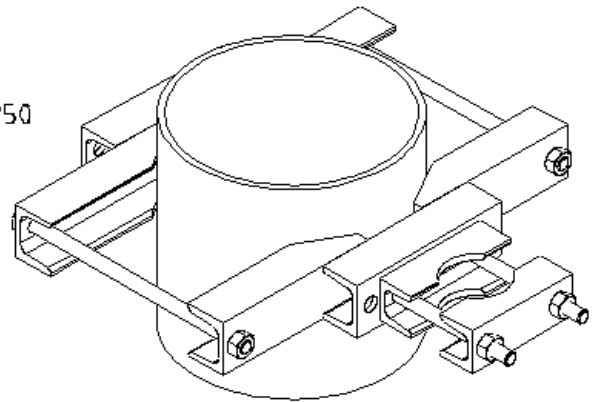
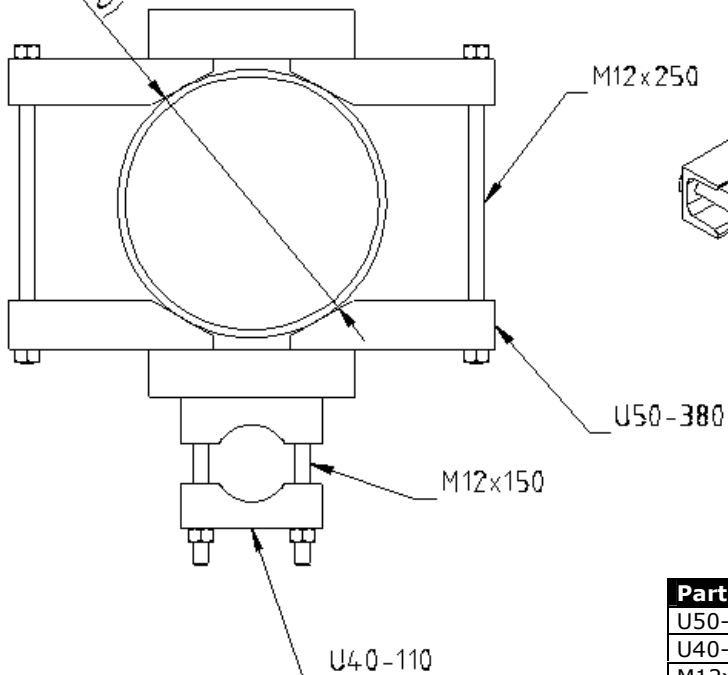


LEIKKI OY
 LEIKKI OY
 LEIKKI OY

TUBE MOUNTING SET AETM50-200-110-1



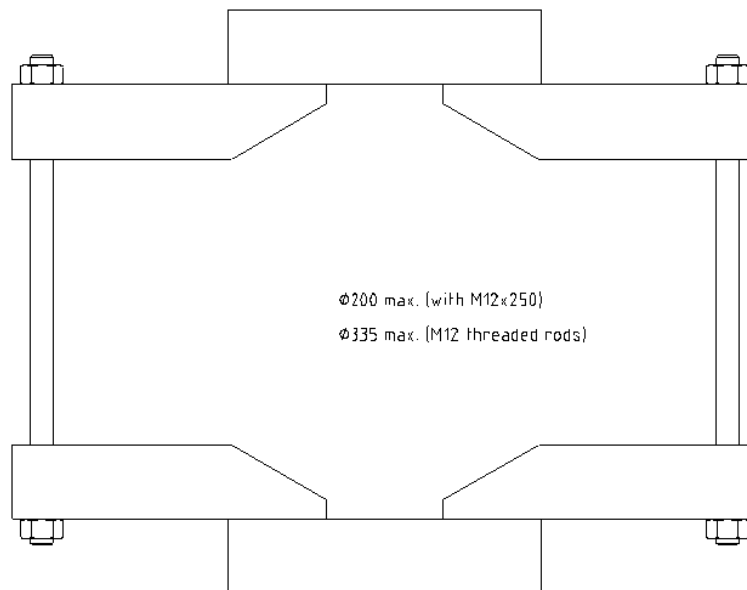
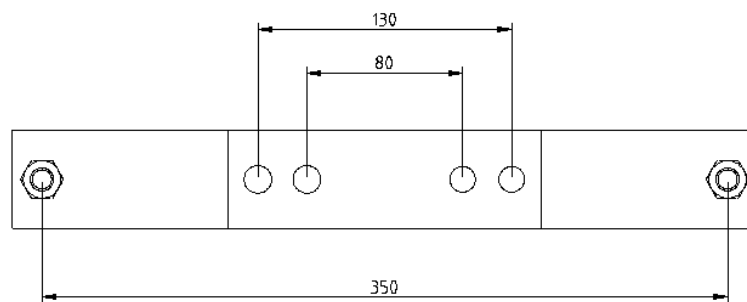
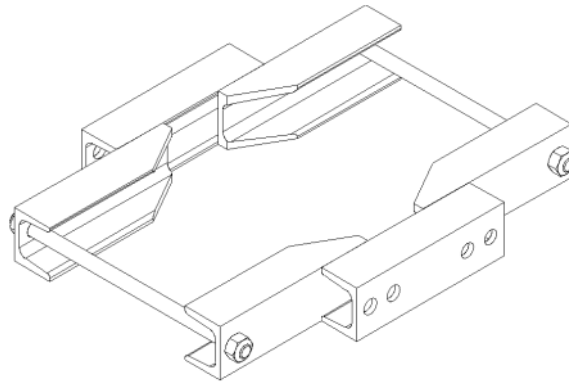
$\varnothing 210$ (max with M12x250)



Parts list	pcs
U50-380 clamp	2
U40-110 clamp	2
M12x250 headless screw	2
M12x150 headless screw	2
M12 nut	8

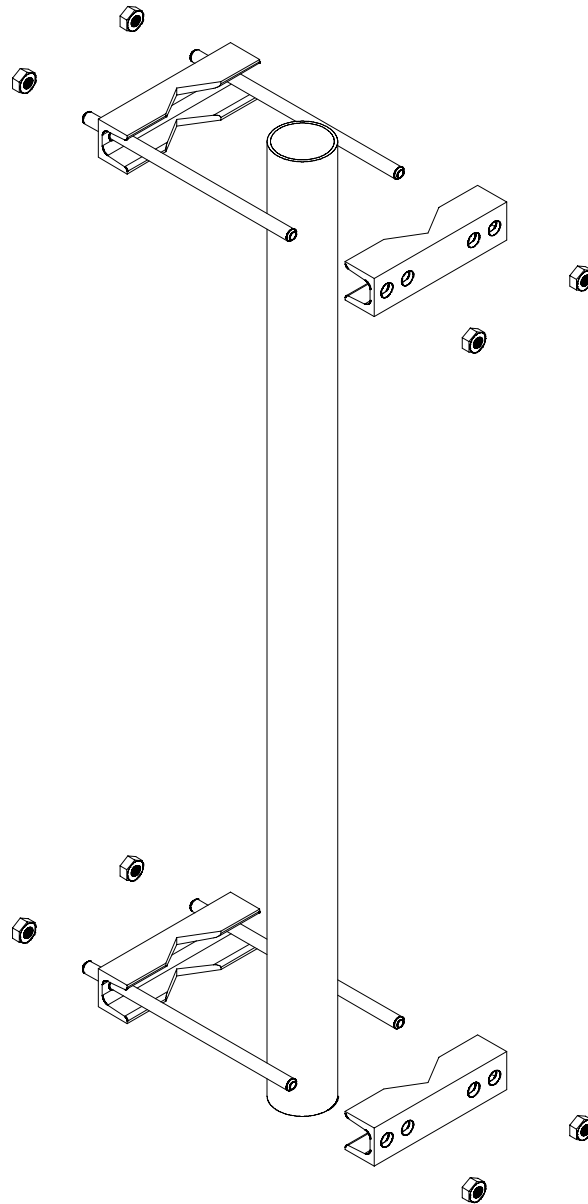
Type	AETM50-200-110-1
Dimensions (H x W x D) (\varnothing x H)	See above drawing
Weight	6.8 kg
Mounting diameter	See above drawing
Materials	Hot dip galvanized steel
Versions	-
Options	-

TUBE MOUNTING SET AETM50-380-1



Type	AETM50-380-1
Dimensions (H x W x D) (\varnothing x H)	See above drawing
Weight	5.5 kg
Mounting diameter	See above drawing
Materials	Hot dip galvanized steel
Versions	-
Options	-

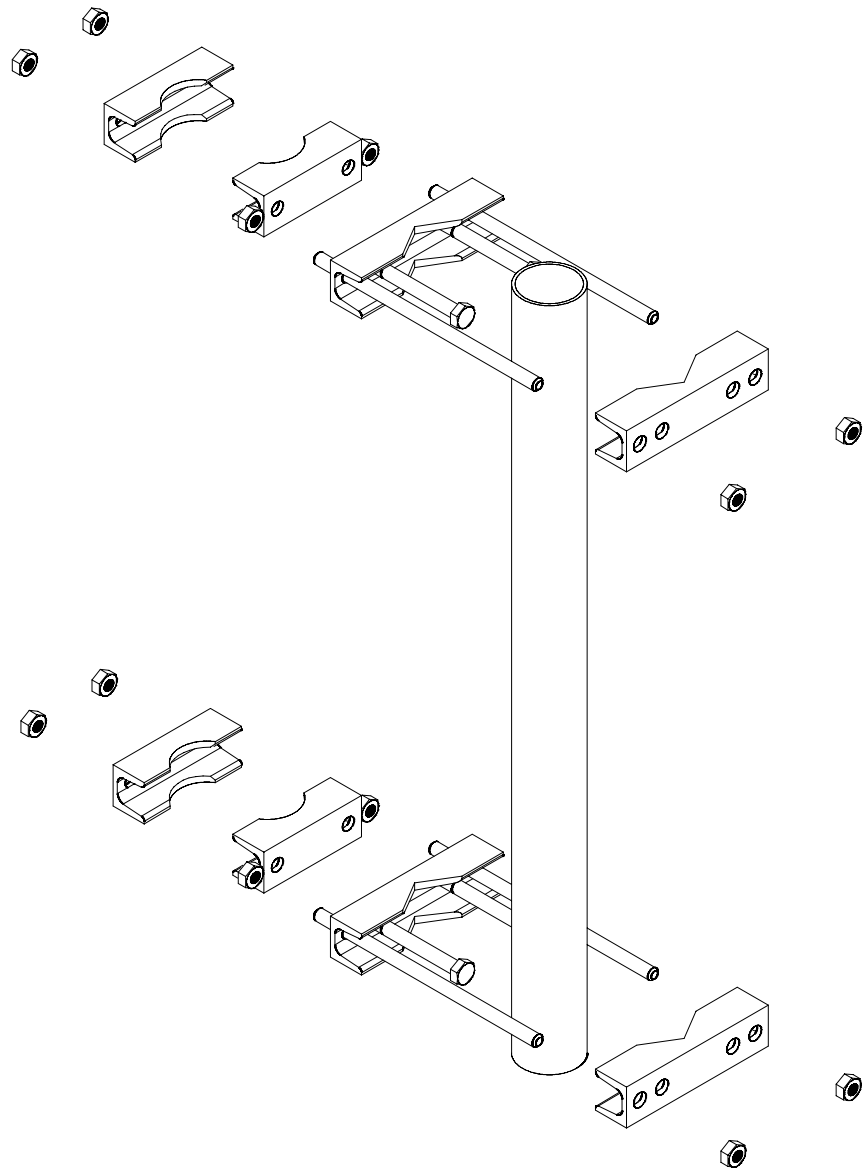
ANTENNA MOUNTING SET AETM160-1



Parts list	pcs
U40-160 clamp	4
M12x250 headless screw	4
M12 nut	8

Type	AETM160-1
Dimensions (H x W x D) (Ø x H)	See above drawing (pipe not included)
Weight	1,9 kg per point
Mounting diameter	50...115 mm pipe
Materials	Hot dip galvanized steel
Versions	-
Options	-

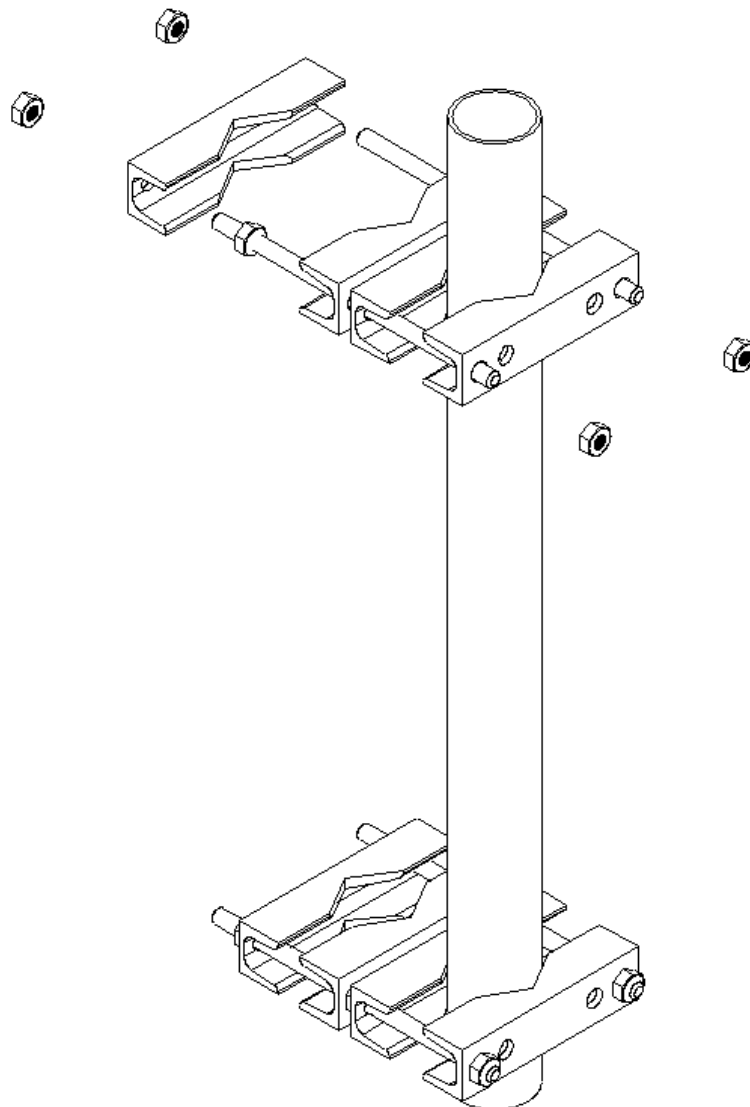
ANTENNA MOUNTING SET AETM160-2



Parts list	pcs
U40-160 clamp	4
U40-110 clamp	4
M12x250 headless screw	4
M12x100 screw	4
M12 nut	12

Type	AETM160-2
Dimensions (H x W x D) (Ø x H)	See above drawing (pipe not included)
Weight	1,9 kg per point
Mounting diameter	50...115 mm pipe 60 mm mounting pipe
Materials	Hot dip galvanized steel
Versions	-
Options	-

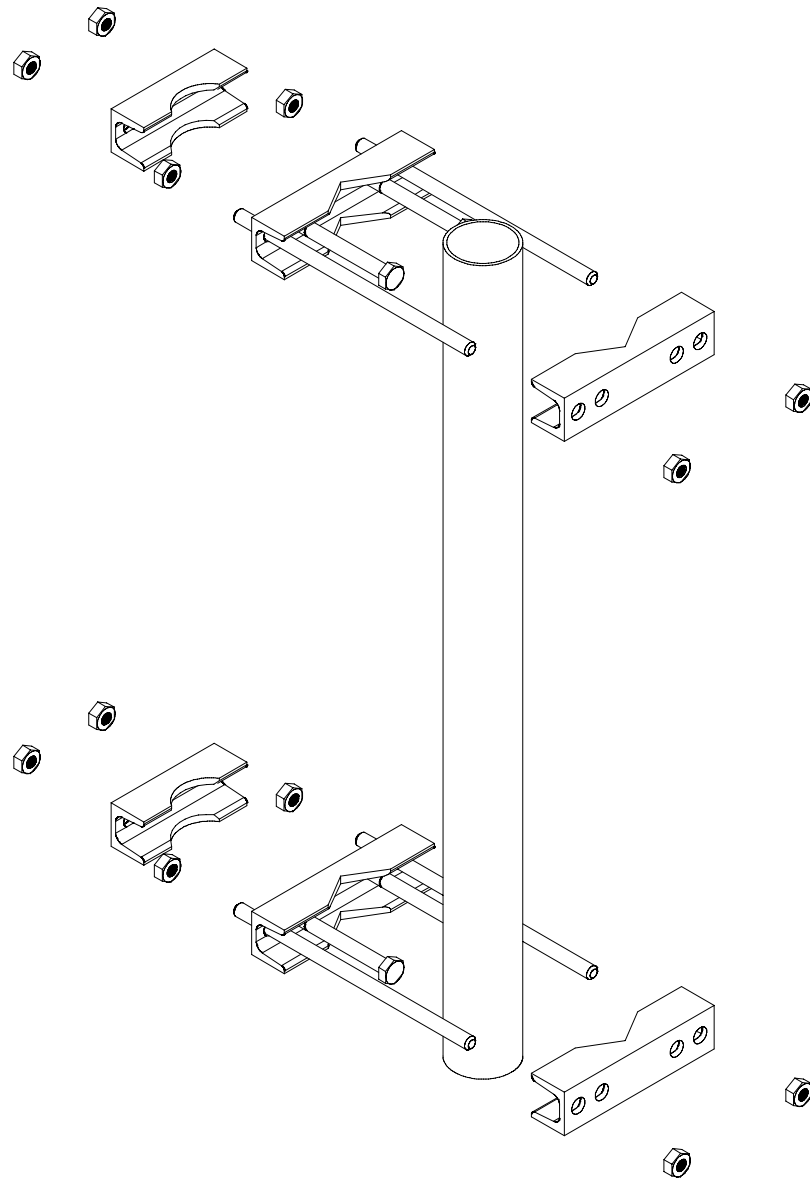
ANTENNA MOUNTING SET AETM160-3



Parts list	pcs
U40-160 clamp	8
M12x250 headless screw	4
M12 nut	16

Type	AETM160-3
Dimensions (H x W x D) (Ø x H)	See above drawing (pipe not included)
Weight	3.5 kg per point
Mounting diameter	50...115 mm pipe 50...115 mm mounting pipe
Materials	Hot dip galvanized steel
Versions	-
Options	-

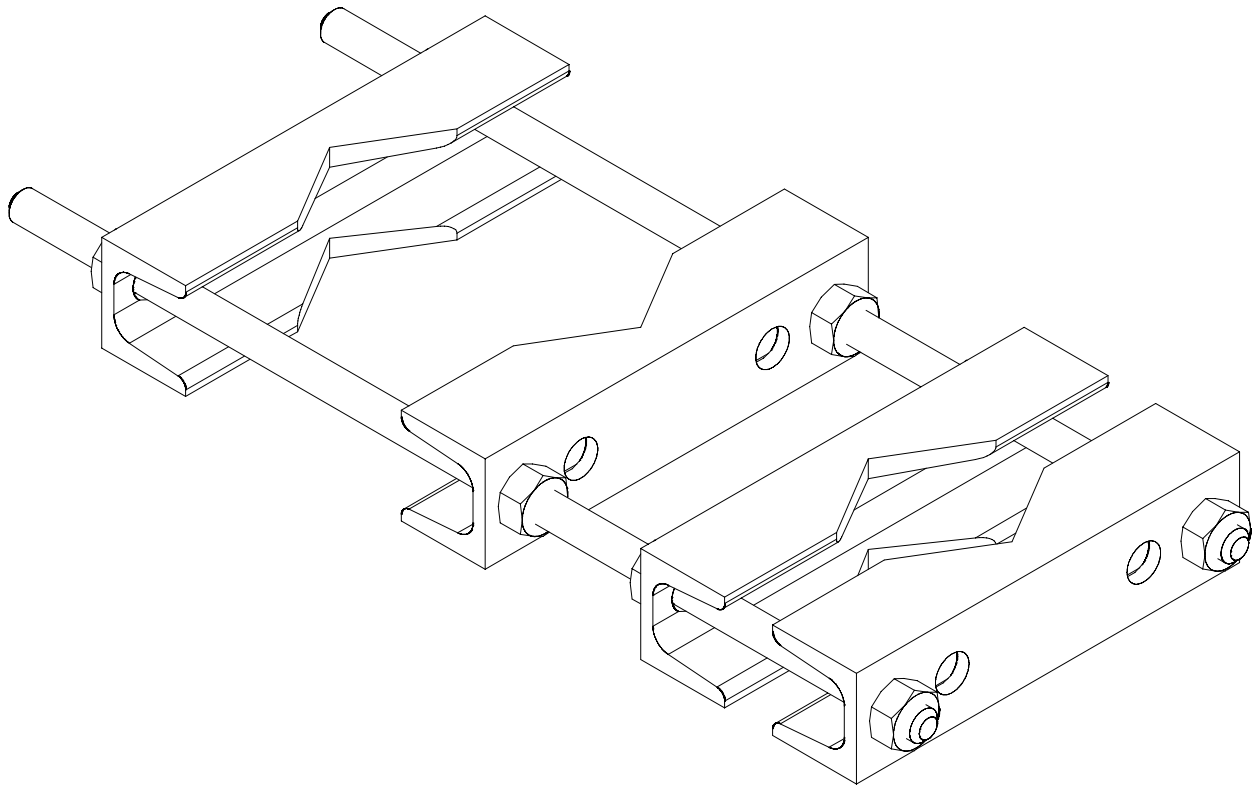
ANTENNA MOUNTING SET AETM160-4



Parts list	pcs
U40-160 clamp	4
U40-110 clamp	2
M12x250 headless screw	4
M12x100 screw	4
M12 nut	12

Type	AETM160-4
Dimensions (H x W x D) (Ø x H)	See above drawing (pipe not included)
Weight	2,6 kg per point
Mounting diameter	50...115 mm pipe 60mm mounting pipe
Materials	Hot dip galvanized steel
Versions	-
Options	-

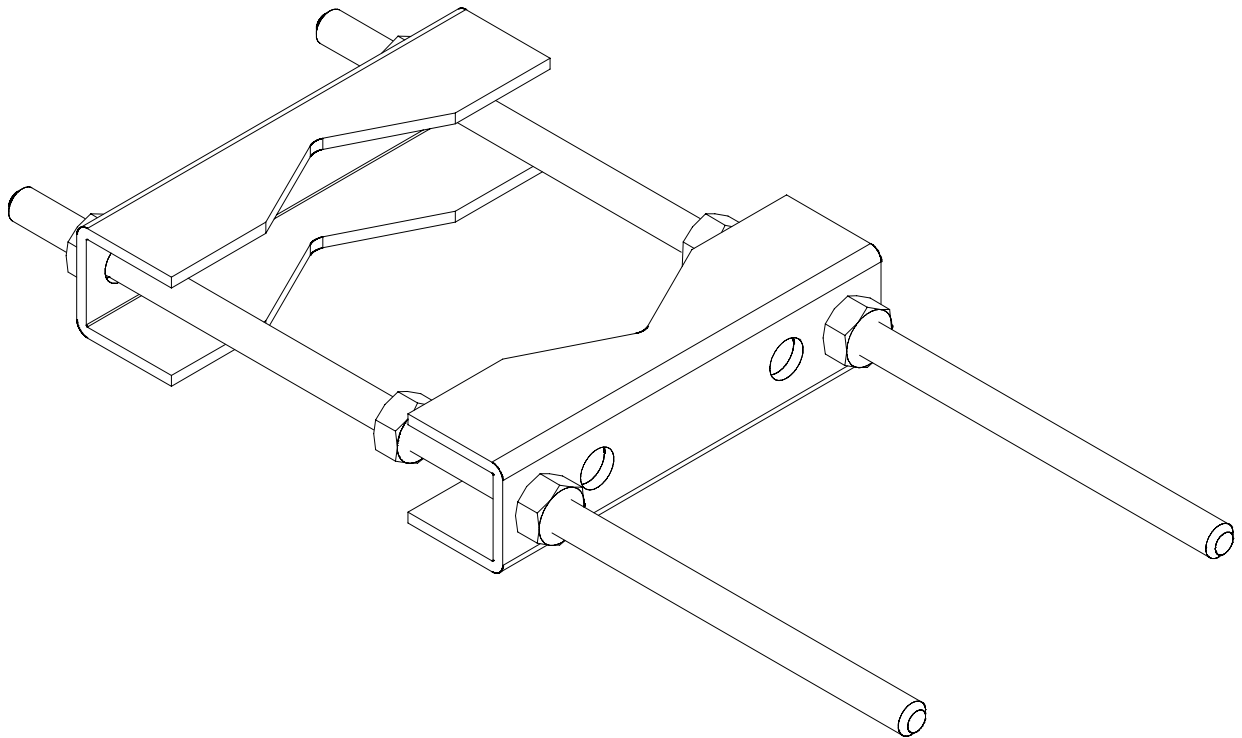
ANTENNA MOUNTING SET AETM160-5



Parts list	pcs
U40-160 clamp	4
M12x250 headless screw	2
M12 nut	8

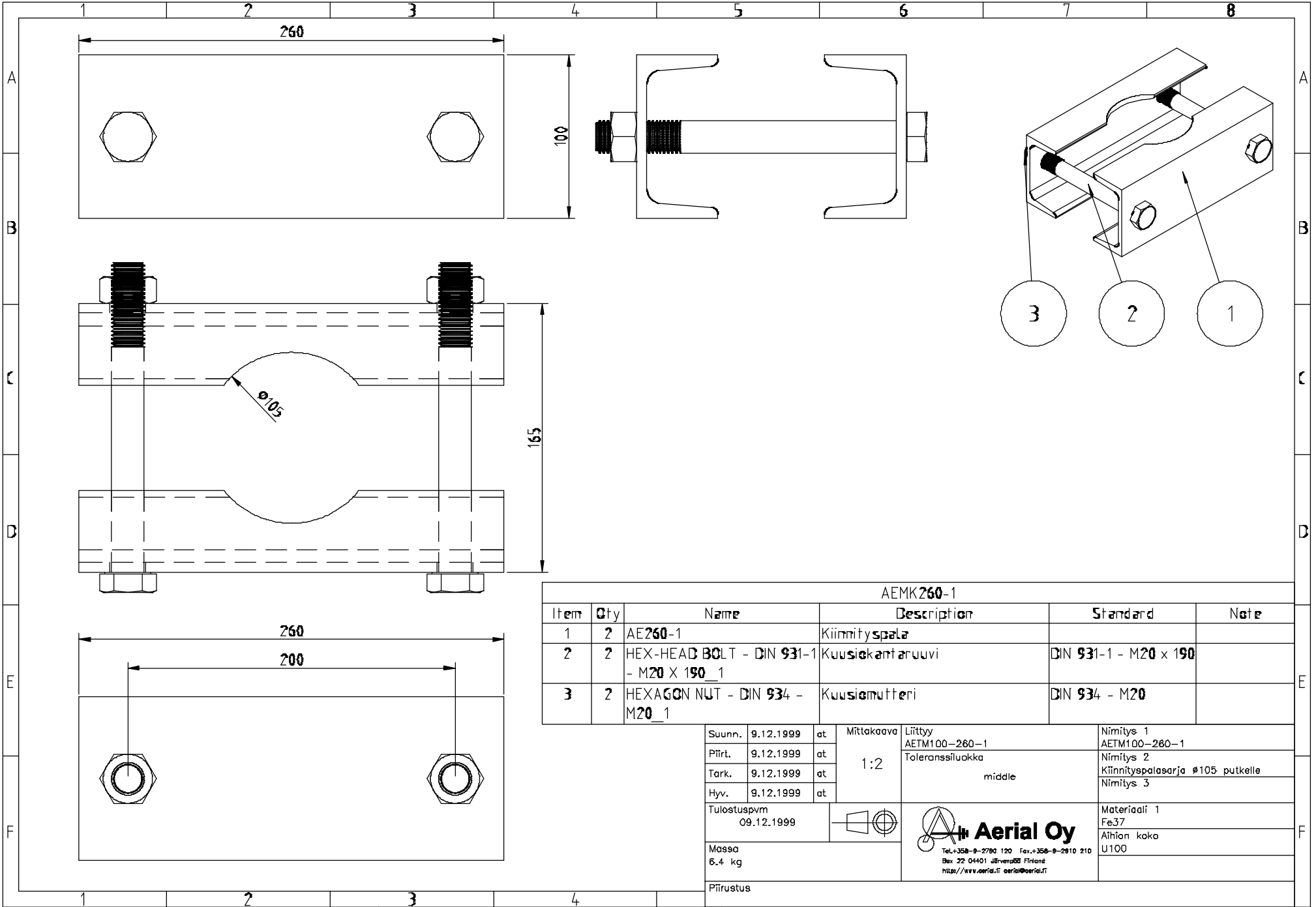
Type	AETM160-5
Dimensions (H x W x D) (Ø x H)	See above drawing
Weight	1,9 kg
Mounting diameter	50...115 mm pipe
Materials	Hot dip galvanized steel
Versions	-
Options	-

ANTENNA MOUNTING SET AETM160-6



Parts list	pcs
U40-160L clamp	2
M12x250 headless screw	2
M12 nut	6

Type	AETM160-1
Dimensions (H x W x D) (Ø x H)	See above drawing
Weight	1,0 kg per point
Mounting diameter	50...115 mm pipe
Materials	Hot dip galvanized steel
Versions	-
Options	-

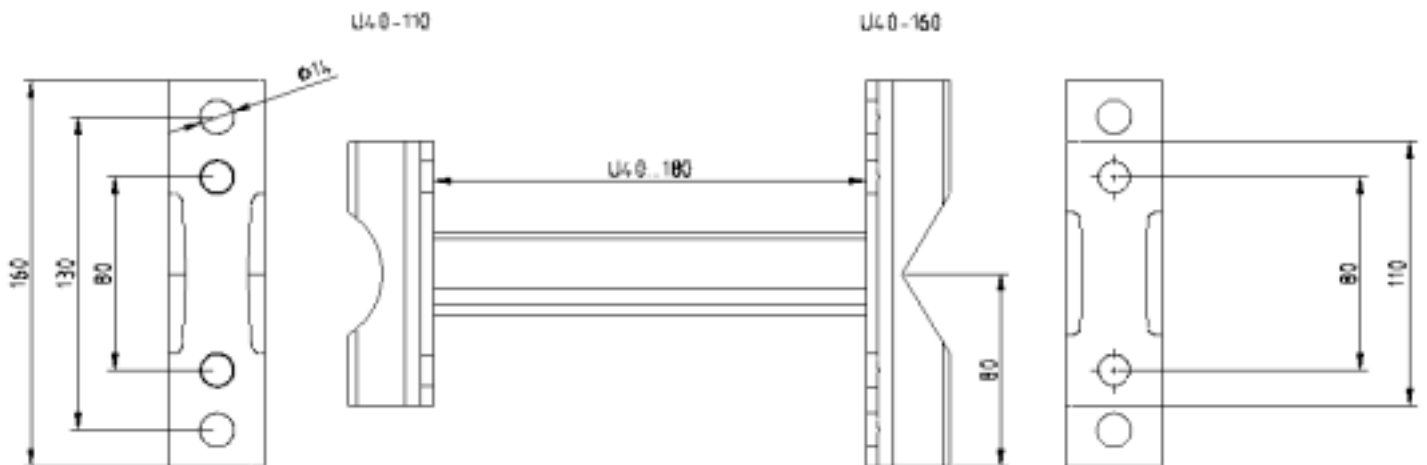
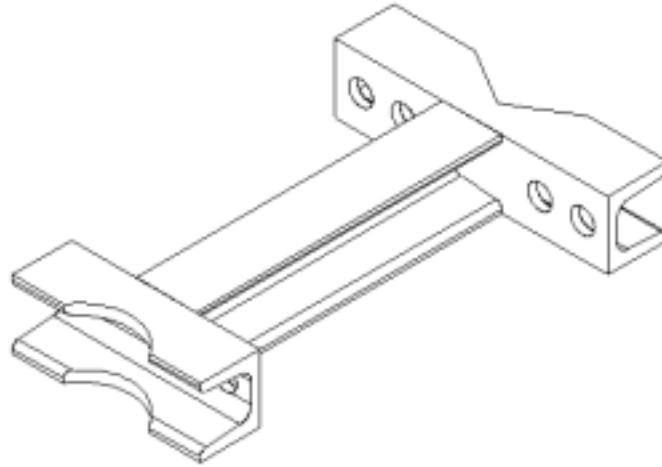


AEMK260-1					
Item	Qty	Name	Description	Standard	Note
1	2	AE260-1	Kiinnityspala		
2	2	HEX-HEAD BOLT - DIN 931-1 - M20 X 190_1	Kuusiekantaruuvi	DIN 931-1 - M20 x 190	
3	2	HEXAGON NUT - DIN 934 - M20_1	Kuusimutteri	DIN 934 - M20	

Suunn.	9.12.1999	at	Mittakaava	Liitty	AETM100-260-1	Nimitys 1	AETM100-260-1
Piirt.	9.12.1999	at	1:2	Toleranssiluokka		Nimitys 2	
Tark.	9.12.1999	at			middle		Kiinnityspalasarja Ø105 putkelle
Hyv.	9.12.1999	at				Nimitys 3	
Tulostuspvm	09.12.1999					Materiaali 1	Fe37
Massa	6.4 kg					Aihjon koko	U100
Piirustus							

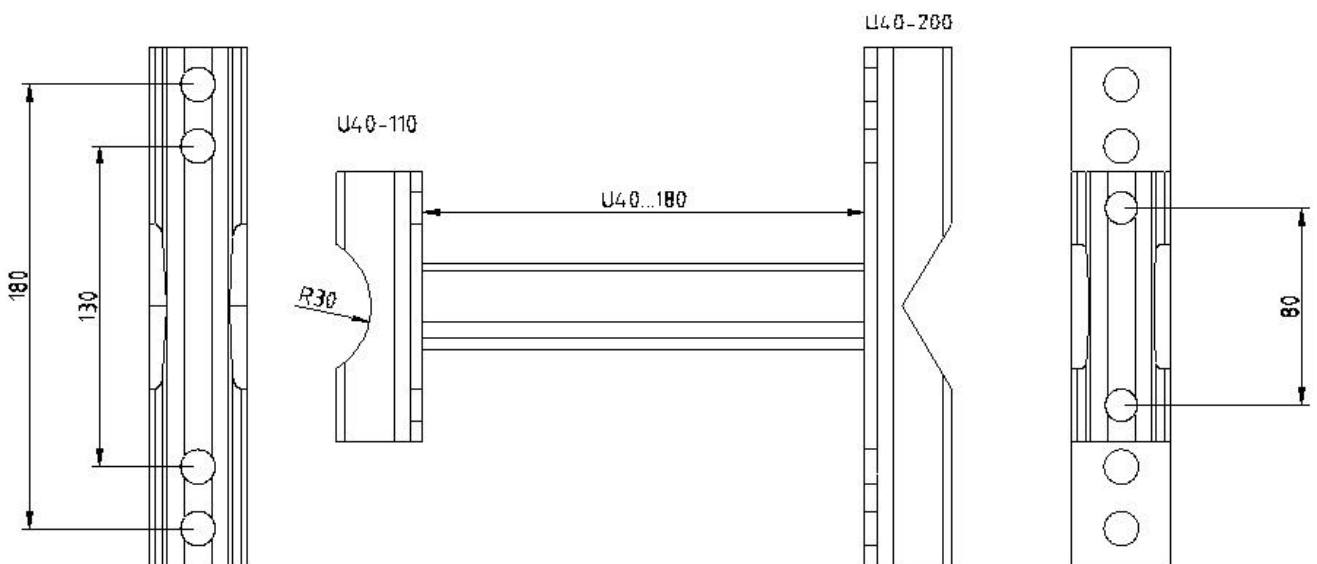
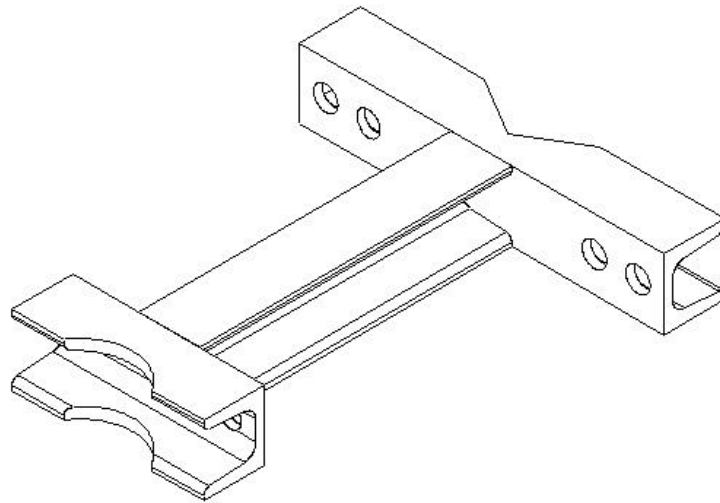


MOUNTING BRACKET U40-XXX-110-160-1

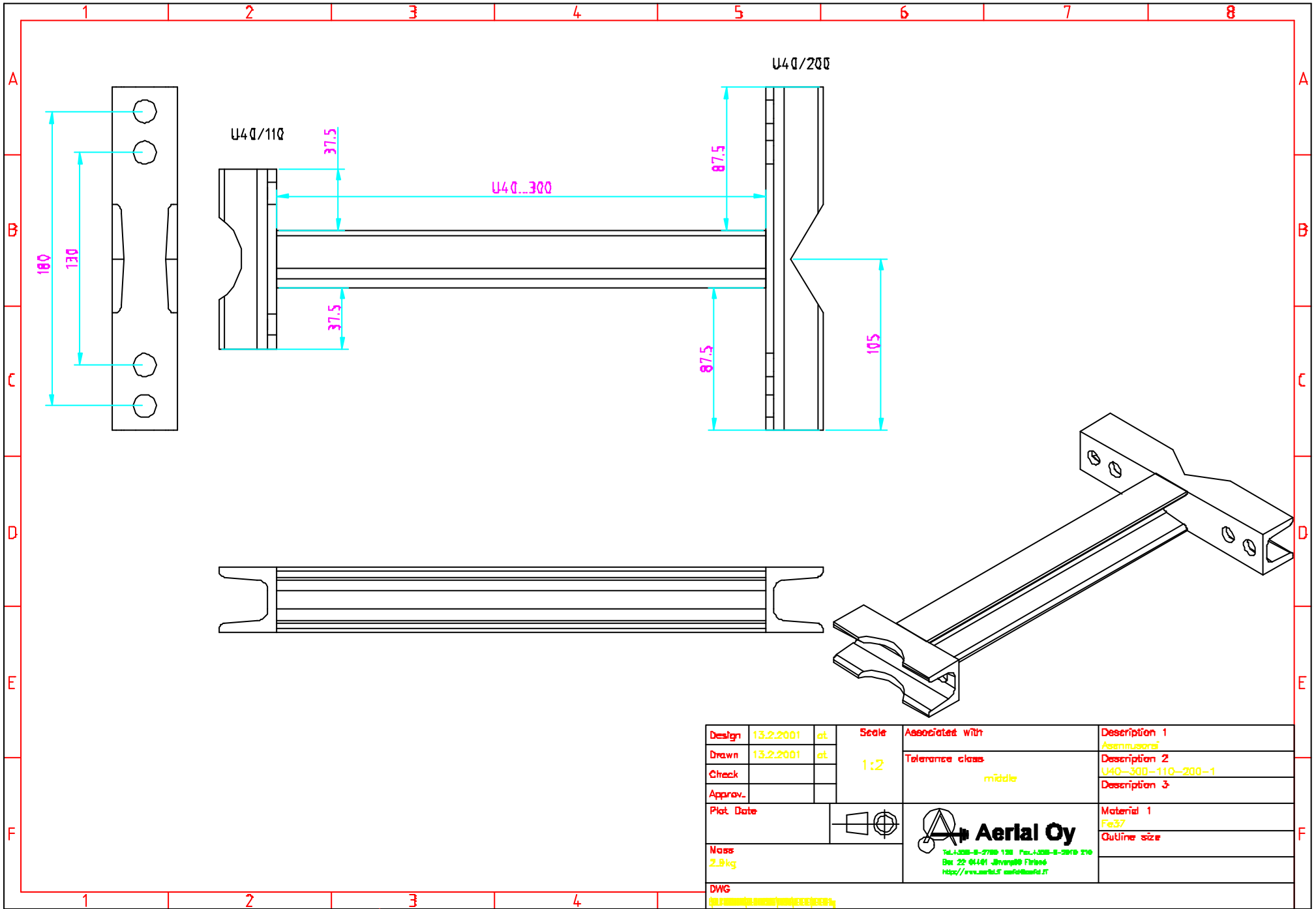


Type	U40-XXX-110-160-1
Dimensions (H x W x D) (Ø x H)	See above drawing XXX=bracket length (180 in picture)
Weight	2.1 kg (180mm bracket)
Materials	Hot dip galvanized steel
Versions	-
Options	-Bracket length (XXX) (100,300,500mm in stock)

MOUNTING BRACKET U40-110-200-1



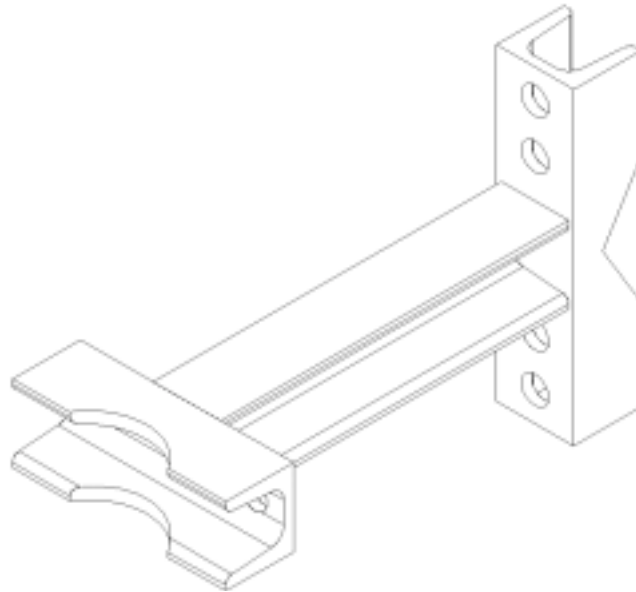
Type	U40-110-200-1
Dimensions (H x W x D) (Ø x H)	See above drawing
Weight	2.3 kg
Materials	Hot dip galvanized steel
Versions	-
Options	Bracket length



Design	13.2.2001	at	Scale	Associated with	Description 1
Drawn	13.2.2001	at	1:2	Tolerance class	Asennusosa
Check				middle	Description 2
Approv.					U40-300-110-200-1
Plot Date					Description 3
Mass	2.9 kg				Material 1
DWG					Fe37
					Outline size

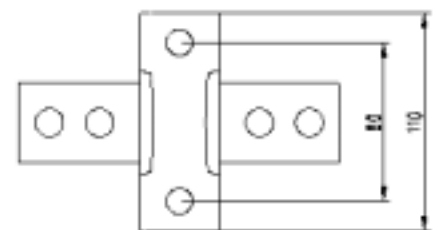
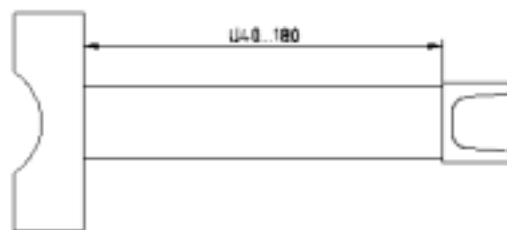
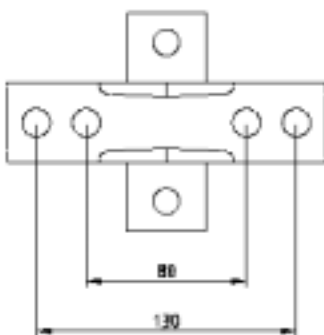


MOUNTING BRACKET U40-XXX-110-160-90-1



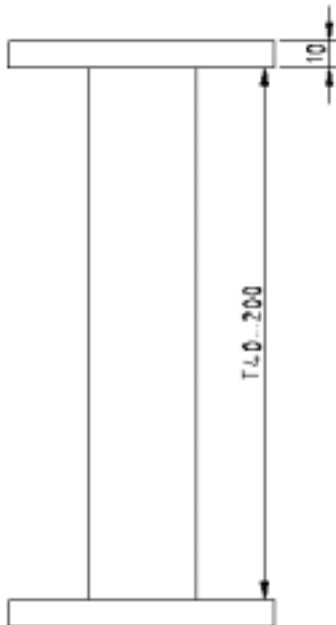
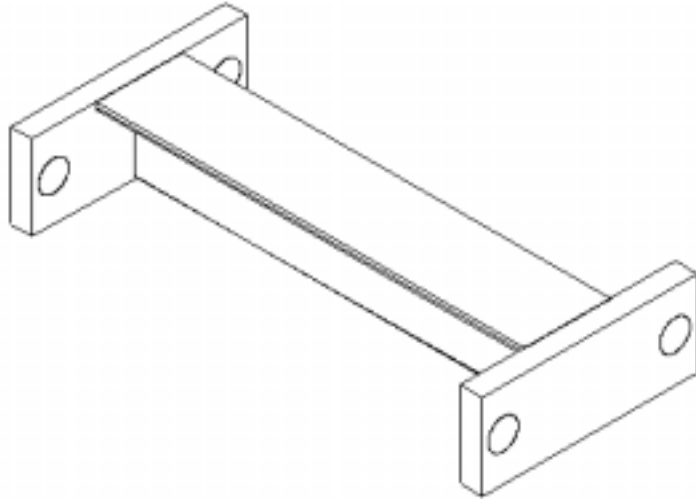
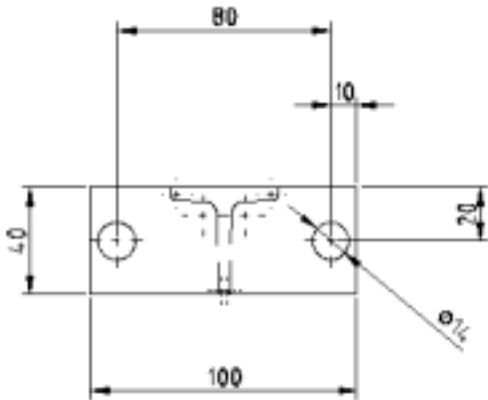
U40-110

U40-160



Type	U40-XXX-110-160-90-1
Dimensions (H x W x D) (Ø x H)	See above drawing XXX=bracket length (180 in picture)
Weight	2.2 kg (180mm bracket)
Materials	Hot dip galvanized steel
Versions	-
Options	-Bracket length (XXX) (100,300,500mm in stock)

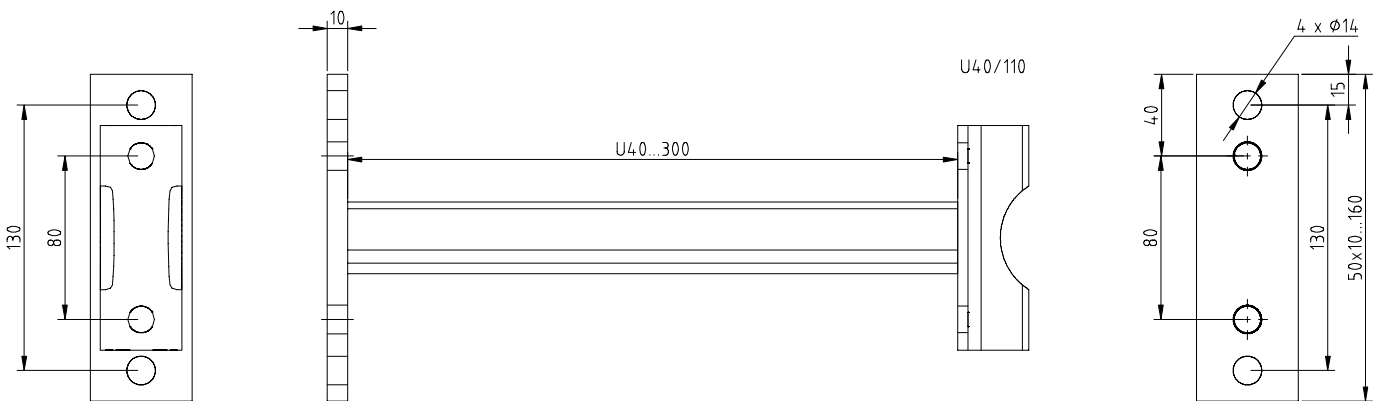
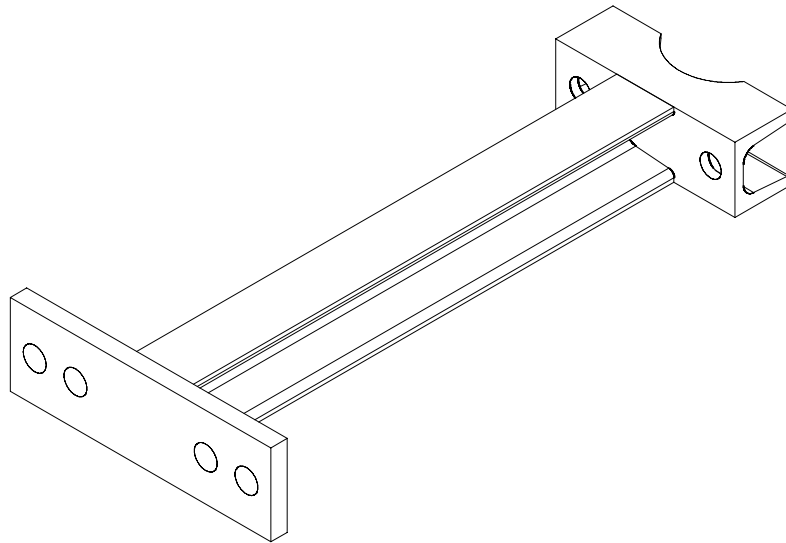
MOUNTING BRACKET U40-80-XXX-1



Use to install different clamps with offset. All clamps with 80mm hole distance can be used. Use for example between mast leg and assembly pipe, or in wall mountings.

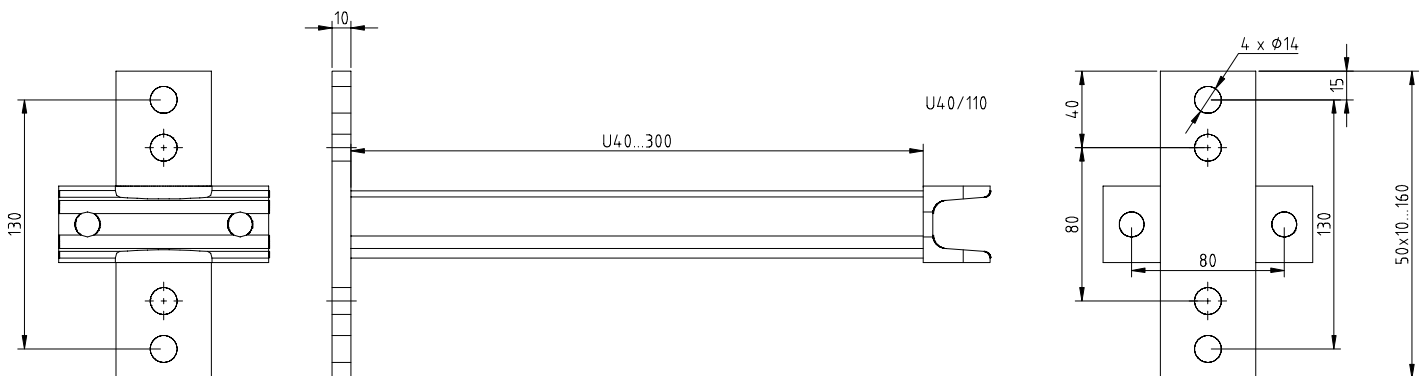
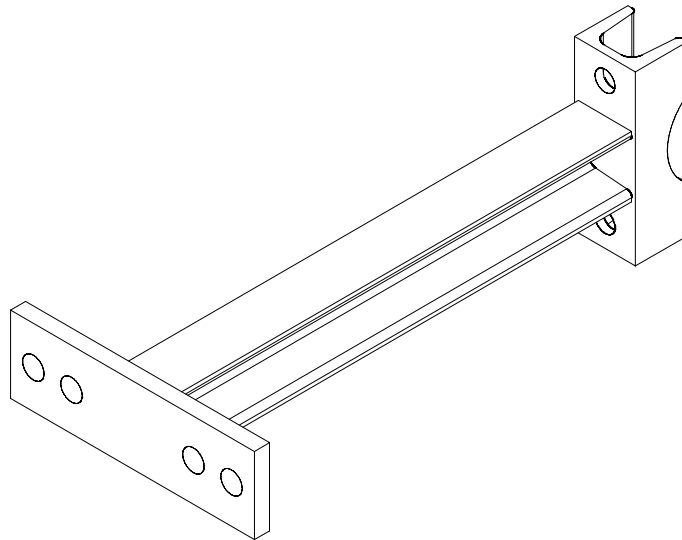
Type	U40-80-XXX-1
Dimensions (H x W x D) (Ø x H)	See dimensions drawing
Weight	0.9kg(200mm) - 2.0kg (500mm)
Mounting diameter	Depending on clamp installed
Materials	Hot dip galvanized steel
Versions	-
Options	Lengths in stock: 100, 200, 300 & 500mm

MOUNTING BRACKET U40-XXX-110-1



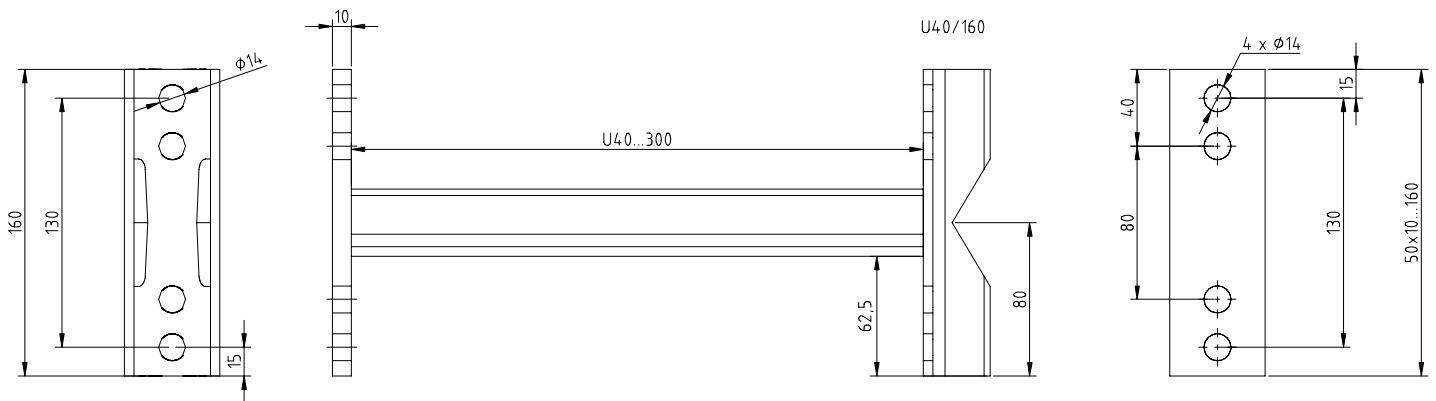
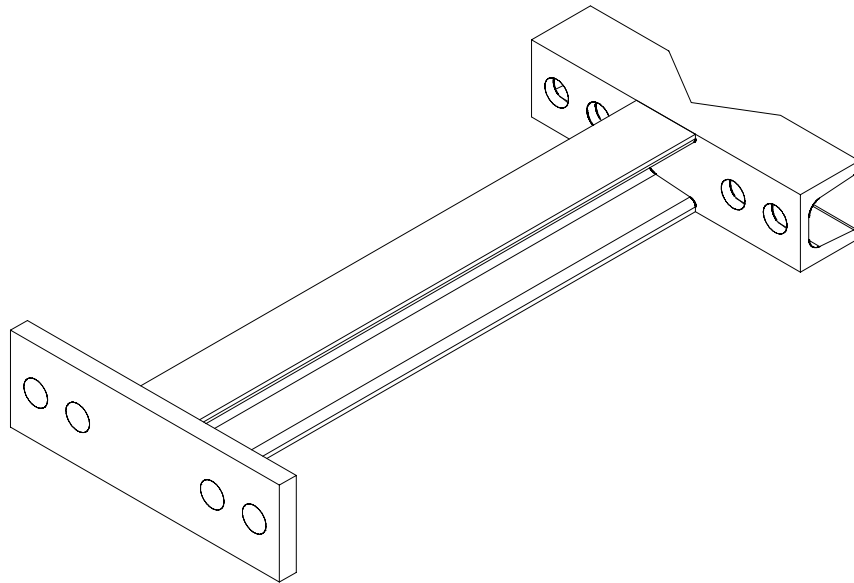
Type	U40-XXX-110-1
Dimensions (H x W x D) (Ø x H)	See above drawing XXX=bracket length (180 in picture)
Weight	1.9 kg
Materials	Hot dip galvanized steel
Versions	-
Options	-Bracket length (XXX) (100,300,500 in stock)

MOUNTING BRACKET U40-XXX-110-90-1



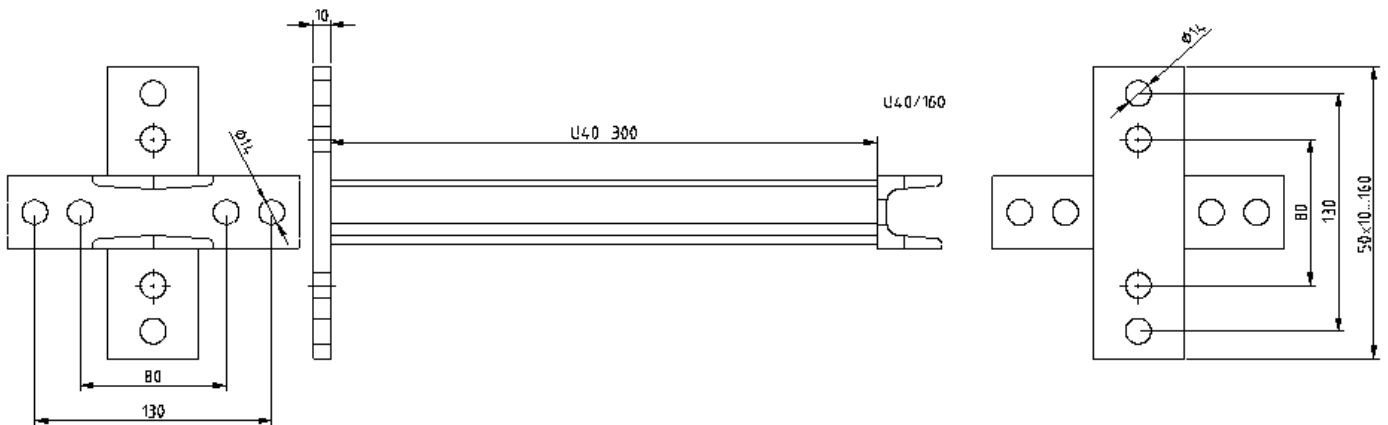
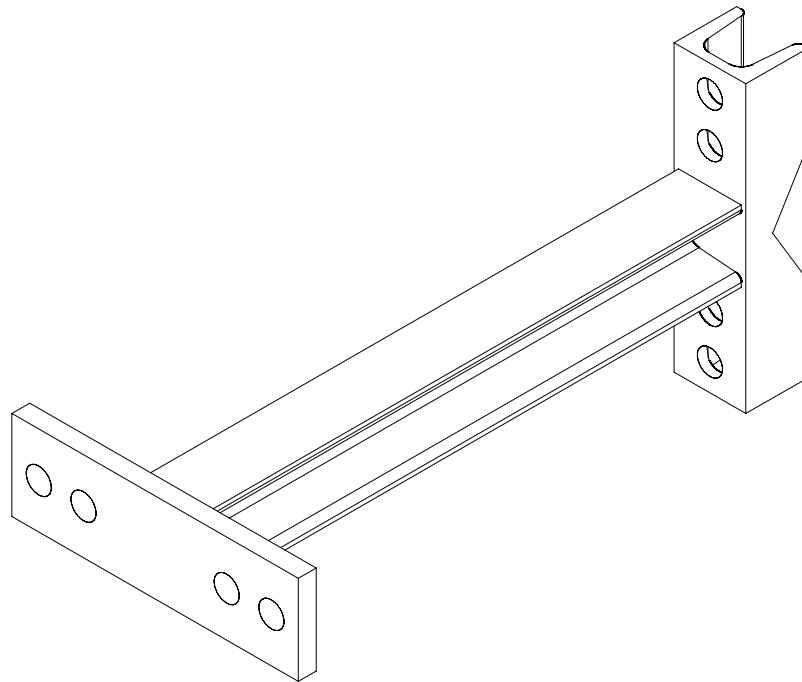
Type	U40-XXX-110-90-1
Dimensions (H x W x D) (Ø x H)	See above drawing XXX=bracket length (180 in picture)
Weight	1.9 kg
Materials	Hot dip galvanized steel
Versions	-
Options	-Bracket length (XXX) (100,300,500 in stock)

MOUNTING BRACKET U40-XXX-160-1

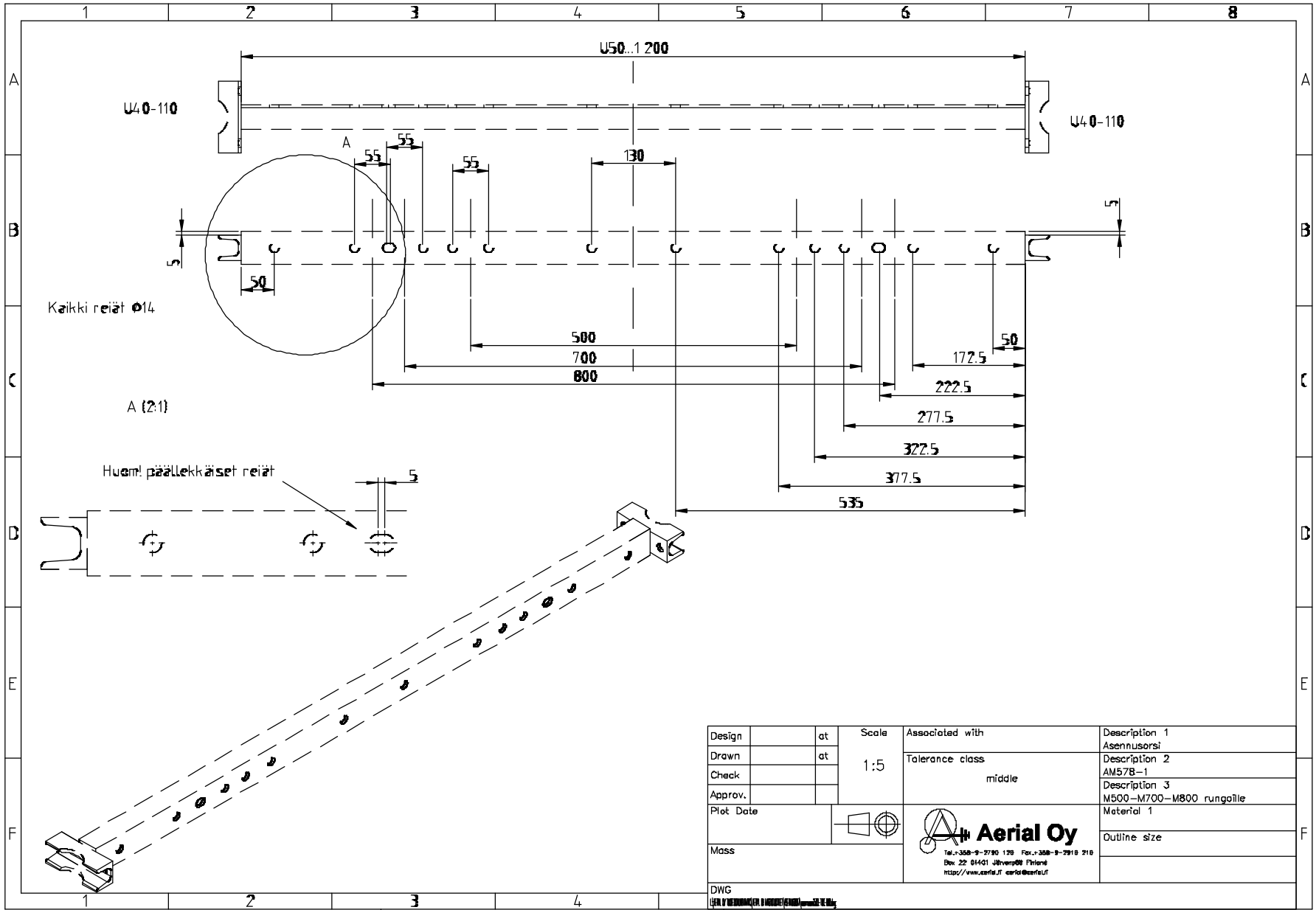


Type	U40-XXX-160-1
Dimensions (H x W x D) (Ø x H)	See above drawing XXX=bracket length (180 in picture)
Weight	2.2 kg
Materials	Hot dip galvanized steel
Versions	-
Options	-Bracket length (XXX) (100,300,500 in stock)

MOUNTING BRACKET U40-XXX-160-90-1



Type	U40-XXX-160-90-1
Dimensions (H x W x D) (\varnothing x H)	See above drawing XXX=bracket length (180 in picture)
Weight	2.1 kg (180mm bracket)
Materials	Hot dip galvanized steel
Versions	-
Options	-Bracket length (XXX) (100,300,500mm in stock)

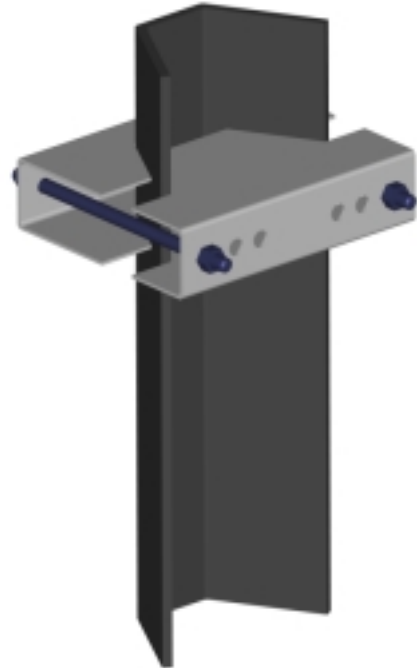
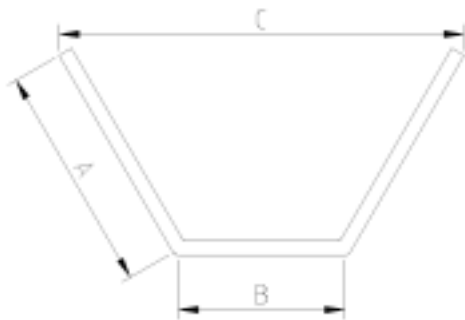


Design		at	Scale	Associated with	Description 1
Drawn		at	1:5	Tolerance class middle	Asennusorsi
Check					Description 2
Approv.					AM57B-1
PLOT Date					Description 3
					M500-M700-M800 rungoille
Mass					Material 1
DWG					Outline size

Aerial Oy
 Tel. +358-9-2790 120 Fax. +358-9-2918 210
 Box 22 04401 Järvenpää Puhelin
<http://www.aerial.fi> aerial@airfal.fi

LEIKKI- tai KÄSIPIIRITÄKÄÄN KÄYTTÖÖN KÄYTTÖKÄSIKIRJAN MUKAAN

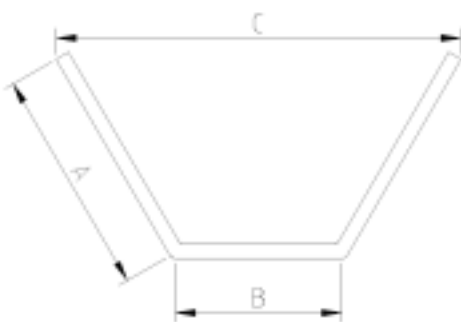
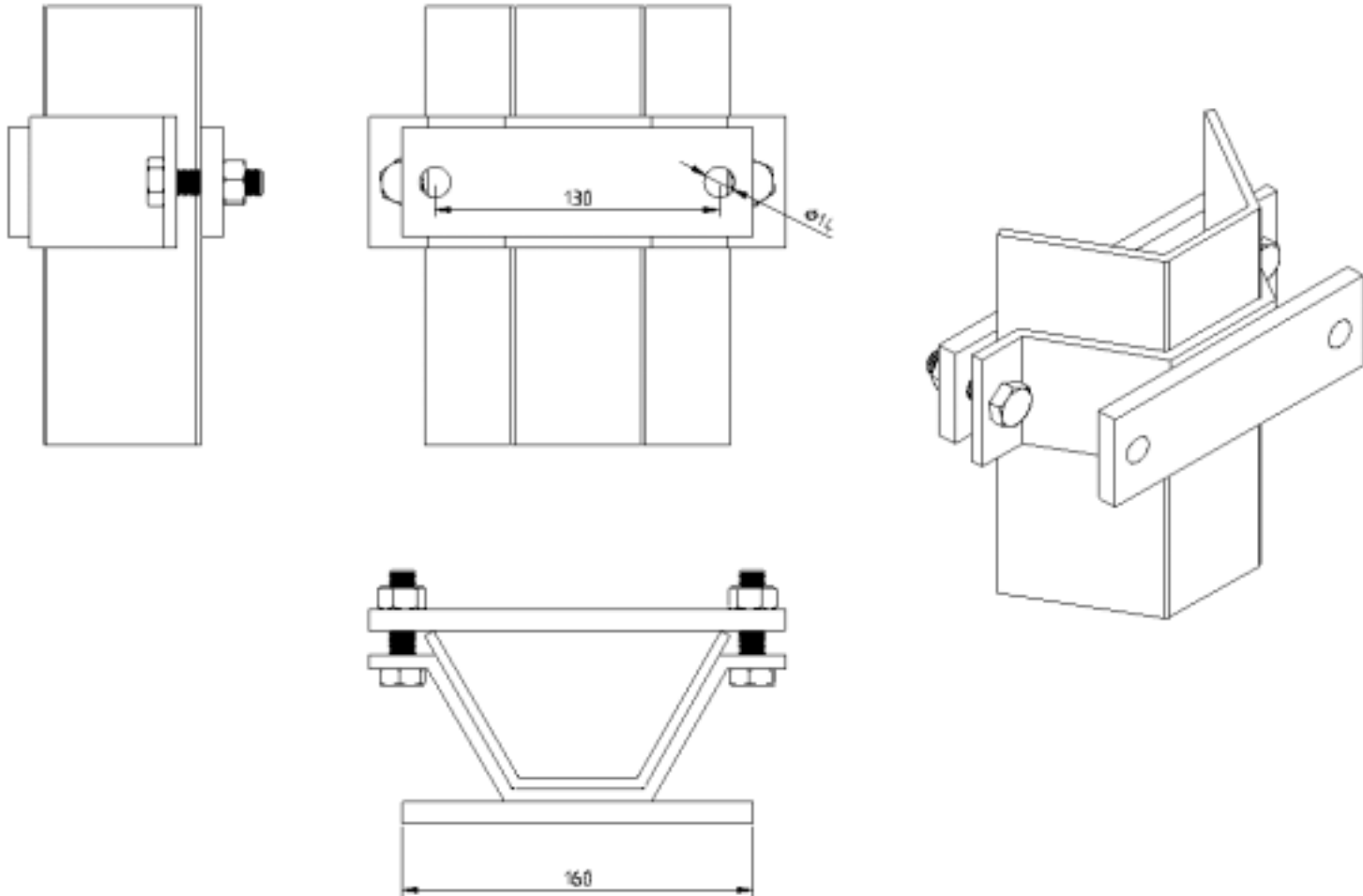
AEVU-XXX-X MOUNTING CLAMP SET



Mounting clamp set AEVU-100-1 for VU-100 mast leg.

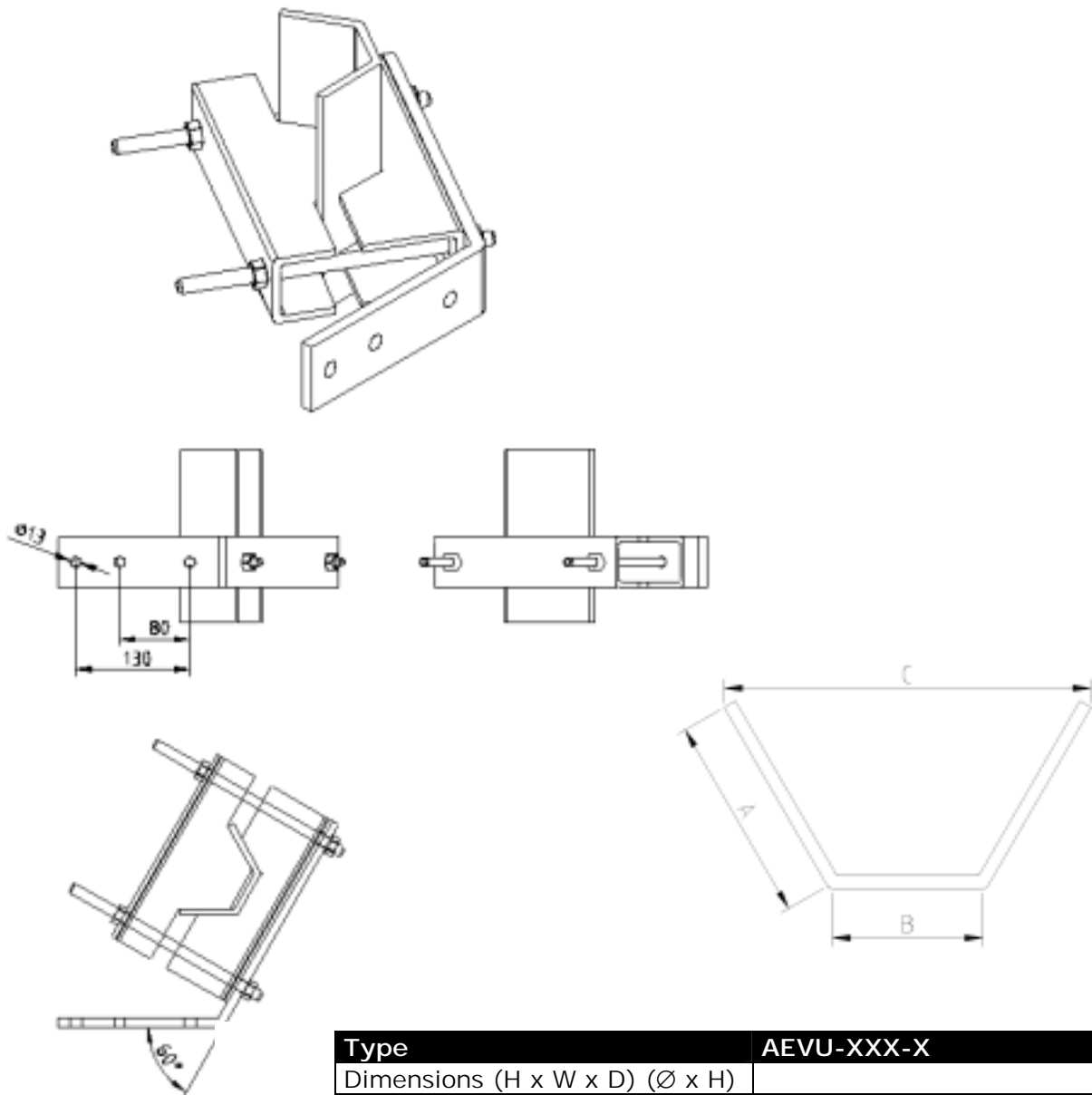
Type	AEVU-XXX-X
Dimensions (H x W x D) (Ø x H)	See below
Weight	1.5 kg up
Mounting diameter	see below
Materials	Hot dip galvanised steel
Versions (AxBxC)	AEVU-50-1 (50x40x95) AEVU-65-1 (65x55x120) AEVU-75-1 (75x66x141) AEVU-80-1 (80x60x160) AEVU-90-1 (90x78x168) AEVU-100-1 (100x70x175) AEVU-105-1 (105x91x196) AEVU-120-1 (120x80x210) AEVU-120-2 (120x105x225) AEVU-135-1 (135x120x255)
Options	-

AEVU2-XXX-X MOUNTING CLAMP SET

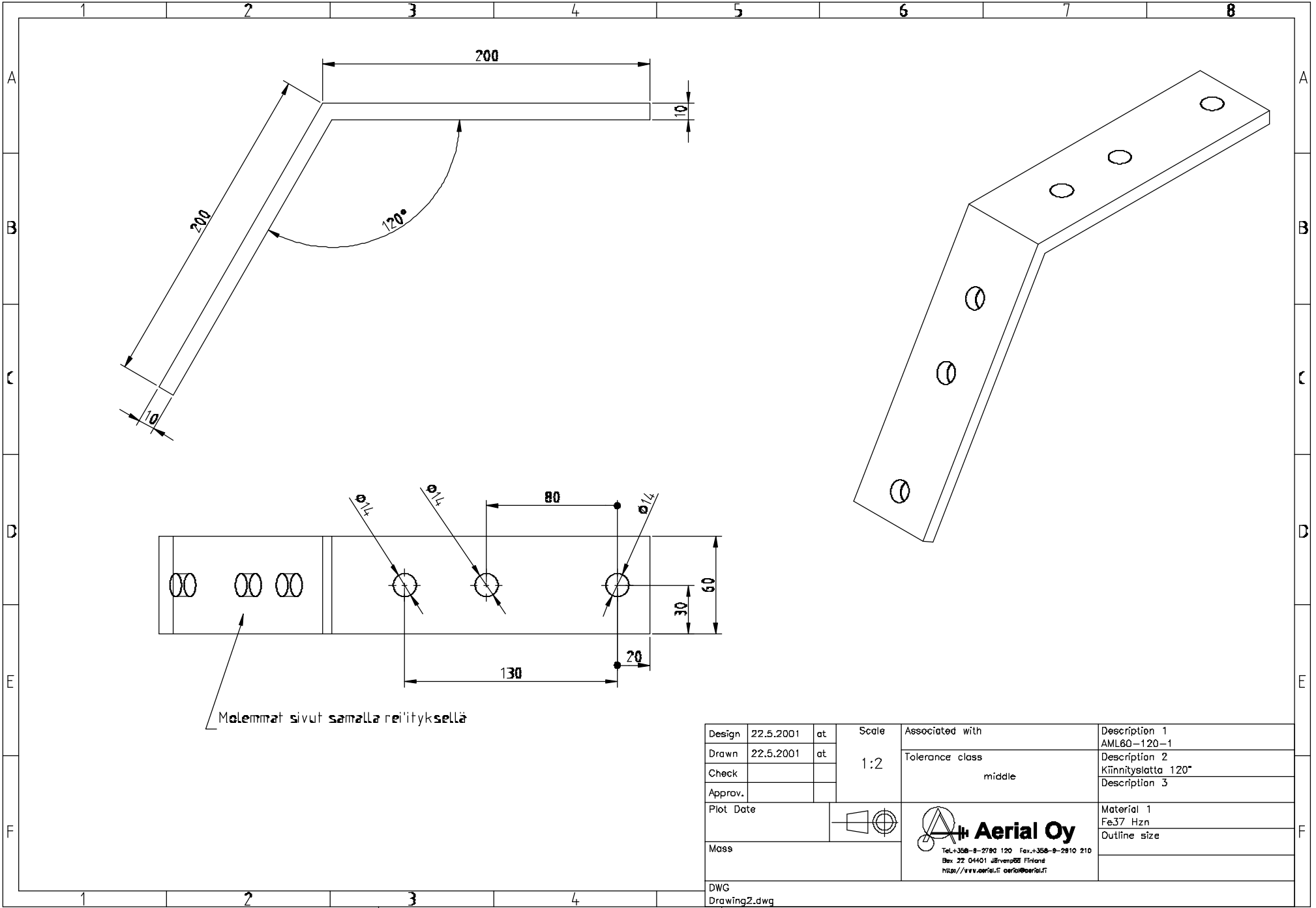


Type	AEVU2-XXX-X
Dimensions (H x W x D) (Ø x H)	See below
Weight	1.5kg up
Mounting diameter	see below
Materials	Hot dip galvanised steel
Versions (AxBxC)	AEUU-50-1 (50x40x95) AEUU-65-1 (65x55x120) AEUU-75-1 (75x66x141) AEUU-80-1 (80x60x160) AEUU-90-1 (90x78x168) AEUU-100-1 (100x70x175) AEUU-105-1 (105x91x196) AEUU-120-1 (120x80x210) AEUU-120-2 (120x105x225) AEUU-135-1 (135x120x255)

AEVUS-XXX-X SIDE MOUNTING CLAMP SET

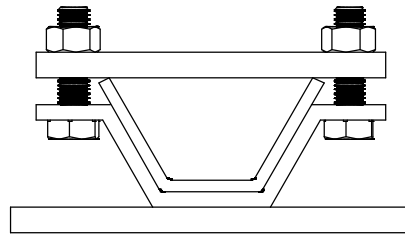
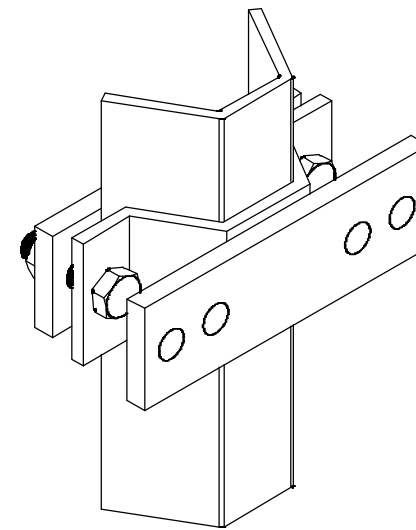
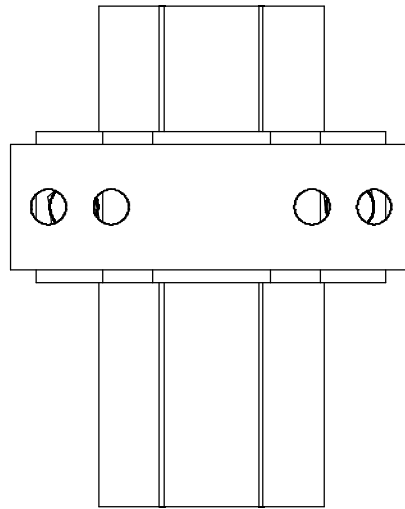
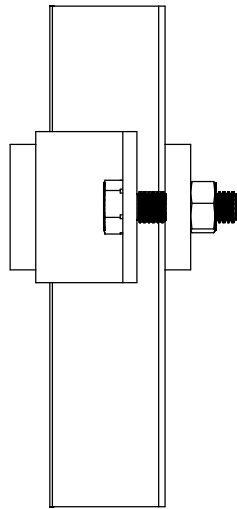


Type	AEVU-XXX-X
Dimensions (H x W x D) (Ø x H)	
Weight	2 kg + clamp set
Mounting diameter	Ø
Materials	Hot dip galvanised steel
Versions (AxBxC)	AEUU-50-1 (50x40x95) AEUU-65-1 (65x55x120) AEUU-75-1 (75x66x141) AEUU-80-1 (80x60x160) AEUU-90-1 (90x78x168) AEUU-100-1 (100x70x175) AEUU-105-1 (105x91x196) AEUU-120-1 (120x80x210) AEUU-120-2 (120x105x225) AEUU-135-1 (135x120x255)
Options	Also for AEUU2-series



Design	22.5.2001	at	Scale 1:2	Associated with	Description 1	
Drawn	22.5.2001	at			Tolerance class	AML60-120-1
Check					middle	Description 2
Approv.						Kiinnityslatta 120°
Plot Date					Description 3	
Mass					Material 1	
DWG Drawing2.dwg					Fe37 Hzn	
					Outline size	





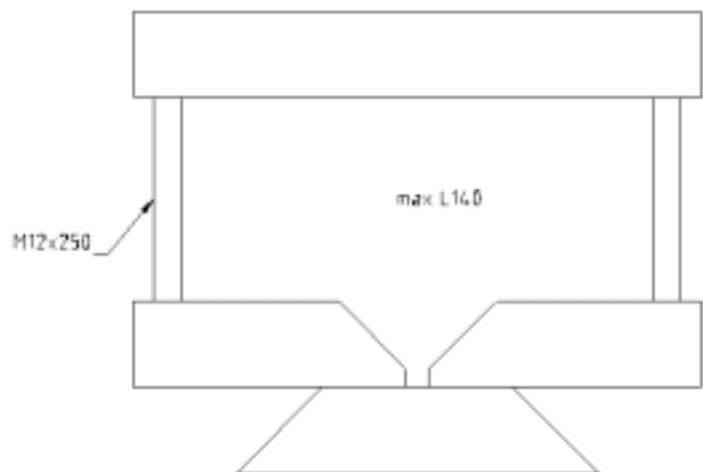
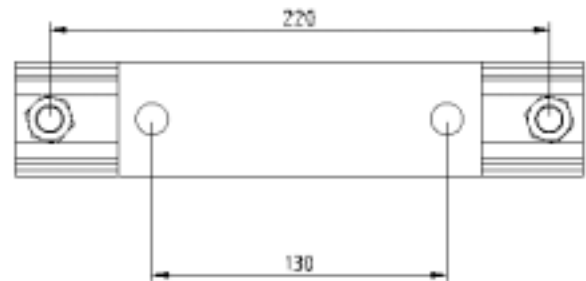
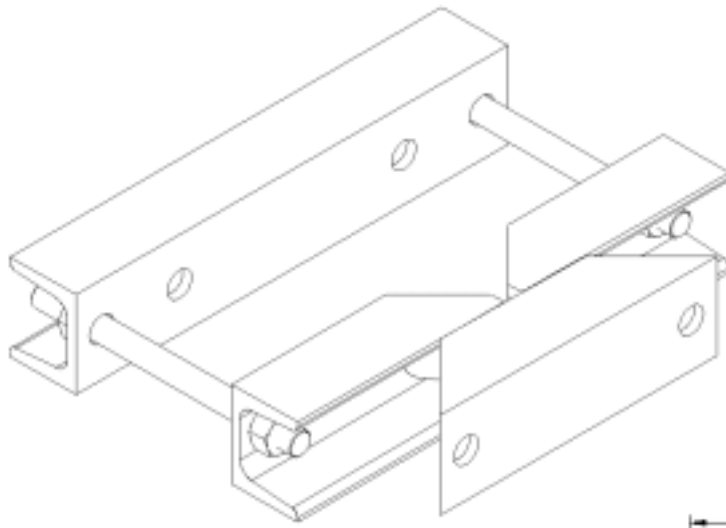
Design	10.1.2001	at	Scale	Associated with	Description 1
Drawn	10.1.2001	at	1:2	VU-65	VUMK50-1
Check				Tolerance class	Description 2
Approv.				middle	Description 3
Plot Date					Material 1
Mass					Fe.37
					Outline size



Tel. +358-9-2780 120 Fax. +358-9-2810 210
 Box 22 04401 Järvenpää Finland
 http://www.aerial.fi aerial@airtel.fi

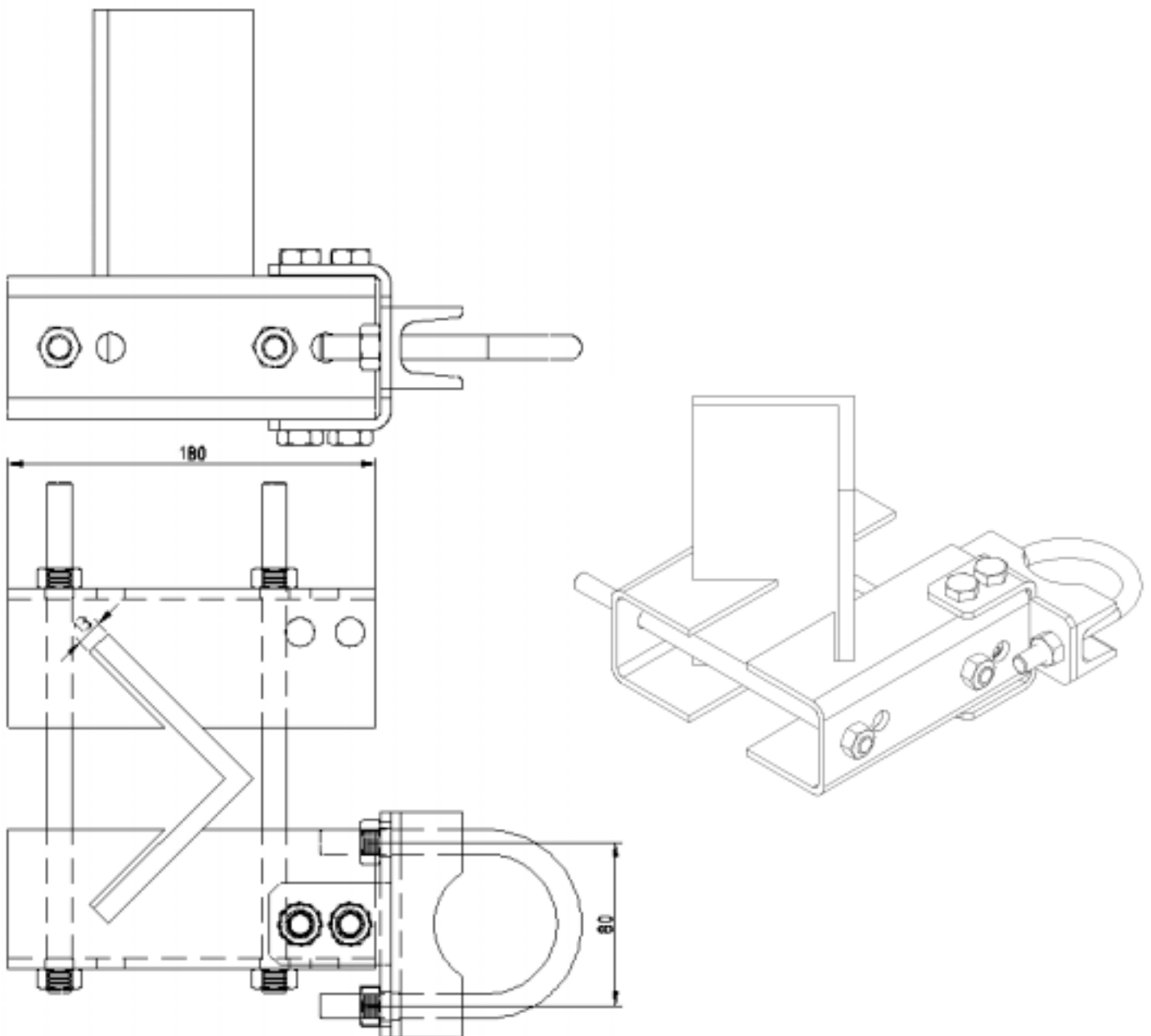
DWG
 Y:\Work\MDT\VU-kinnitys\kokp3.dwg

L-PROFILE MOUNTING BRACKET AELM220-130-1



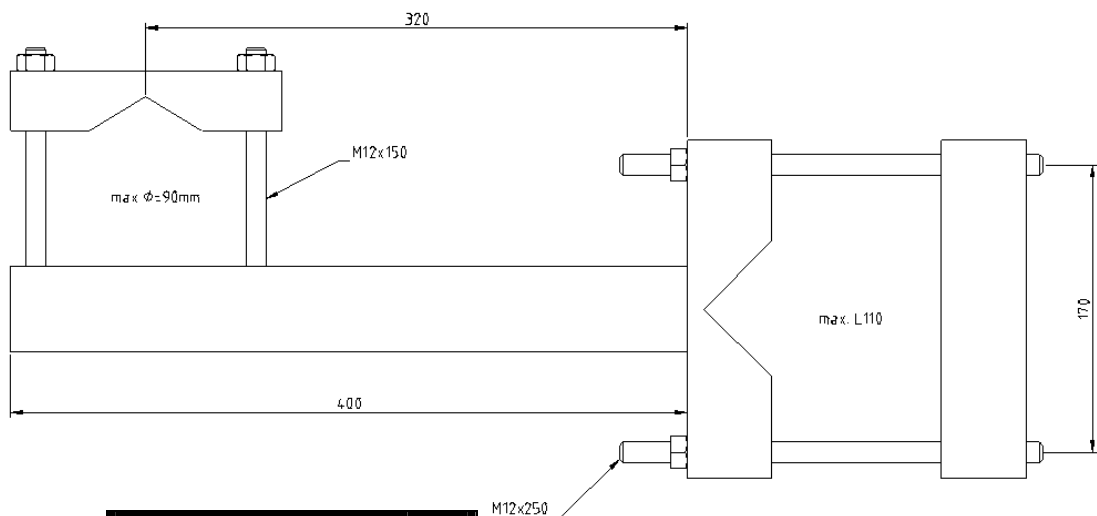
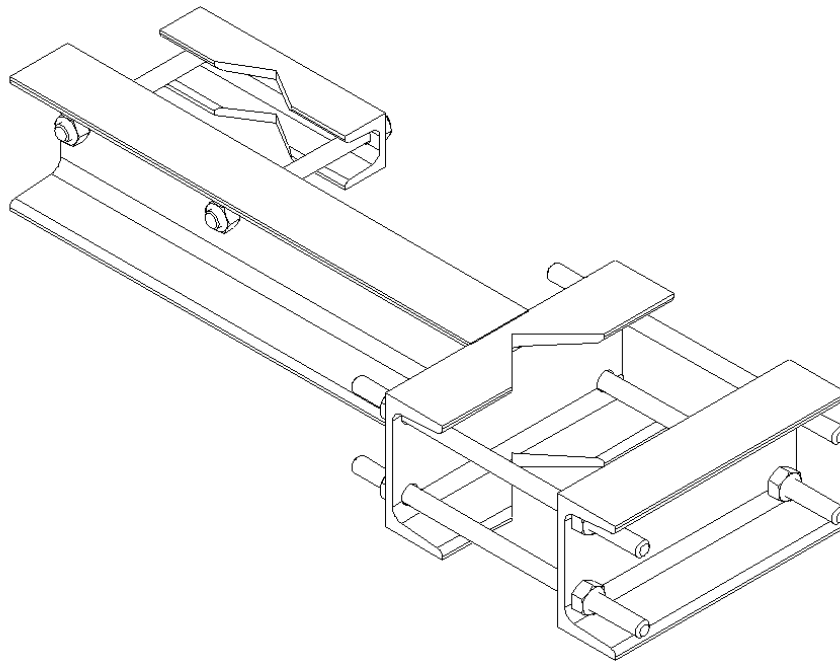
Type	AELM220-130-1
Dimensions (H x W x D) (Ø x H)	See above drawing
Weight	3.5 kg
Mounting diameter	L140 max profile Ø 30...115 mm pipe
Materials	Hot dip galvanized steel
Versions	-
Options	-

L-PROFILE MOUNTING SET AELM180-70-1



Type	AELM180-70-1
Dimensions (H x W x D) (Ø x H)	See above drawing
Weight	4.3 kg
Mounting diameter	L100 max profile Ø 60 mm assembly pipe
Materials	Hot dip galvanized steel
Versions	-
Options	-

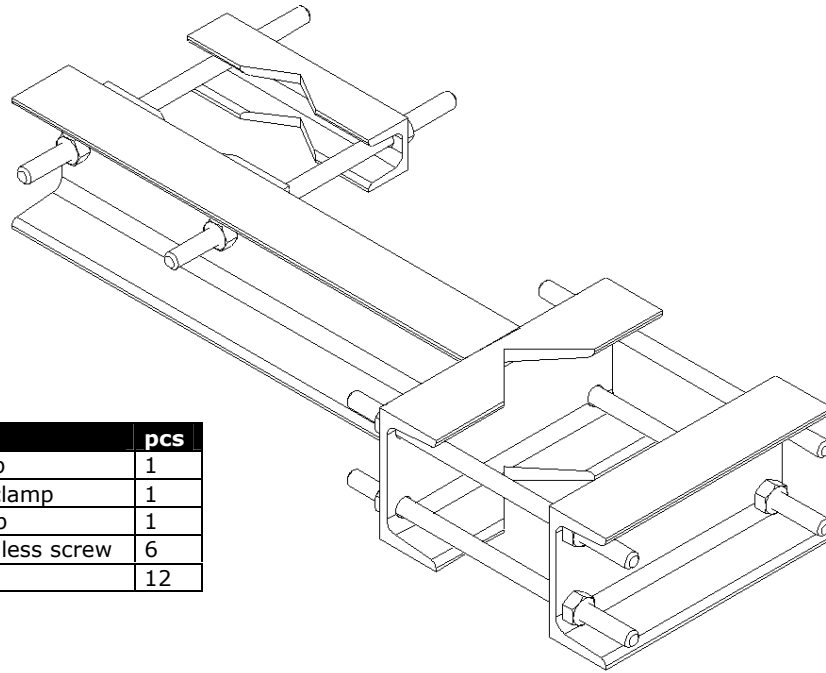
L-PROFILE MOUNTING BRACKET AELM170-400-1



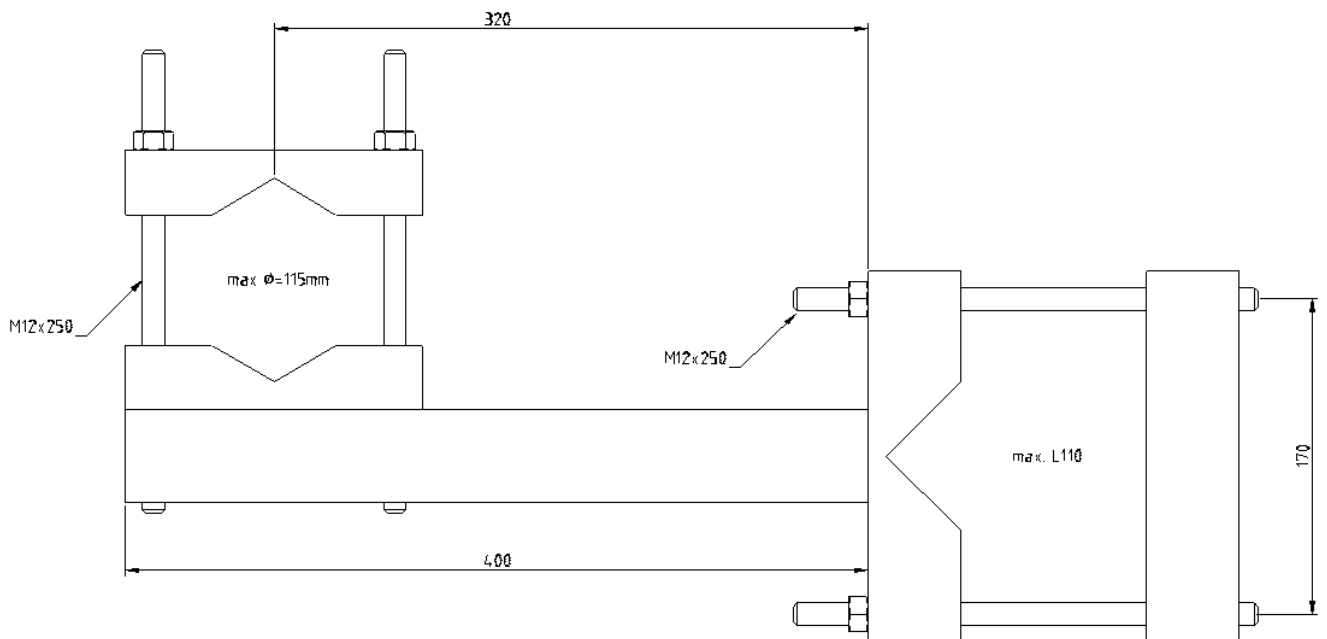
Parts list	pcs
UL170-1 clamp	1
UI170-400-1 clamp	1
U40-160 clamp	1
M12x250 headless screw	4
M12x150 headless screw	2
M12 nut	12

Type	AELM170-400-1
Dimensions (H x W x D) (ϕ x H)	See above drawing
Weight	10 kg
Mounting diameter	L110 max profile ϕ 30...115 mm pipe
Materials	Hot dip galvanized steel
Versions	-
Options	-

L-PROFILE MOUNTING BRACKET AELM170-400-2

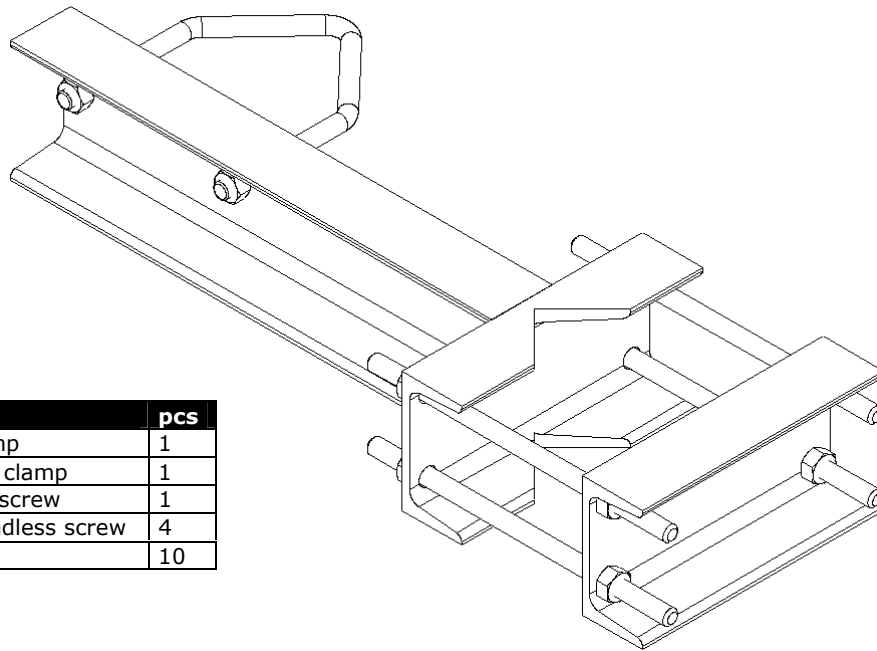


Parts list	pcs
UL170-1 clamp	1
UI170-400-1 clamp	1
U40-160 clamp	1
M12x250 headless screw	6
M12 nut	12

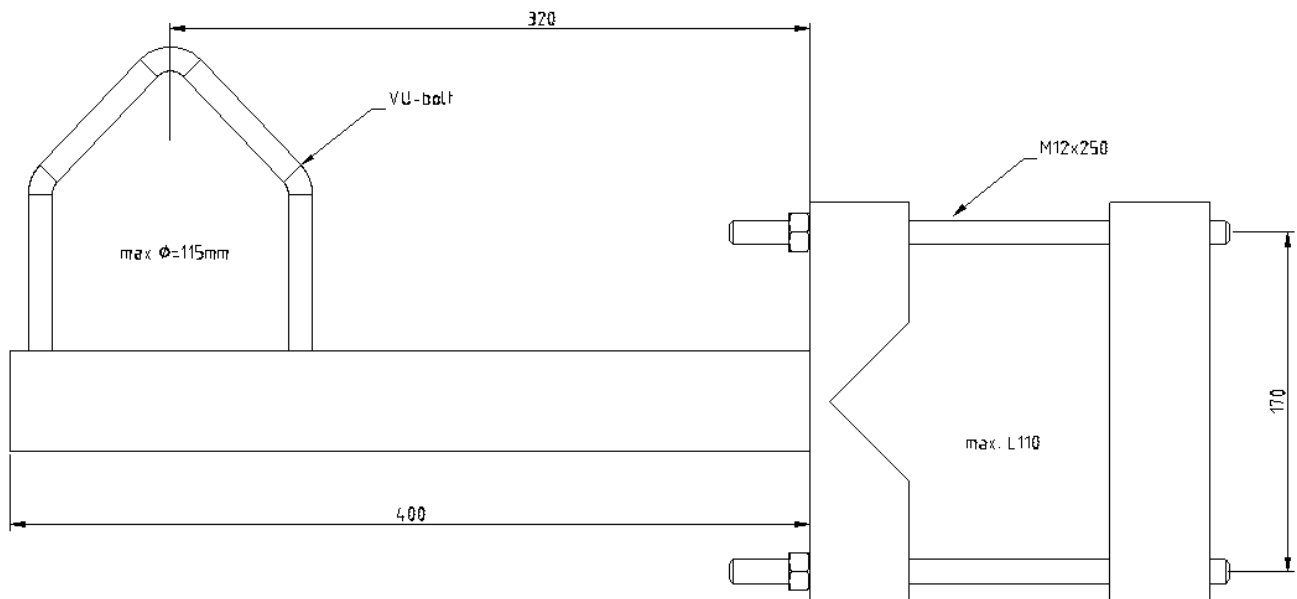


Type	AELM170-400-2
Dimensions (H x W x D) (ϕ x H)	See above drawing
Weight	11 kg
Mounting diameter	L110 max profile ϕ 30...115 mm pipe
Materials	Hot dip galvanized steel
Versions	-
Options	-

L-PROFILE MOUNTING BRACKET AELM170-400-3

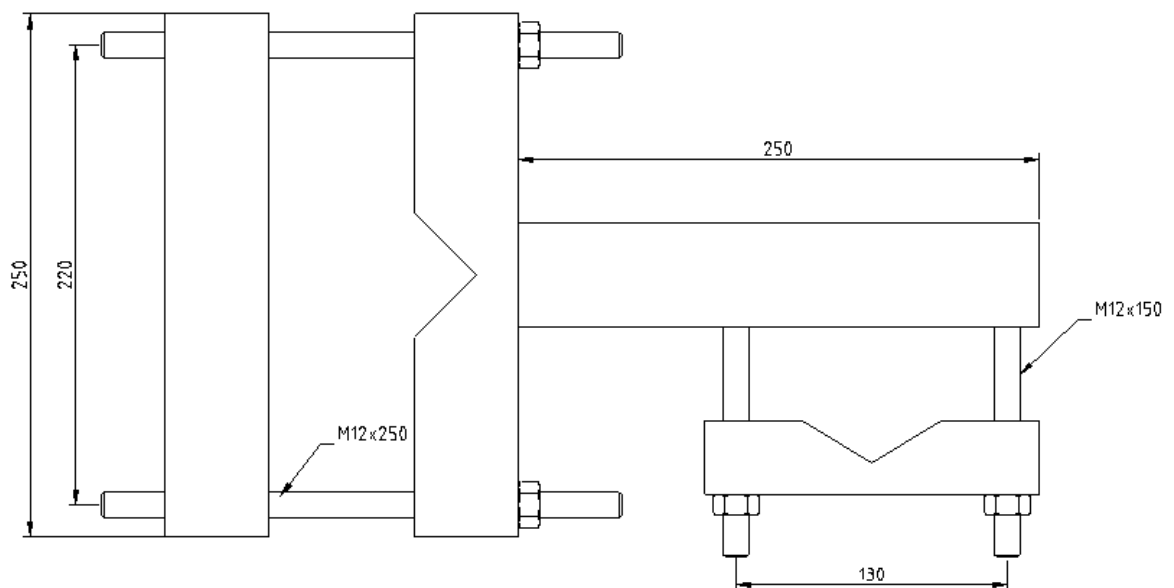
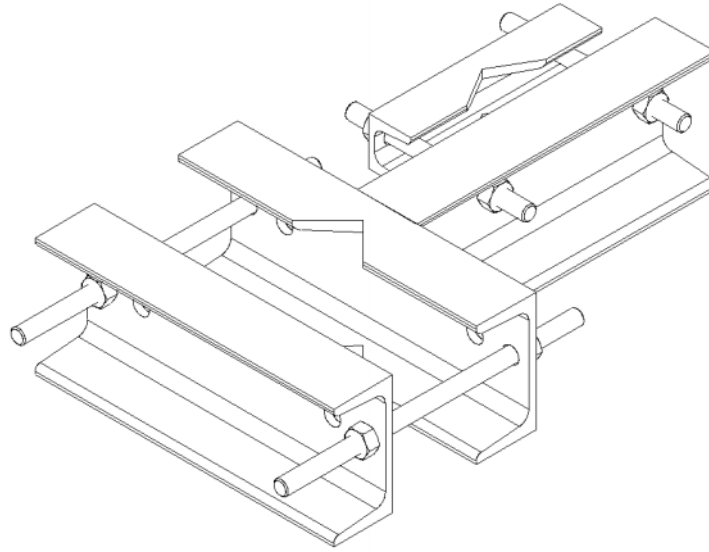


Parts list	pcs
UL170-1 clamp	1
UI170-400-1 clamp	1
VU130-1 VU-screw	1
M12x250 headless screw	4
M12 nut	10



Type	AELM170-400-3
Dimensions (H x W x D) (Ø x H)	See above drawing
Weight	9.5 kg
Mounting diameter	L110 max profile Ø 30...115 mm pipe
Materials	Hot dip galvanized steel
Versions	-
Options	-

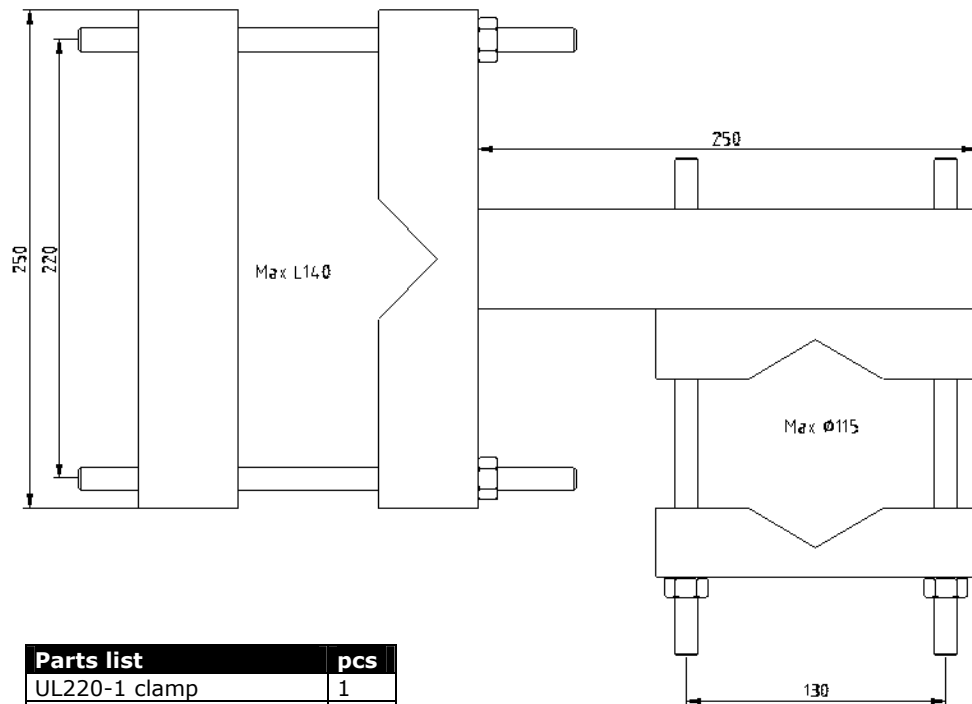
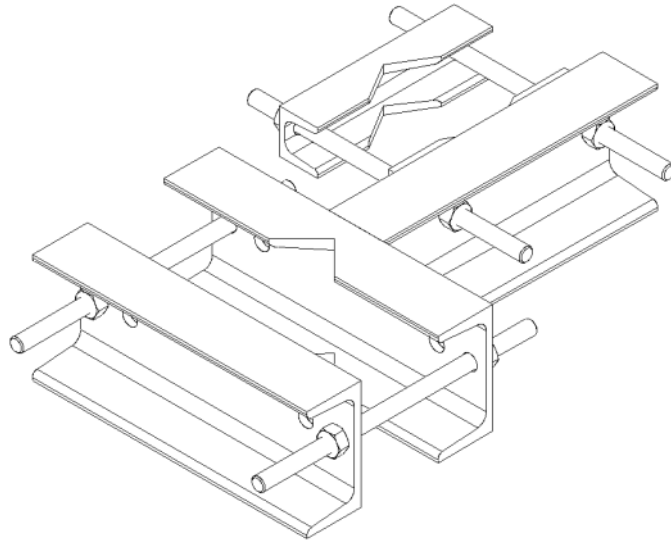
L-PROFILE MOUNTING BRACKET AELM220-250-1



Parts list	pcs
UL220-1 clamp	1
UL220-250-1 clamp	1
U40-160 clamp	1
M12x250 headless screw	2
M12x150 headless screw	2
M12 nut	8

Type	AELM220-250-1
Dimensions (H x W x D) (Ø x H)	See above drawing
Weight	9.3 kg
Mounting diameter	L140 max profile Ø 30...115 mm pipe
Materials	Hot dip galvanized steel
Versions	-
Options	-

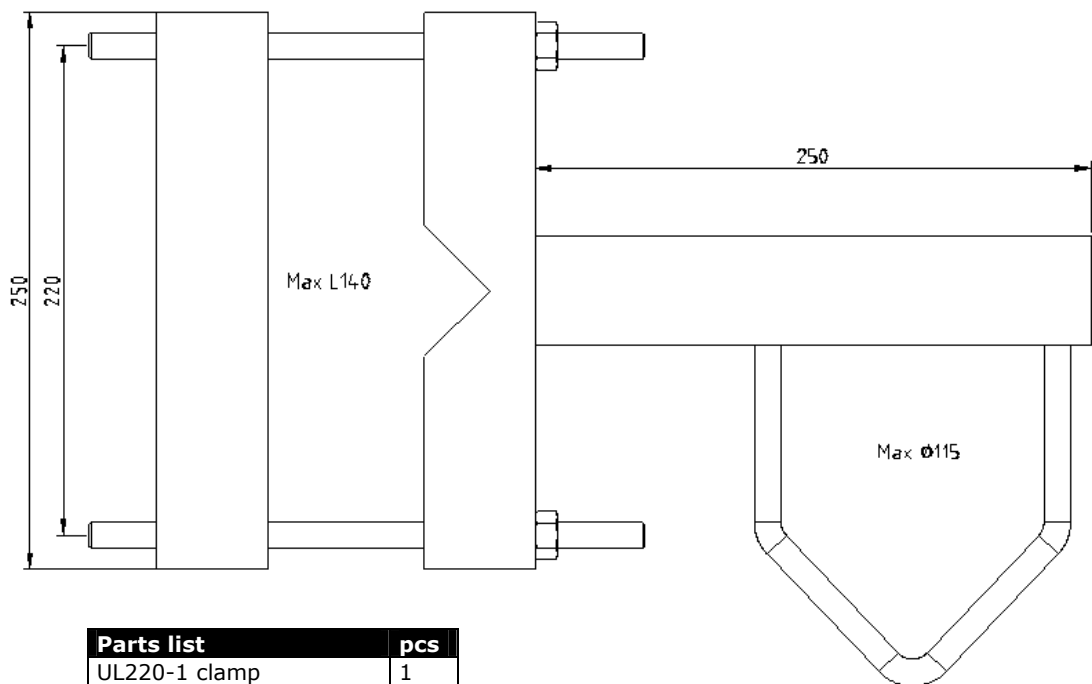
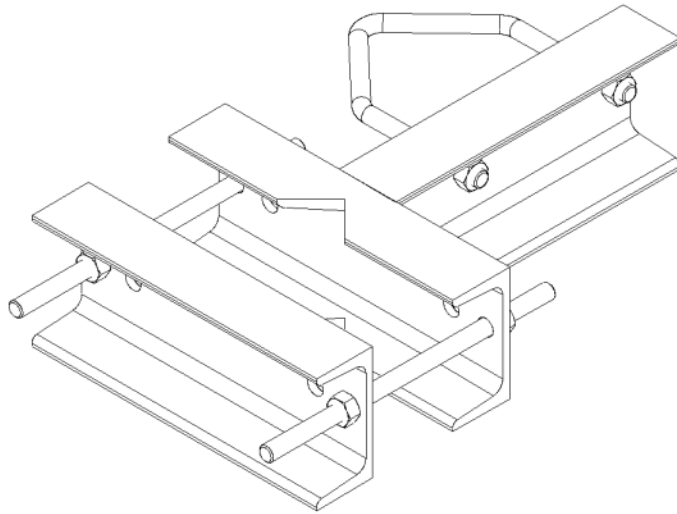
L-PROFILE MOUNTING BRACKET AELM220-250-2



Parts list	pcs
UL220-1 clamp	1
UL220-250-1 clamp	1
U40-160 clamp	2
M12x250 headless screw	4
M12 nut	8

Type	AELM220-250-2
Dimensions (H x W x D) (Ø x H)	See above drawing
Weight	9.3 kg
Mounting diameter	L140 max profile Ø 30...115 mm pipe
Materials	Hot dip galvanized steel
Versions	-
Options	-

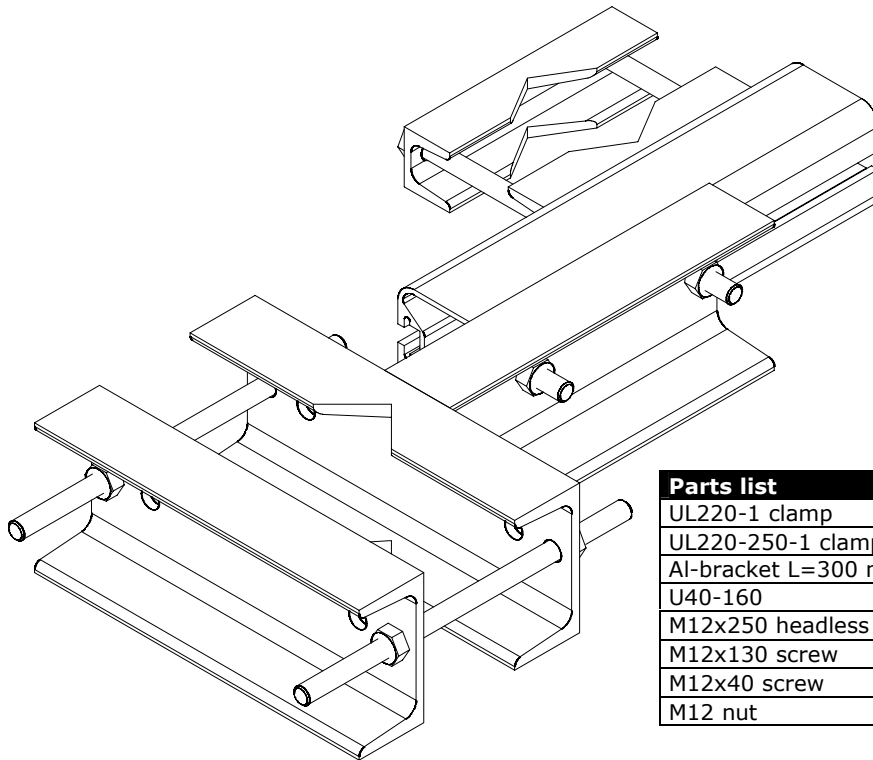
L-PROFILE MOUNTING BRACKET AELM220-250-3



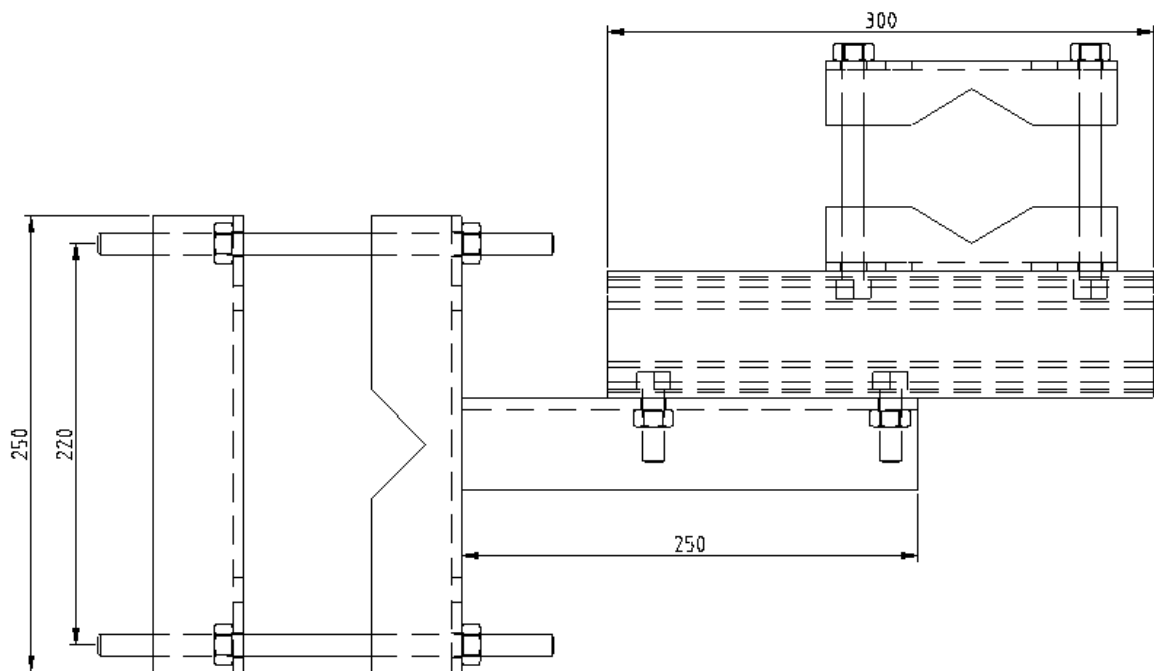
Parts list	pcs
UL220-1 clamp	1
UL220-250-1 clamp	1
VU130-1 VU-screw	1
M12x250 headless screw	2
M12 nut	6

Type	AELM220-250-3
Dimensions (H x W x D) (Ø x H)	See above drawing
Weight	9.3 kg
Mounting diameter	L140 max profile Ø 30...115 mm pipe
Materials	Hot dip galvanized steel
Versions	-
Options	-

L-PROFILE MOUNTING BRACKET AELM220-250-4

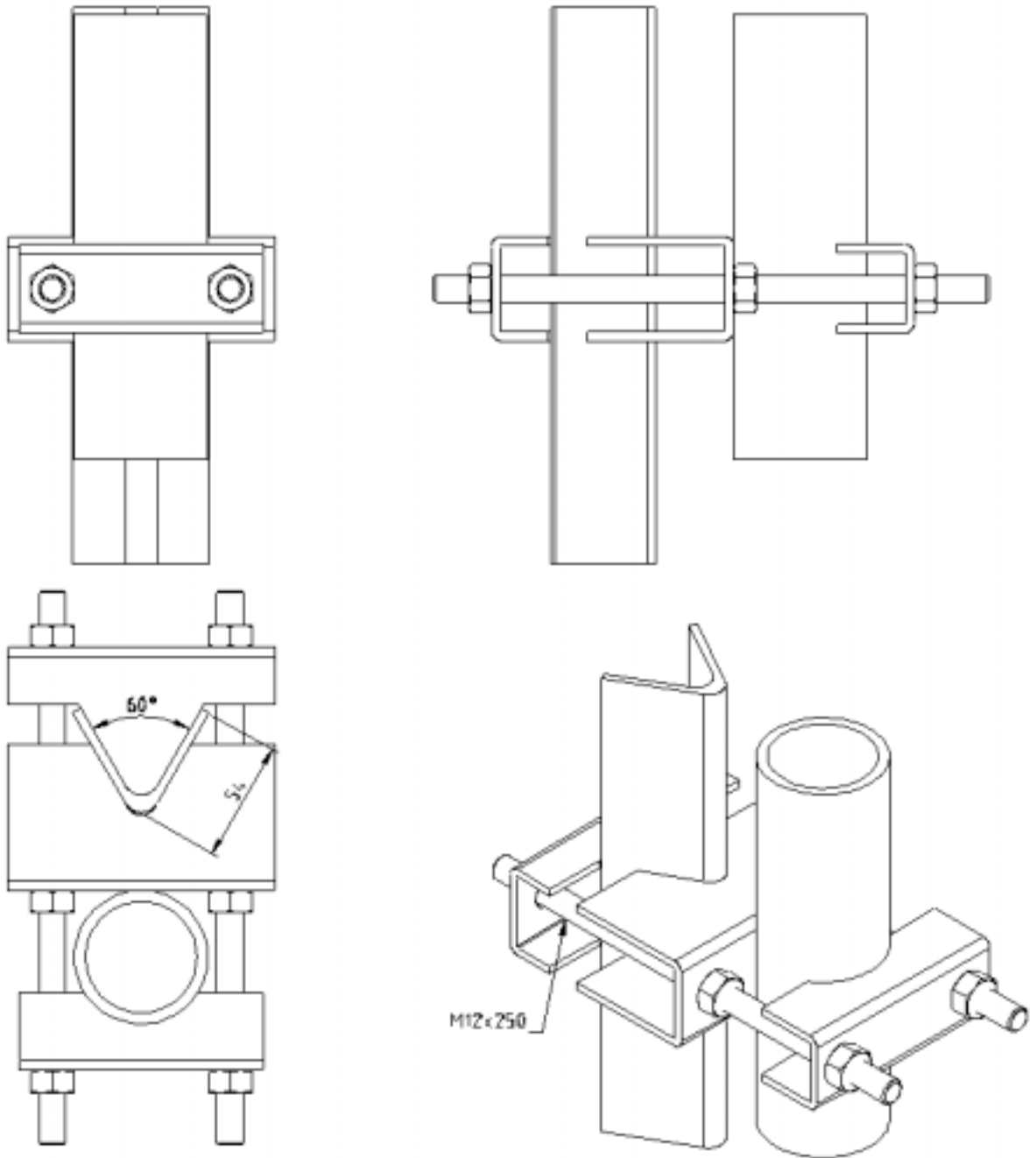


Parts list	pcs
UL220-1 clamp	1
UL220-250-1 clamp	1
Al-bracket L=300 mm	1
U40-160	2
M12x250 headless screw	2
M12x130 screw	2
M12x40 screw	2
M12 nut	8



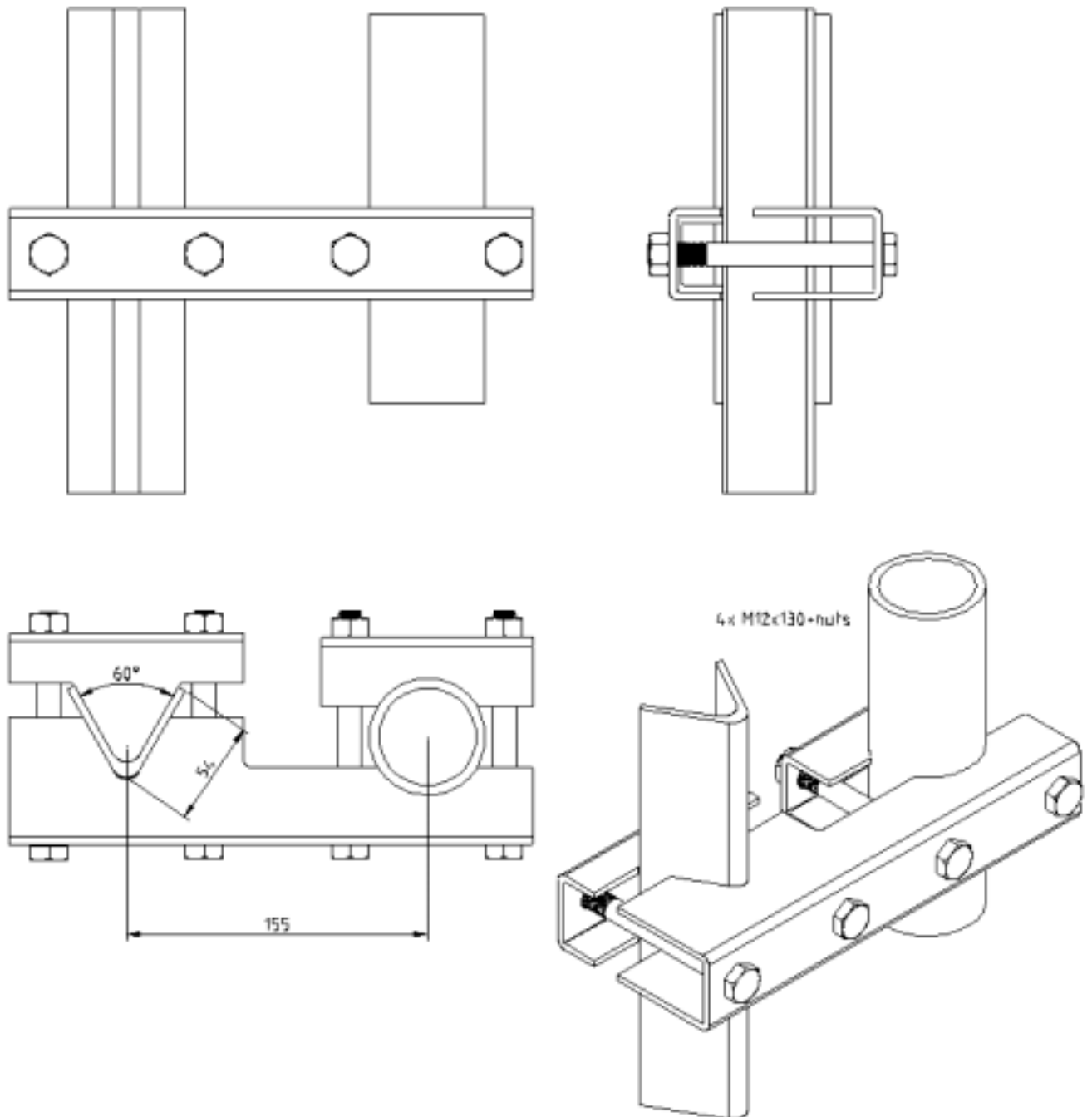
Type	AELM220-250-4
Dimensions (H x W x D) (Ø x H)	See above drawing
Weight	9,5 kg
Mounting diameter	L140 max profile Ø 30...115 mm pipe
Materials	Hot dip galvanized steel
Versions	-
Options	-

M440/55-MAST LEG MOUNTING SET AEMK440-120-1



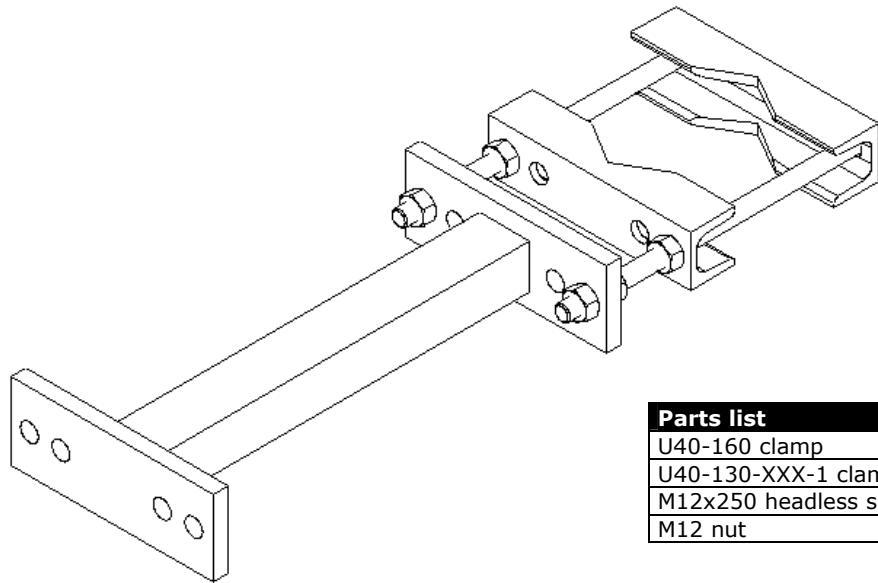
Type	AEMK440-120-1
Dimensions (H x W x D) (Ø x H)	See above drawing
Weight	1.8 kg
Mounting diameter	60mm pipe
Materials	Hot dip galvanized steel
Versions	-
Options	-

M440/55-MAST LEG SIDE MOUNTING SET AEMK440-270-1

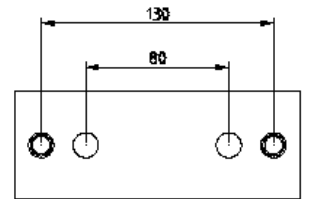
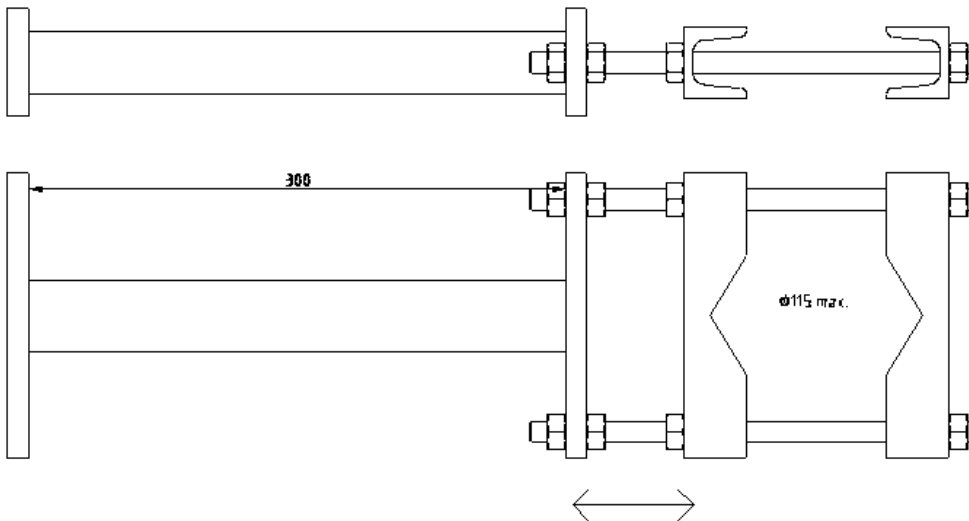


Type	AEMK440-270-1
Dimensions (H x W x D) (Ø x H)	See above drawing
Weight	2.3 kg
Mounting diameter	60mm pipe
Materials	Hot dip galvanized steel
Versions	-
Options	-

ADJUSTABLE WALL MOUNTING SET AEWMAXX-115-1

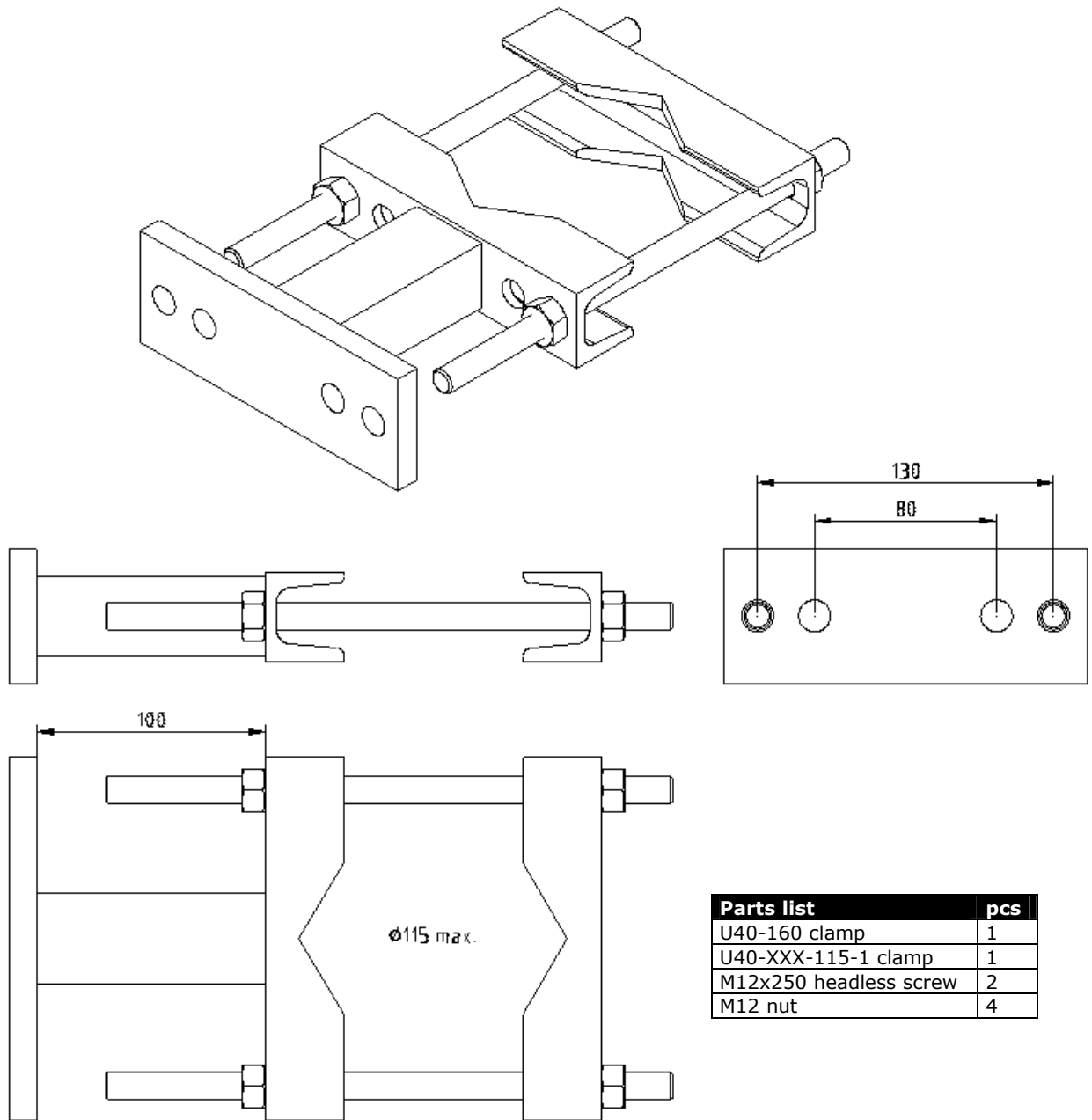


Parts list	pcs
U40-160 clamp	2
U40-130-XXX-1 clamp	1
M12x250 headless screw	2
M12 nut	8



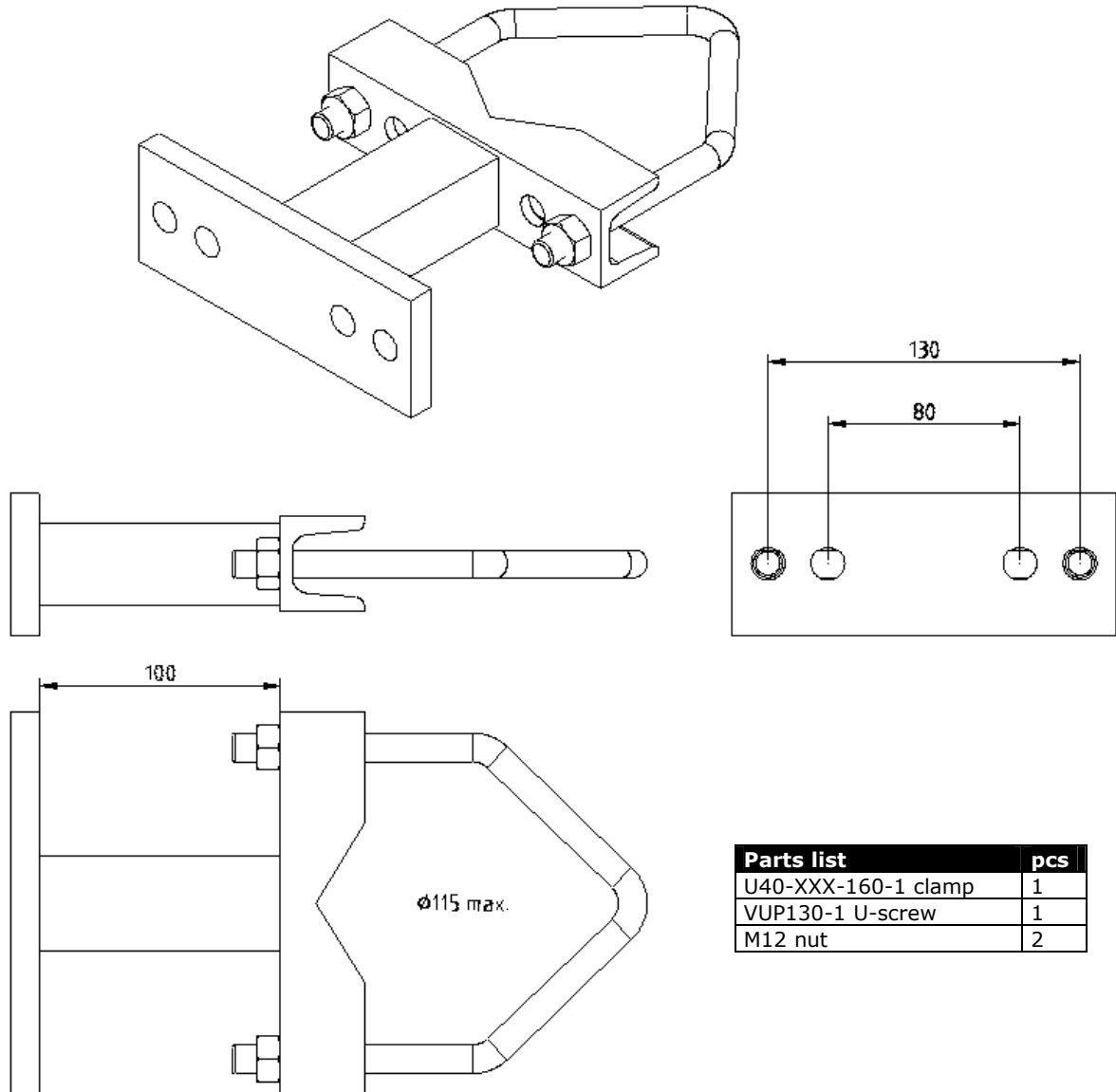
Type	AEWMAXX-115-1
Dimensions (H x W x D) (\varnothing x H)	See above drawing XXX=bracket length (300 in picture)
Weight	5.1 kg
Mounting diameter	30...115mm pipe
Materials	Hot dip galvanized steel
Versions	-
Options	-Bracket length (100,300,500mm in stock)

WALL MOUNTING SET AEWXXXX-115-1



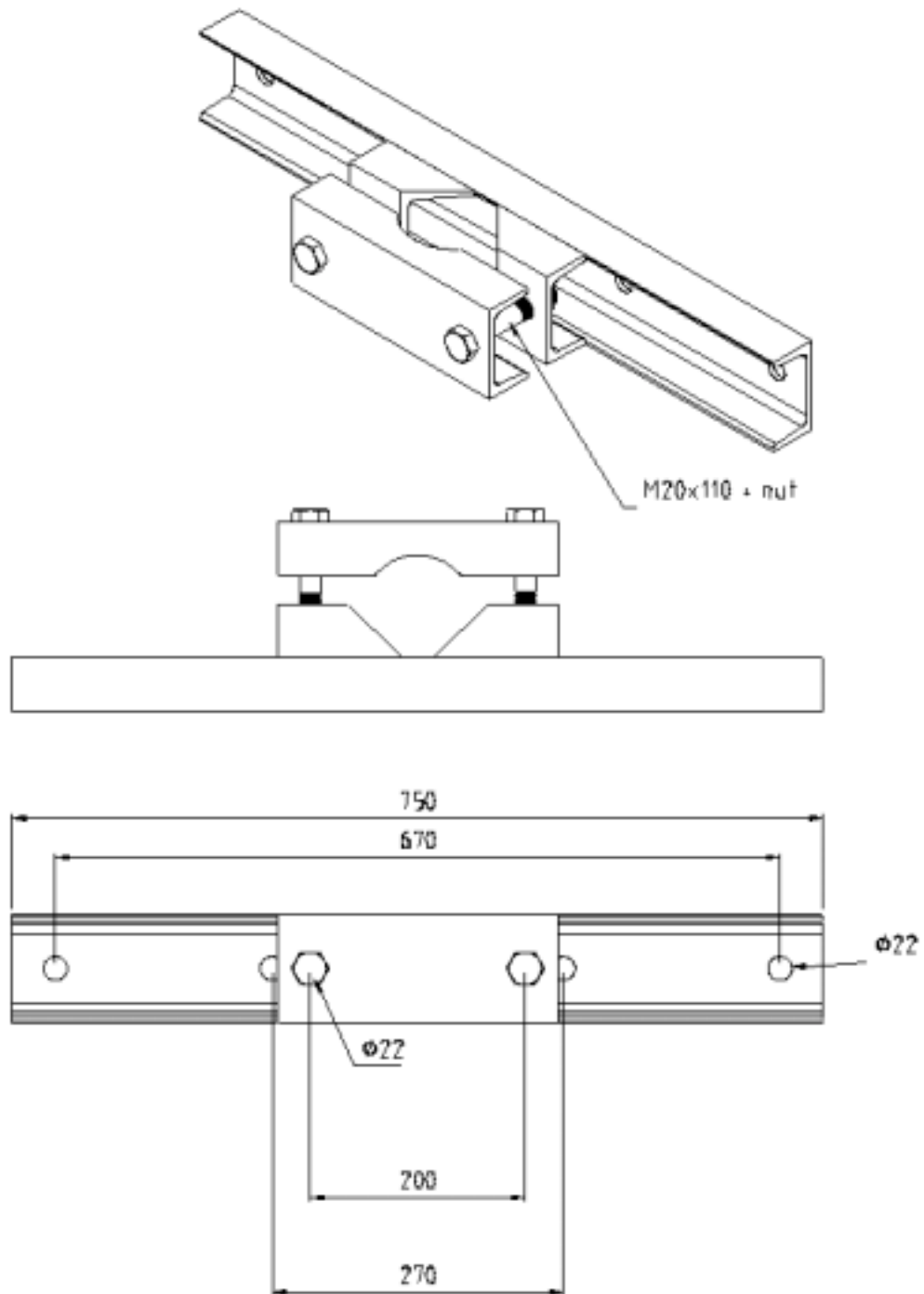
Type	AEWXXXX-115-1
Dimensions (H x W x D) (\varnothing x H)	See above drawing XXX=bracket length (100 in picture)
Weight	3.2 kg
Mounting diameter	See above drawing
Materials	Hot dip galvanized steel
Versions	-
Options	-Bracket length (XXX) (100,300,500mm in stock)

WALL MOUNTING SET AEWXXXX-115-2



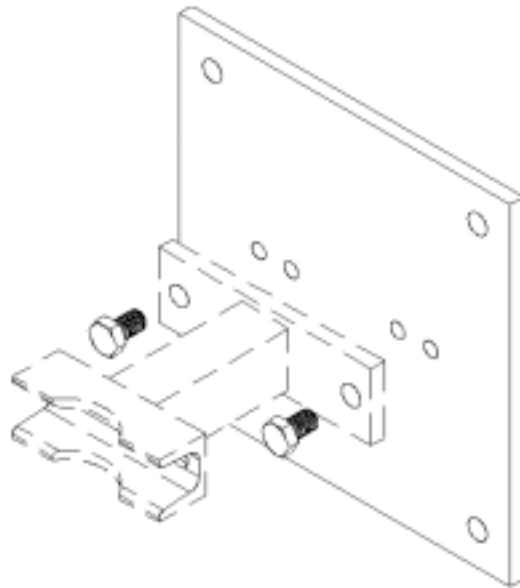
Type	AEWXXXX-115-2
Dimensions (H x W x D) (Ø x H)	See above drawing XXX=bracket length (100 in picture)
Weight	3.2 kg
Mounting diameter	See above drawing
Materials	Hot dip galvanized steel
Versions	-
Options	-Bracket length (XXX) (100,300,500mm in stock)

WALL MOUNTING SET AEW200-750-1

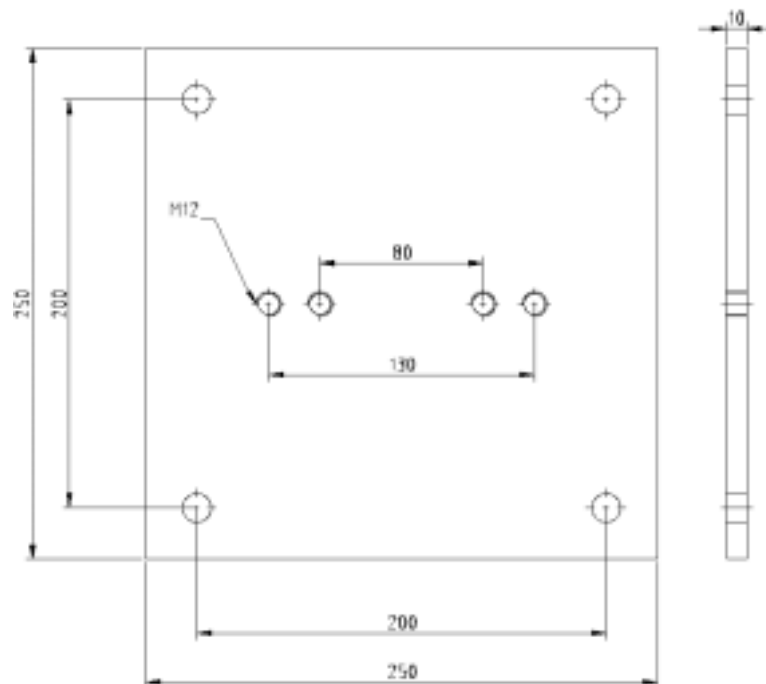


Type	AEWM200-750-1
Dimensions (H x W x D) (Ø x H)	See above drawing
Weight	12.9 kg
Mounting diameter	90mm pipe
Materials	Hot dip galvanized steel
Versions	-
Options	-

WALL MOUNTING PLATE AMWP250-250-1

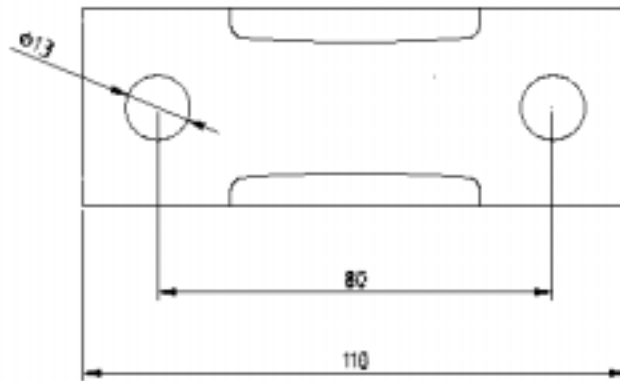
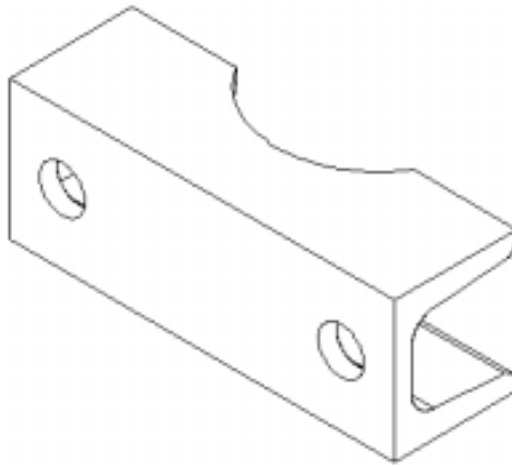


Bracket in the picture not included



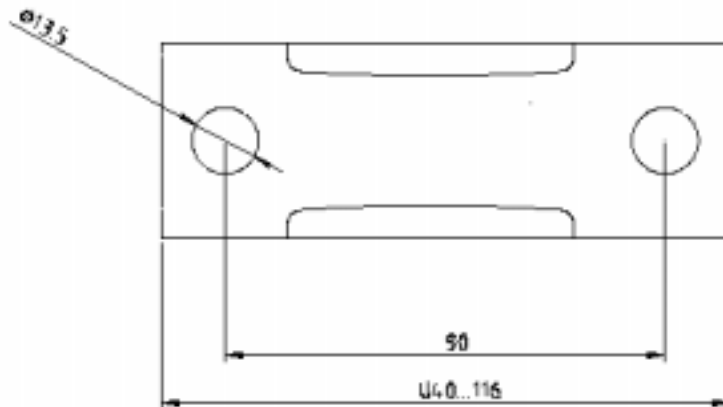
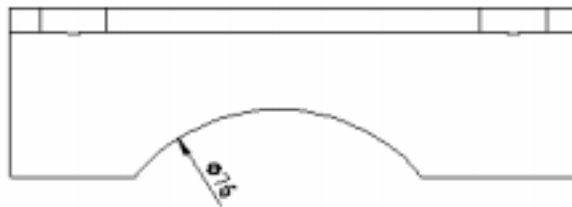
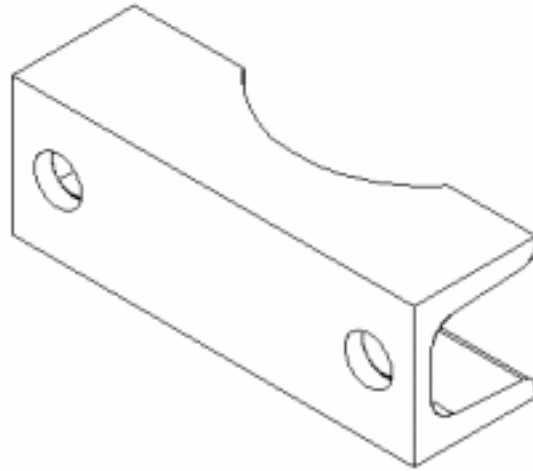
Type	AMWP250-250-1
Dimensions (H x W x D) (Ø x H)	See dimensions drawing
Weight	5 kg
Materials	Hot dip galvanized steel
Versions	-
Options	-

MOUNTING CLAMP U40-110



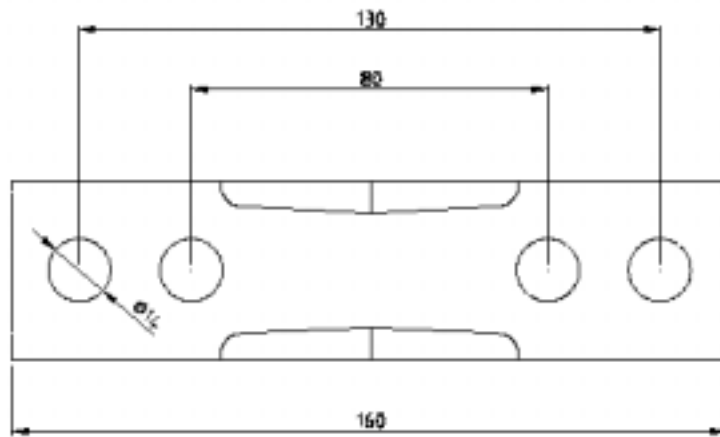
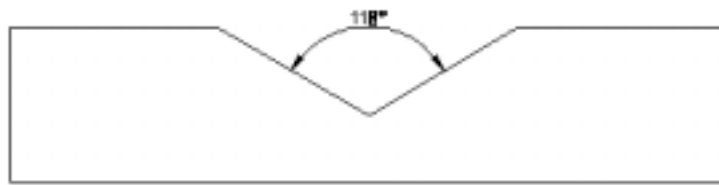
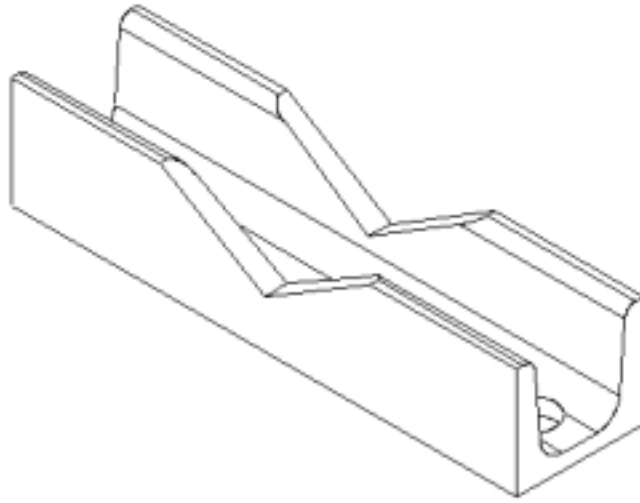
Type	U40-110
Dimensions (H x W x D) (Ø x H)	See above drawing
Weight	0.5 kg
Materials	Hot dip galvanized steel
Versions	-
Options	-

MOUNTING CLAMP U40-110-76



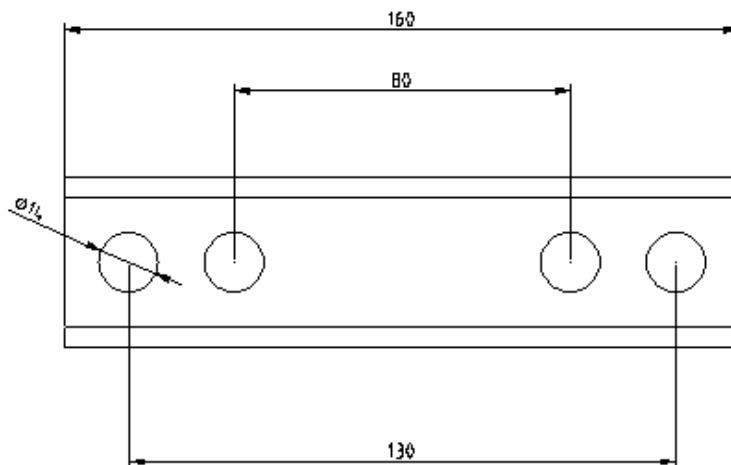
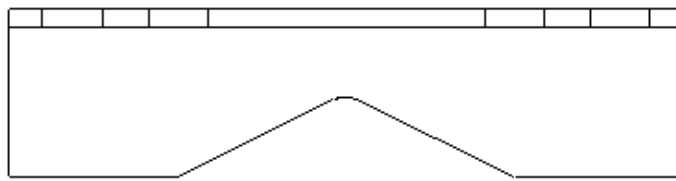
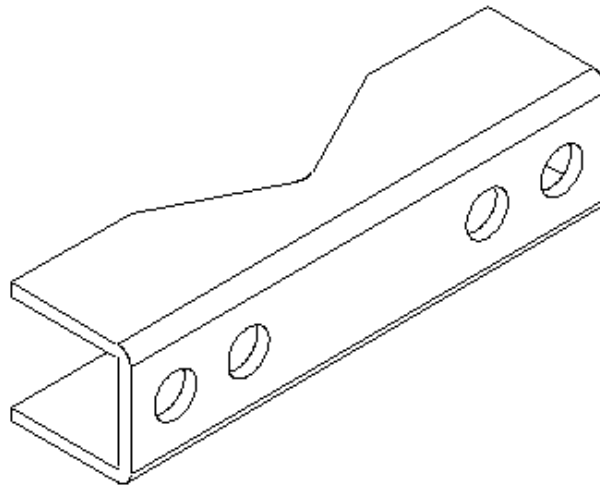
Type	U40-110-76
Dimensions (H x W x D) (ϕ x H)	See above drawing
Weight	0.5 kg
Materials	Hot dip galvanized steel
Versions	-
Options	-

MOUNTING CLAMP U40-160



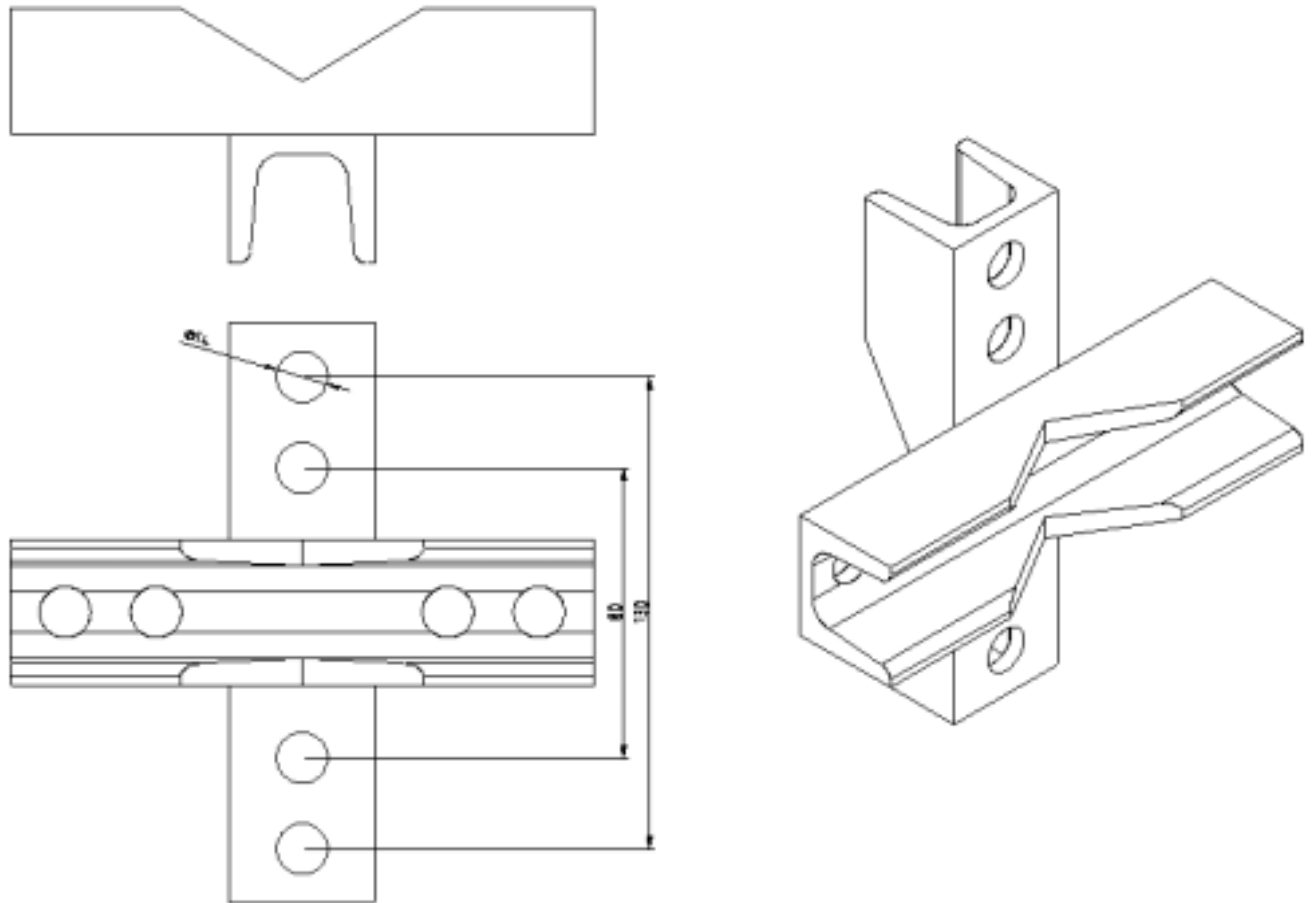
Type	U40-160
Dimensions (H x W x D) (Ø x H)	See above drawing
Weight	0.75 kg
Materials	Hot dip galvanized steel
Versions	-
Options	-

MOUNTING CLAMP U40-160L



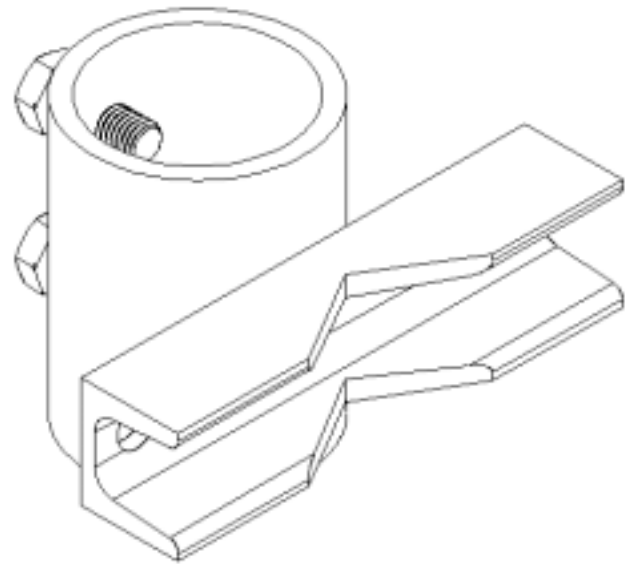
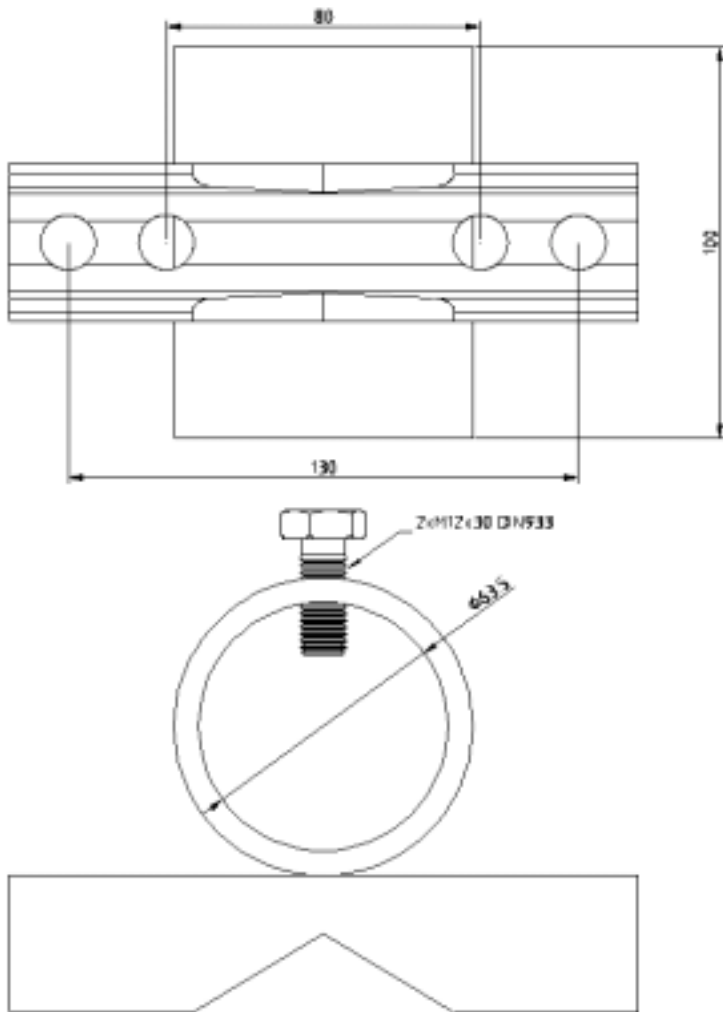
Type	U40-160L (plate version)
Dimensions (H x W x D) (Ø x H)	See above drawing
Weight	0.4 kg
Materials	Hot dip galvanized steel
Versions	-
Options	-

MOUNTING CLAMP U40-160X



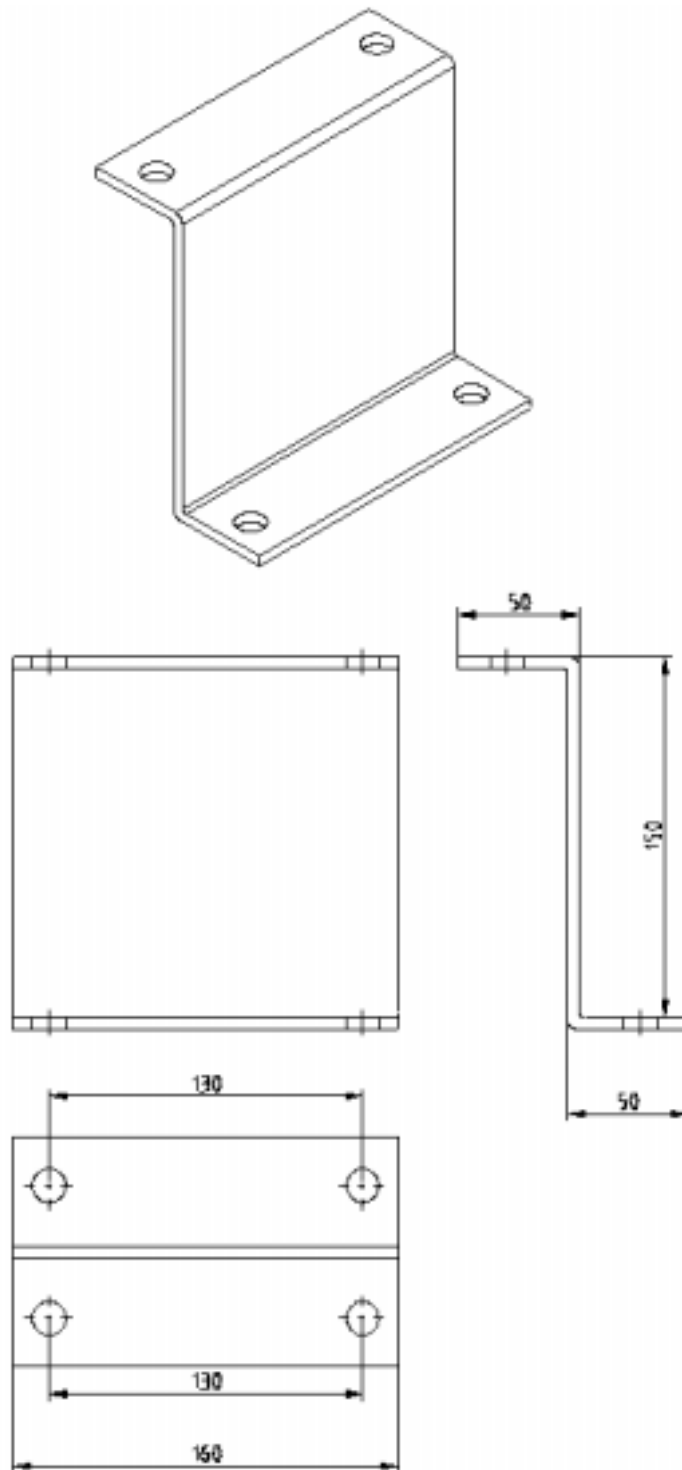
Type	U40-160X
Dimensions (H x W x D) (Ø x H)	See above drawing
Weight	1.5kg
Materials	Hot dip galvanized steel
Versions	-
Options	-

MOUNTING CLAMP U40-160T



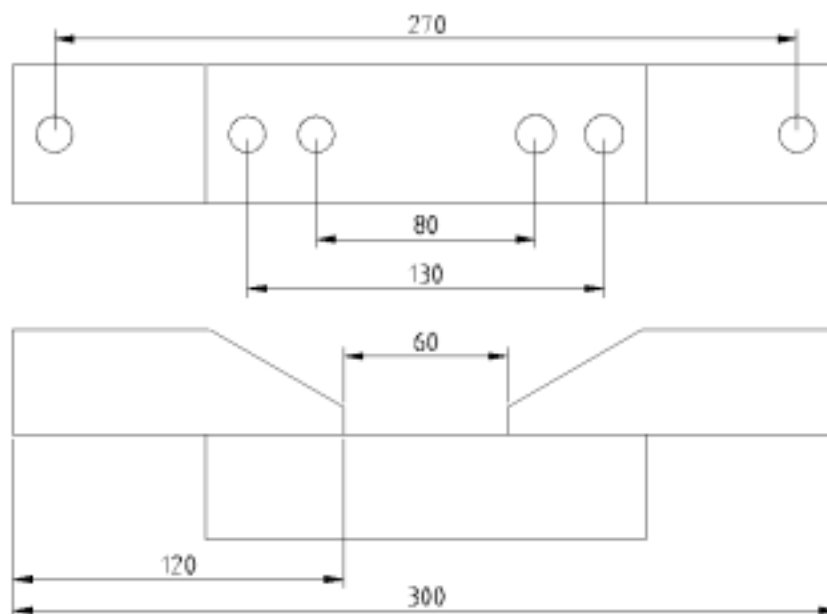
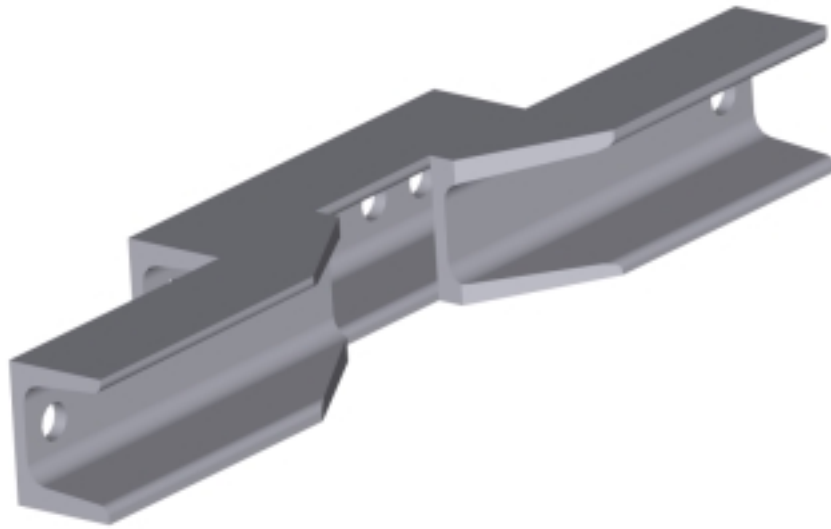
Type	U40-160T
Dimensions (H x W x D) (Ø x H)	See above drawing
Weight	1.3 kg
Materials	Hot dip galvanized steel
Versions	-
Options	-

MOUNTING CLAMP Z160-1



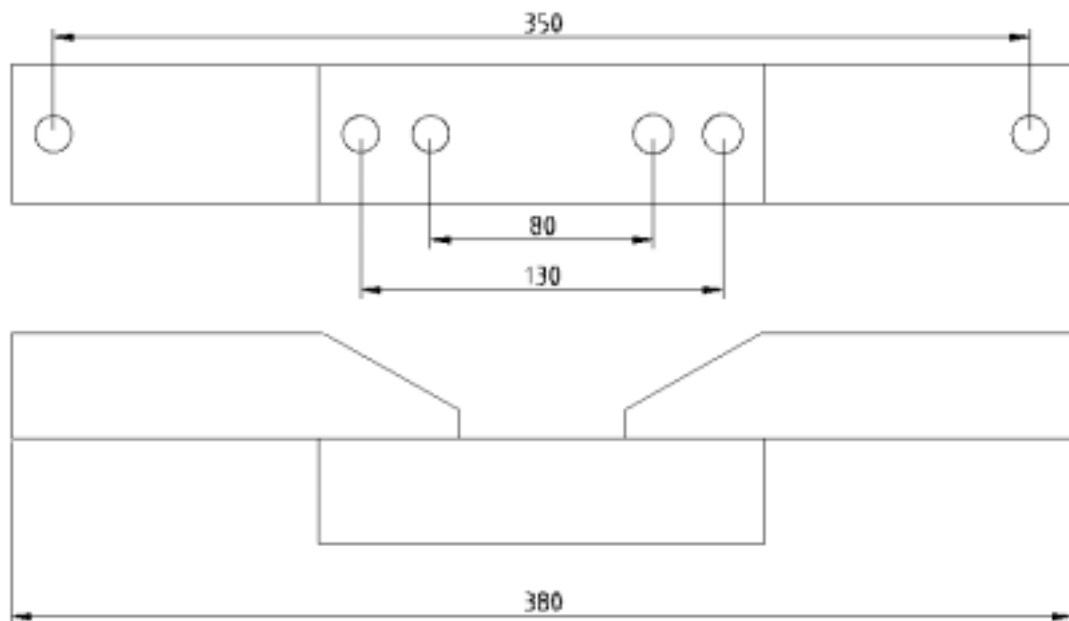
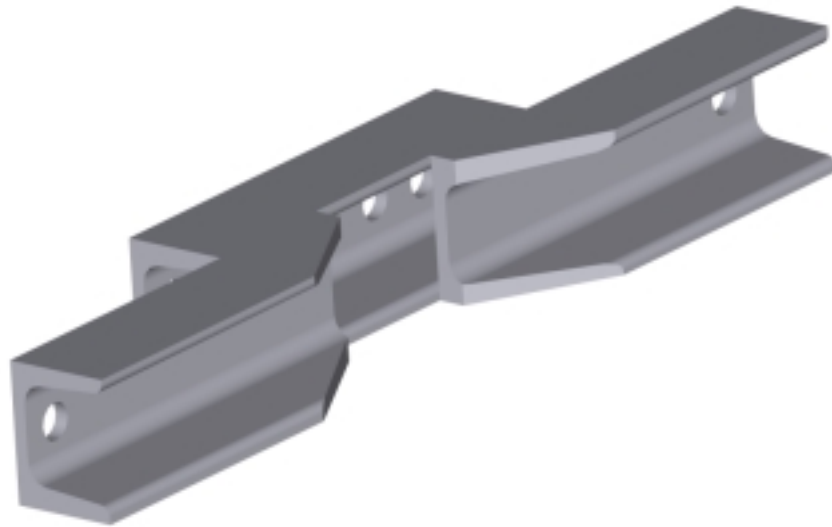
Type	Z160-1
Dimensions (H x W x D) (Ø x H)	See above drawing
Weight	0.5kg
Materials	Hot dip galvanized steel
Versions	-
Options	-

MOUNTING CLAMP U50-300-1



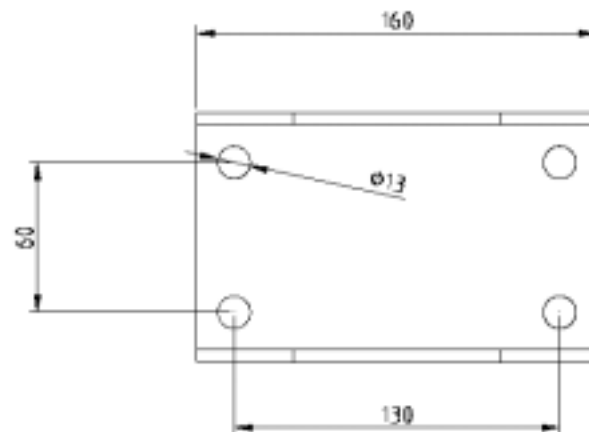
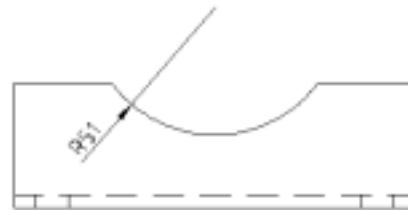
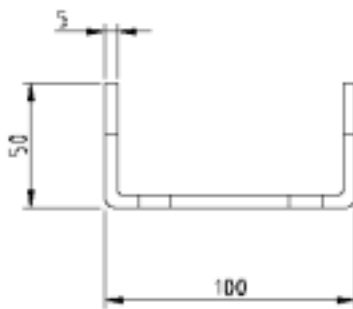
Type	U50-300-1
Dimensions (H x W x D) (Ø x H)	See dimensions drawing
Weight	2,5 kg
Mounting diameter	Ø 115-258 mm pipe
Materials	Hot dip galvanized steel
Versions	-
Options	-

MOUNTING CLAMP U50-380-1



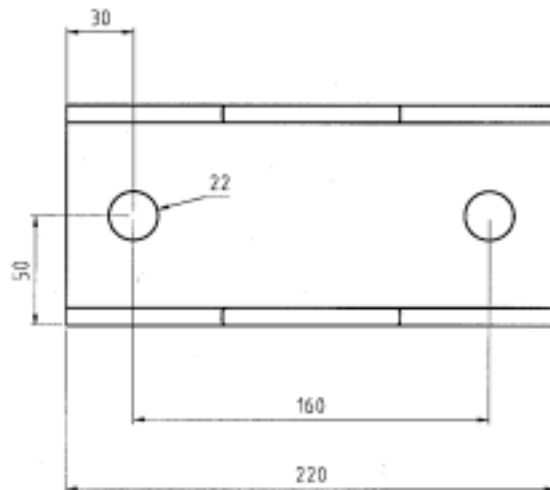
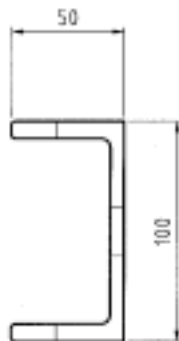
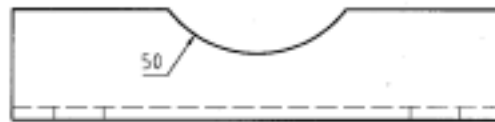
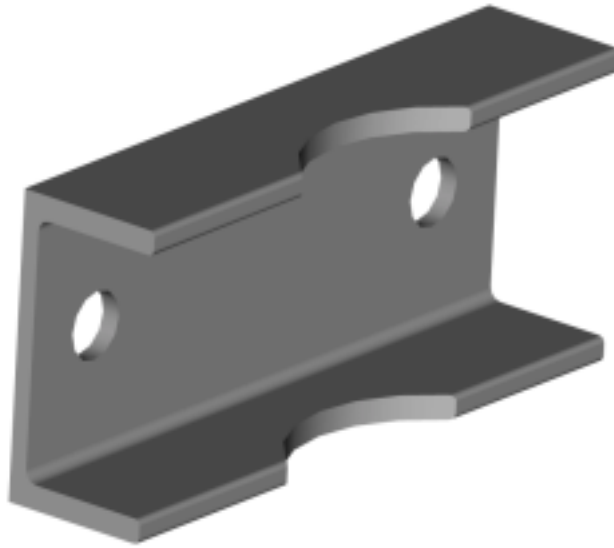
Type	U50-380-1
Dimensions (H x W x D) (Ø x H)	See dimensions drawing
Weight	2,5 kg
Mounting diameter	Ø 115-330 mm pipe
Materials	Hot dip galvanized steel
Versions	-
Options	-

MOUNTING CLAMP U100-160



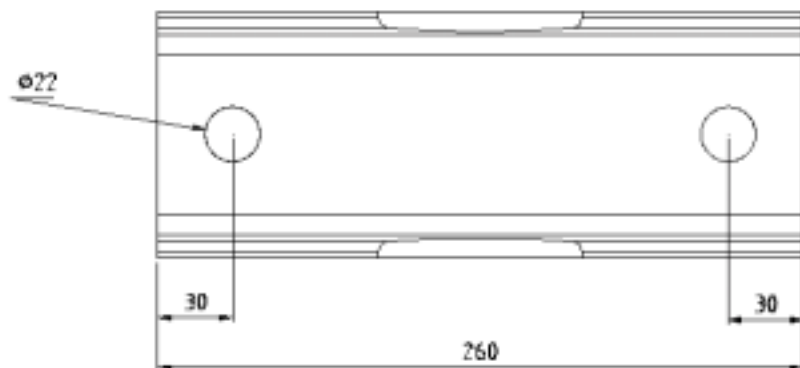
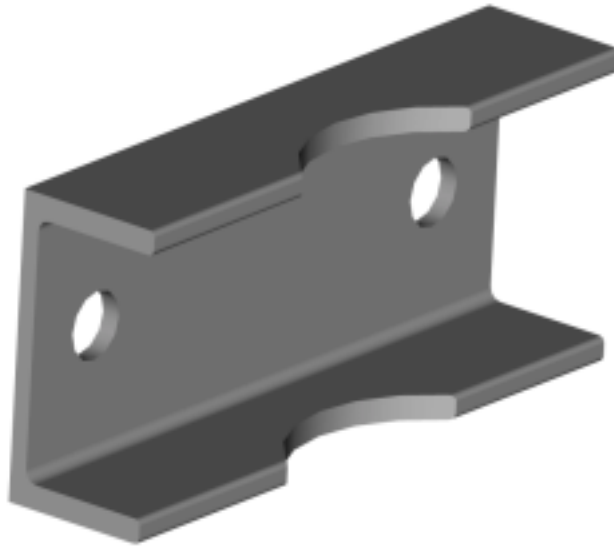
Type	U100-160
Dimensions (H x W x D) (Ø x H)	See dimensions drawing
Weight	1 kg
Mounting diameter	Ø 100 mm pipe
Materials	Hot dip galvanized steel
Versions	-
Options	-

MOUNTING CLAMP U100-220



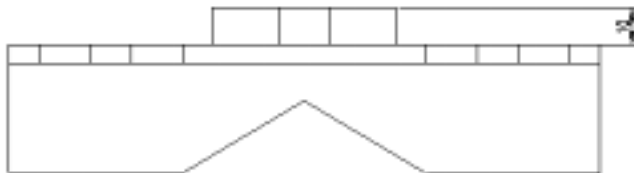
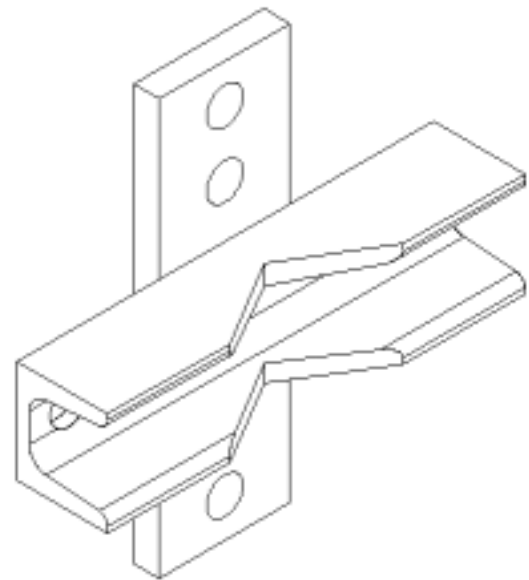
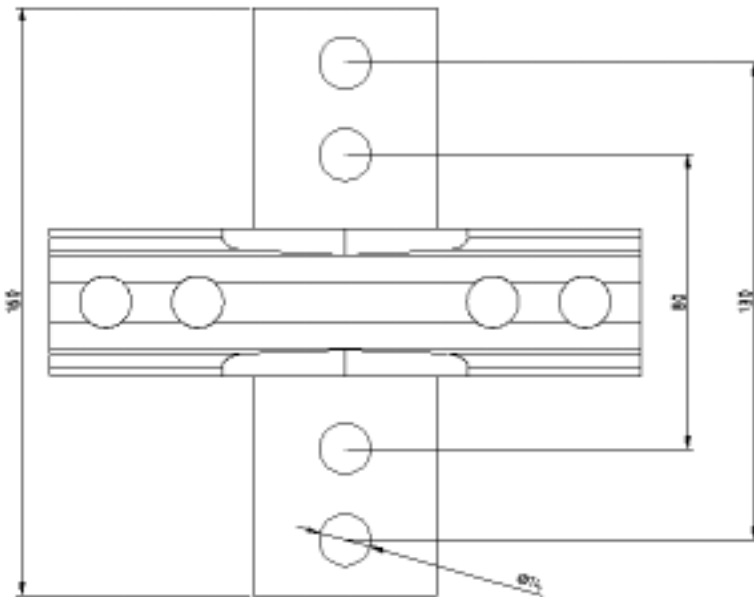
Type	U100-220
Dimensions (H x W x D) (Ø x H)	See dimensions drawing
Weight	2,1 kg
Mounting diameter	Ø 100 mm pipe
Materials	Hot dip galvanized steel
Versions	-
Options	-

MOUNTING CLAMP U100-260



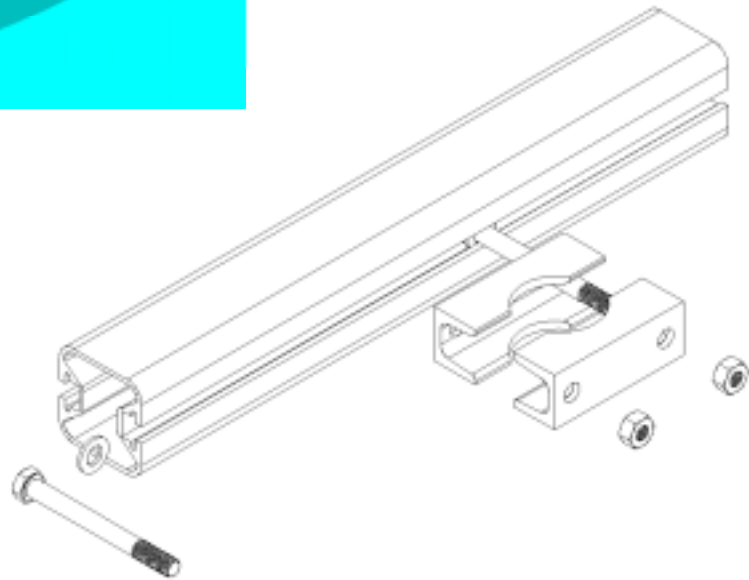
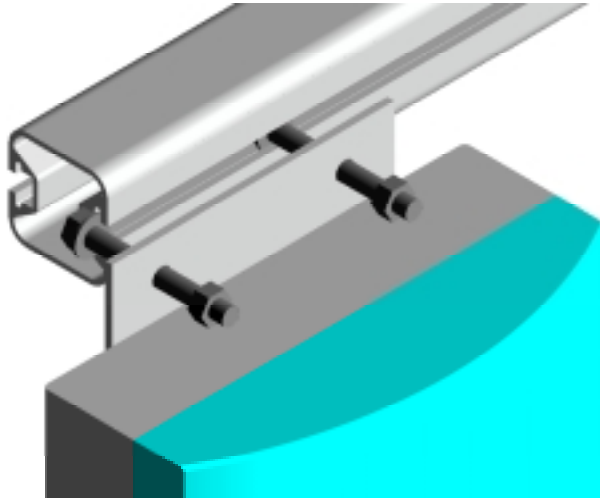
Type	U100-260
Dimensions (H x W x D) (\varnothing x H)	See dimensions drawing
Weight	2,3 kg
Mounting diameter	\varnothing 100 mm pipe
Materials	Hot dip galvanized steel
Versions	-
Options	-

MOUNTING CLAMP U40-160F



Type	U40-160F
Dimensions (H x W x D) (Ø x H)	See above drawing
Weight	1.3 kg
Materials	Hot dip galvanized steel
Versions	-
Options	-

ASSEMBLY PROFILE



Type	Assembly profile
Dimensions (H x W x D) (Ø x H)	70 x 70 x 6000
Weight	3.58 kg/m
Mounting diameter	M12 bolts
Materials	Aluminium EN-AW6063 T6
Versions	-
Options	Anodic oxidation Multiple mounting methods