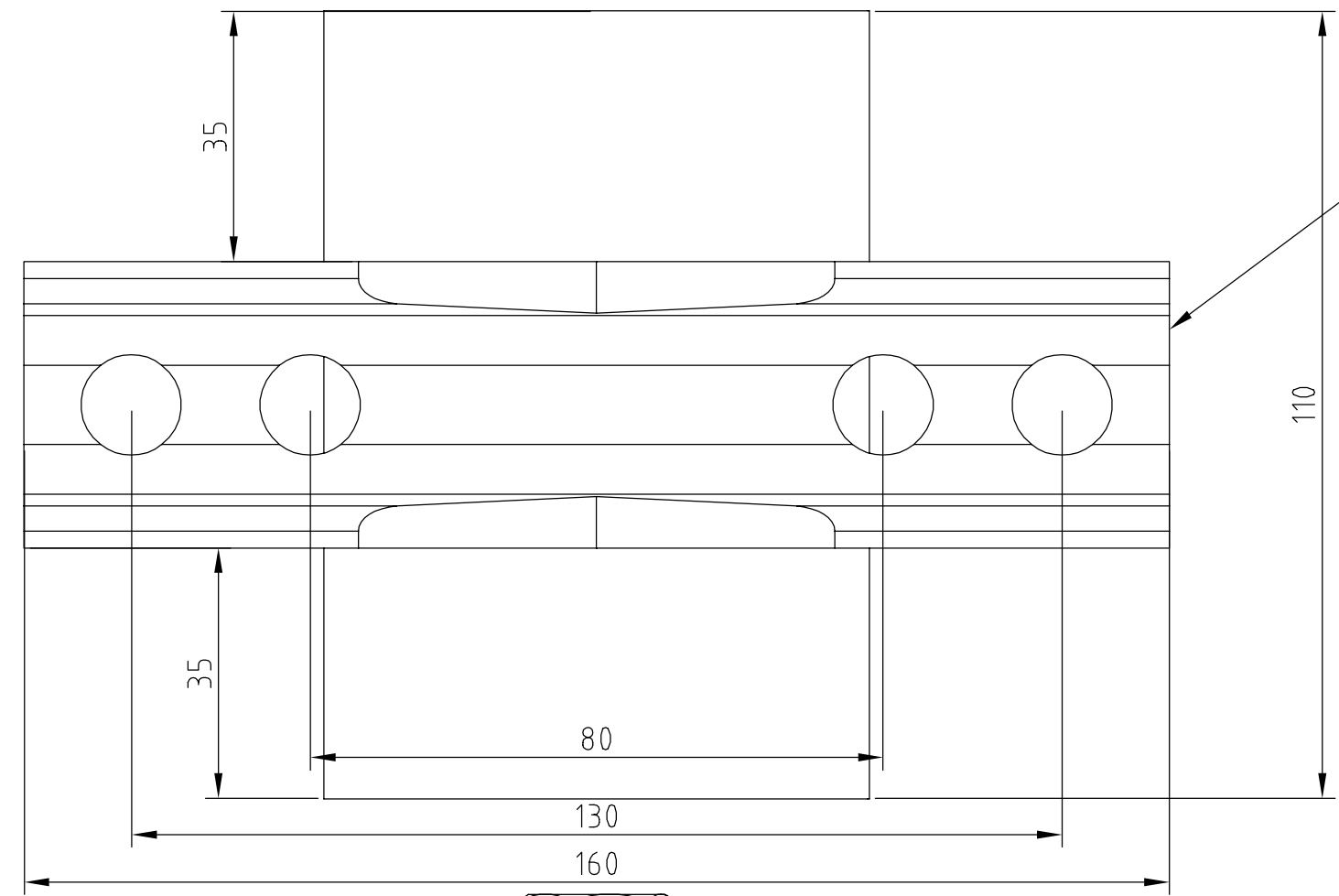
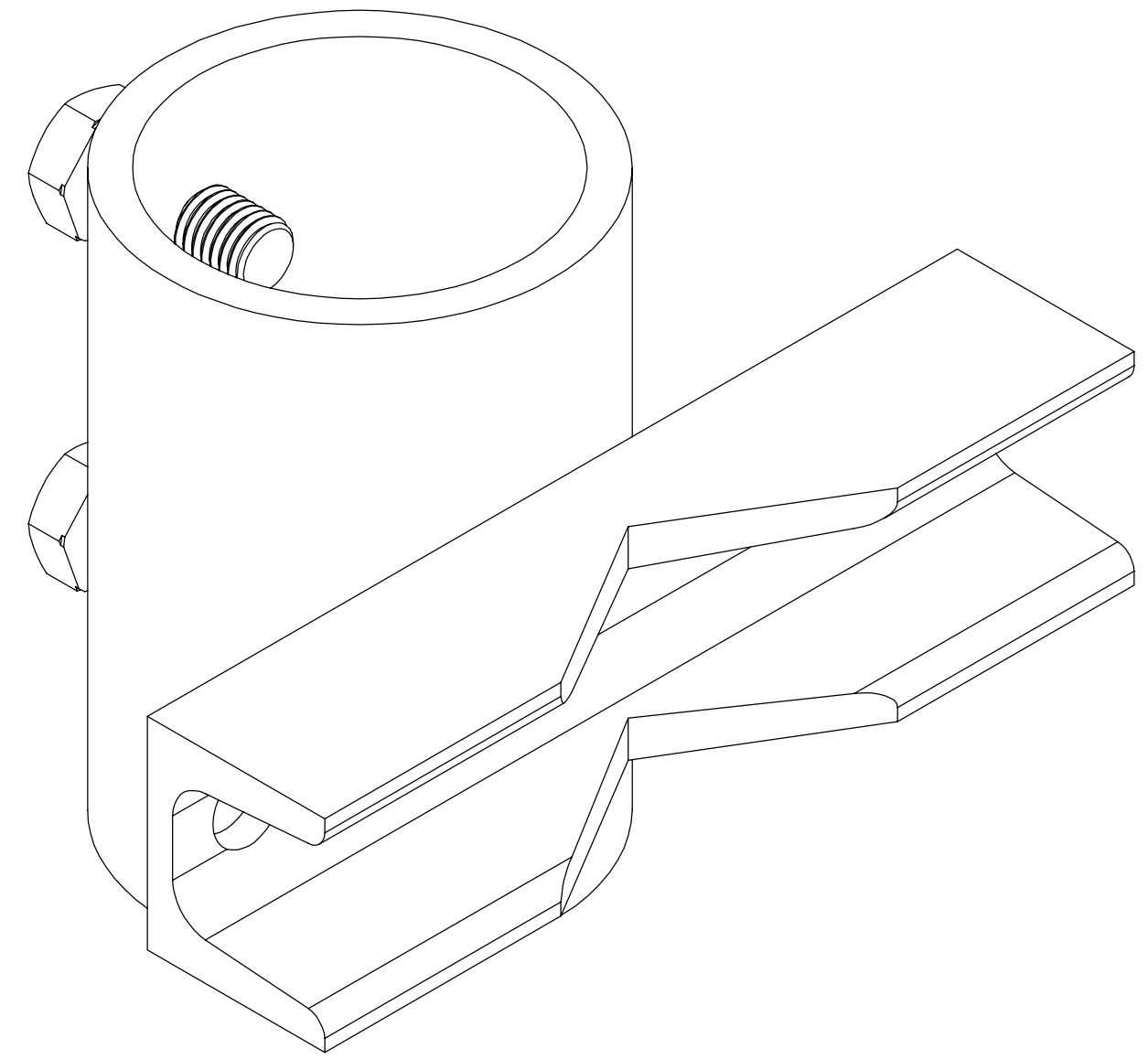


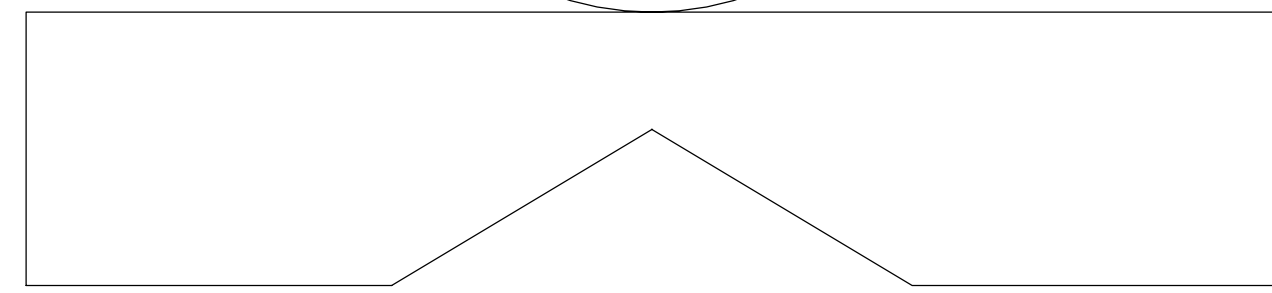
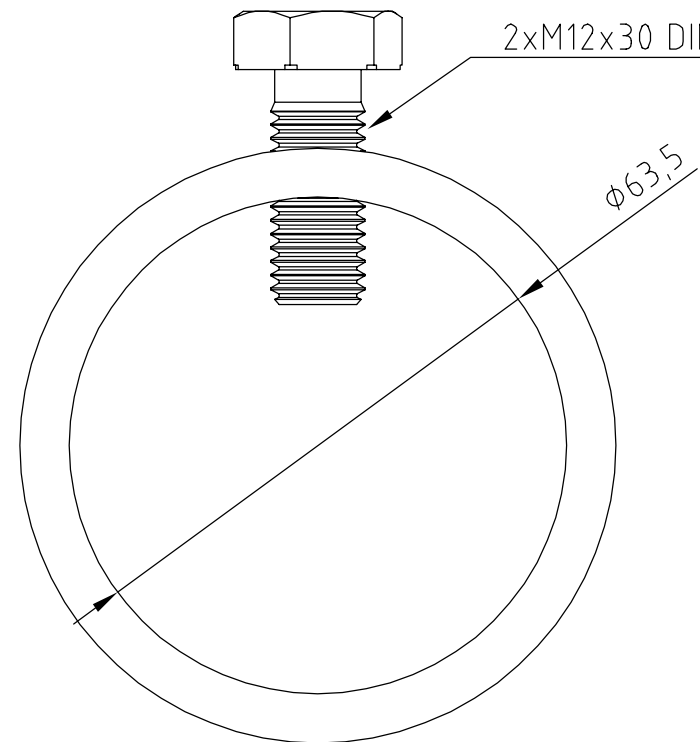
13604




U40-160 vakiopala



2xM12x30 DIN933



Design	10.1.2001	at	Scale 1:1	Associated with Tolerance class middle	Description 1 U40-160T
Drawn	10.1.2001	at			Description 2 Kiinnityspala putkikiinnityksellä
Check					Description 3
Approv.					
Plot Date			 Aerial Oy Tel. +358-9-2790 120 Fax. +358-9-2910 210 Box 22 04401 Järvenpää Finland http://www.aerial.fi aerial@aerial.fi	Material 1 Fe37 Hzn	
Mass 1.8kg				Outline size	
DWG	