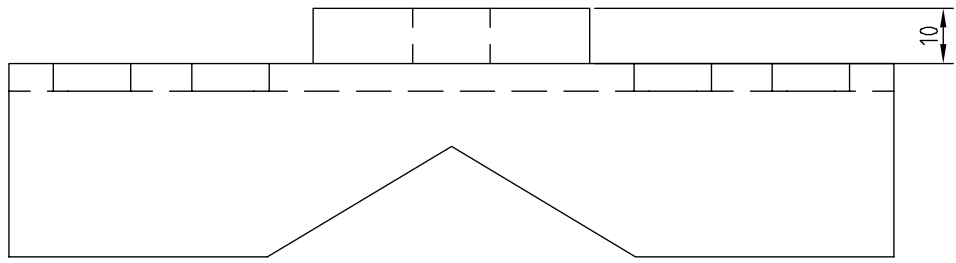
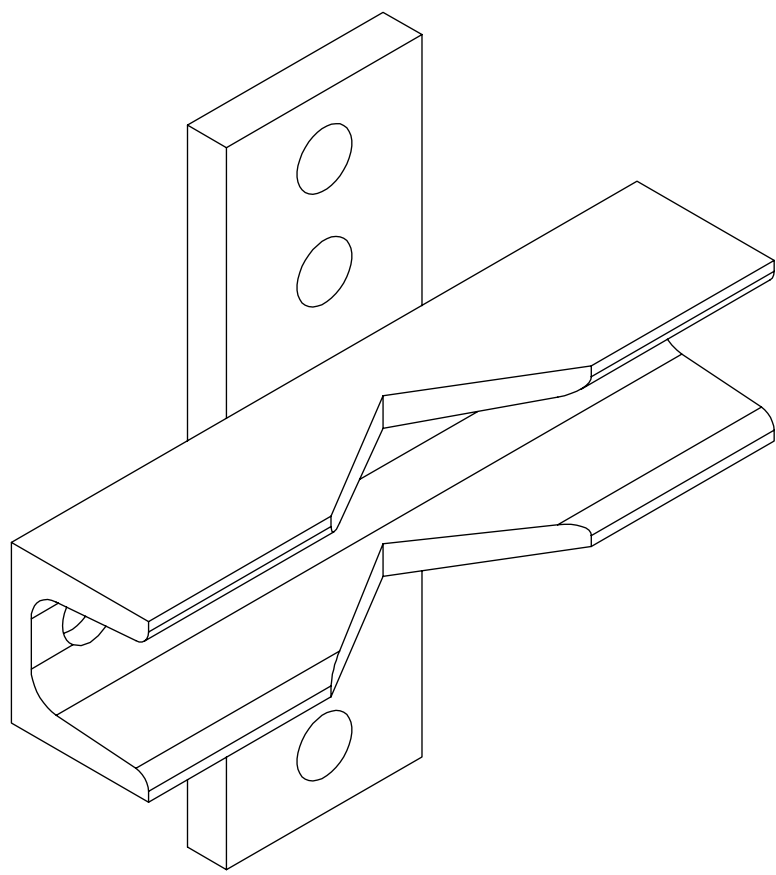
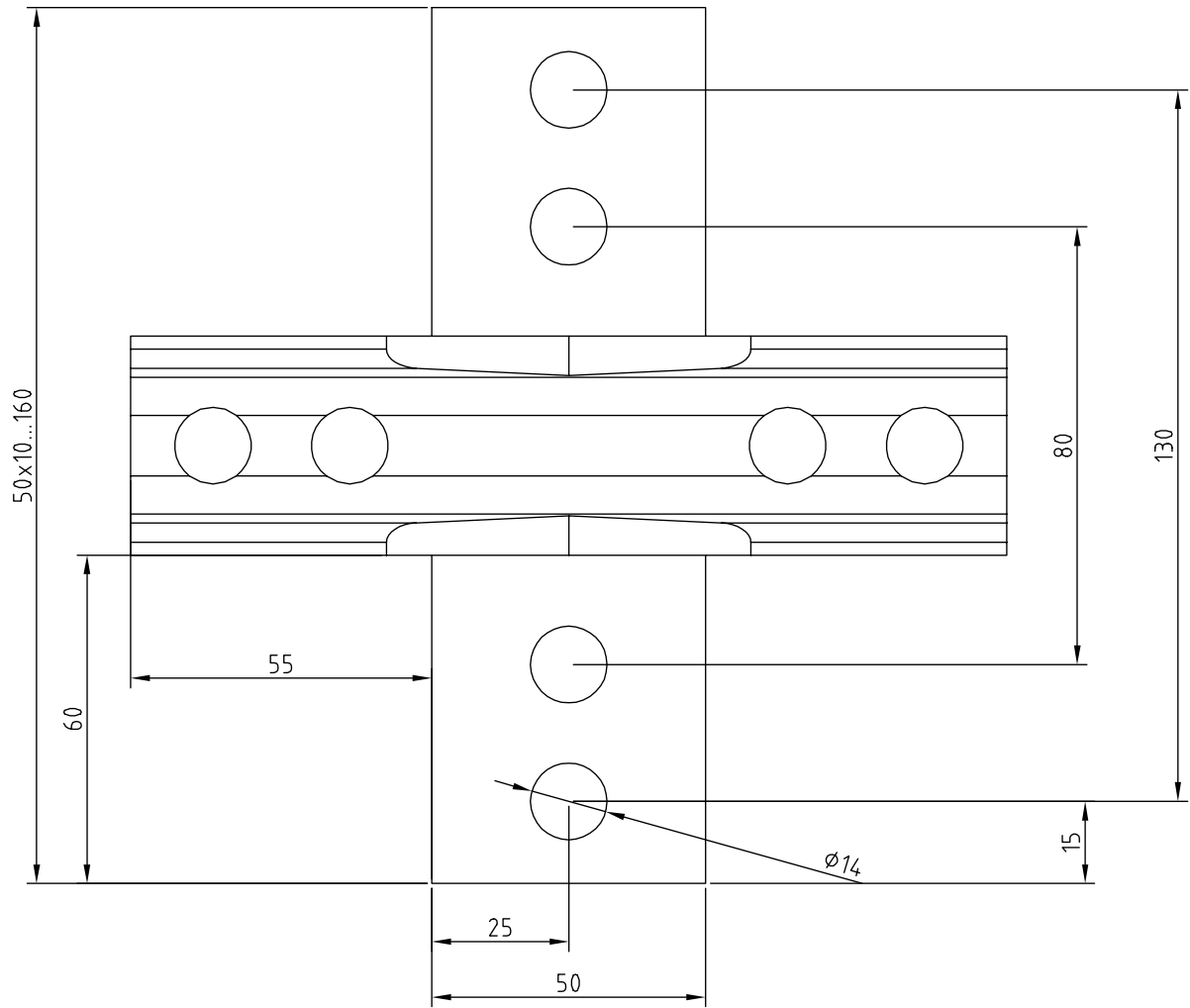


13584



Design	10.1.2001	at	Scale	Associated with	Description 1
Drawn	10.1.2001	arno	1:1	Tolerance class	U40-160F
Check					middle
Approv.					Kiinnityspala latalla
Plot Date					Description 3
Mass					Material 1
DWG					Fe37 Hzn
					Outline size

**Aerial Oy**  
 Tel. +358-9-2790 120 Fax. +358-9-2910 210  
 Box 22 04401 Järvenpää Finland  
 http://www.aerial.fi aerial@aerial.fi