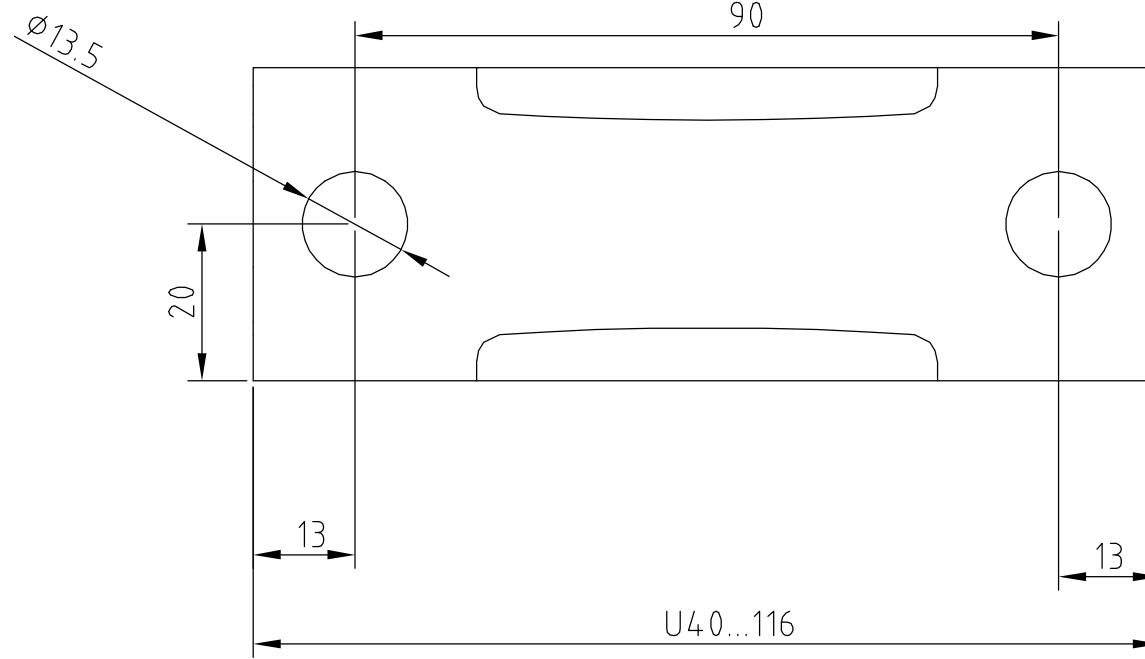
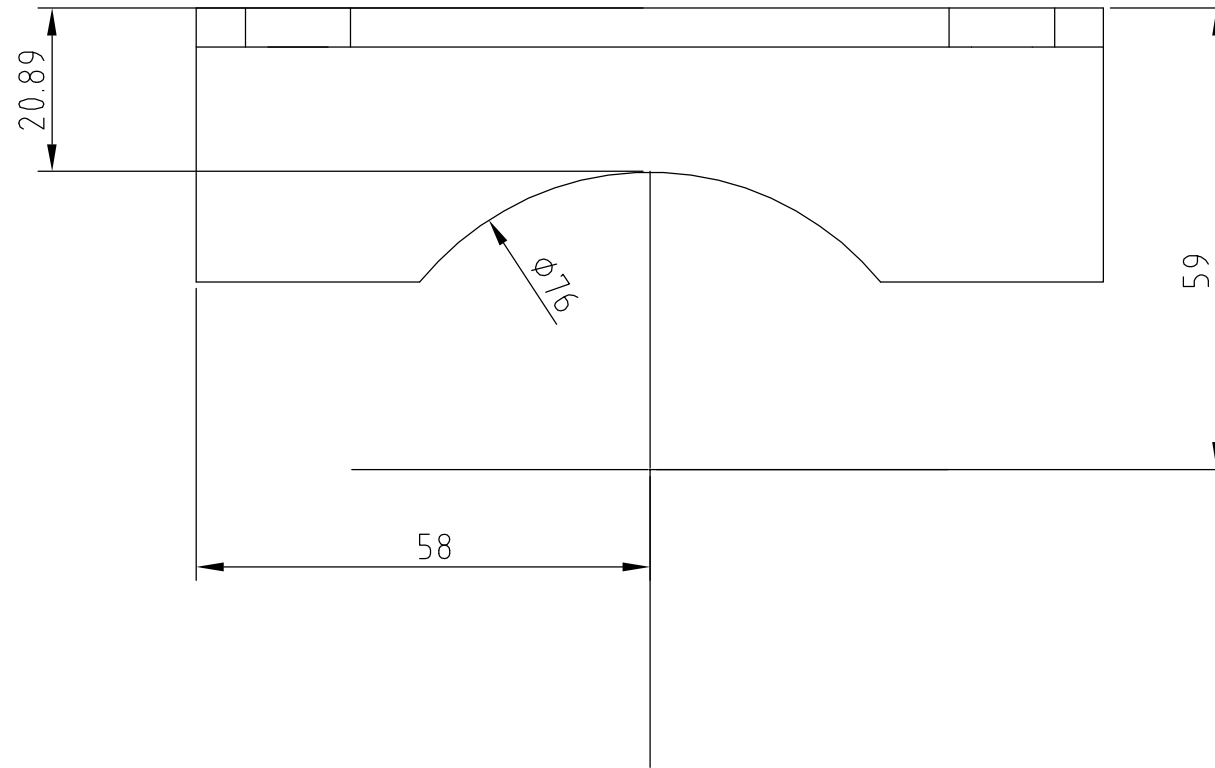
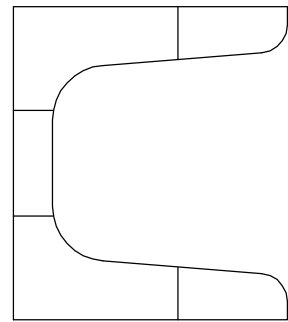
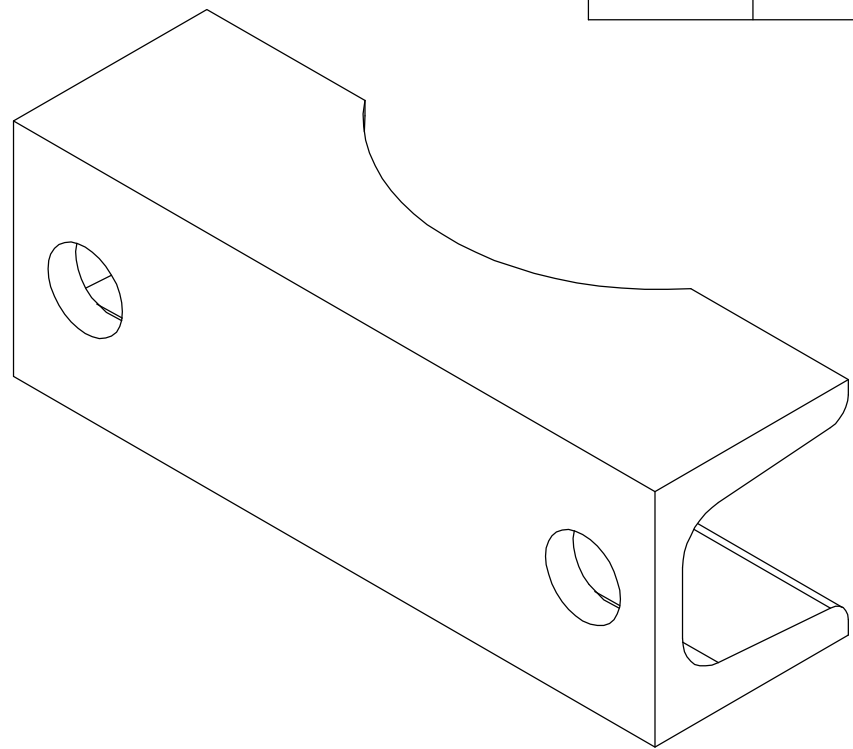



13338



| | | | | | |
|-----------|------------|-----|---|--|---|
| Design | 12.12.2000 | kpt | Scale 1:1 | Associated with Tolerance class middle | Description 1 U40-110-76 |
| Drawn | 12.12.2000 | at | | | Description 2 Kiinnityspala ø76 putkelle |
| Check | | | | | Description 3 |
| Approv. | | | | Material 1 Fe37 | |
| Plot Date | | |  Aerial Oy Tel. +358-9-2790 120 Fax. +358-9-2910 210 Box 22 04401 Järvenpää Finland http://www.aerial.fi aerial@aerial.fi | Outline size | |
| Mass | | | | | |

DWG
 LEIKKI- tai TOPEKIMENNAKOKO/LEIKKI- tai KIINNITYSPALA(U40-110-76)dy