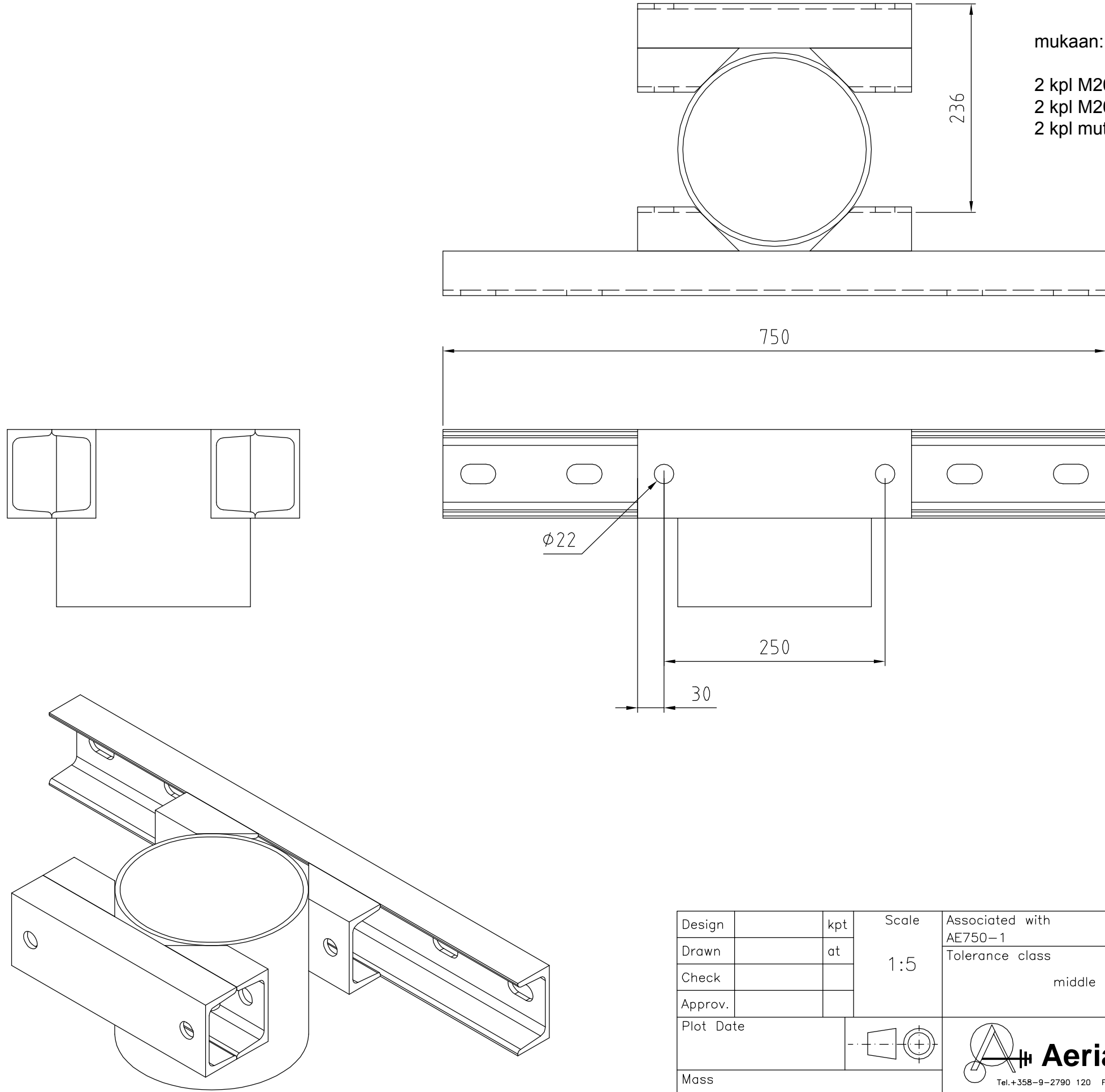


13275



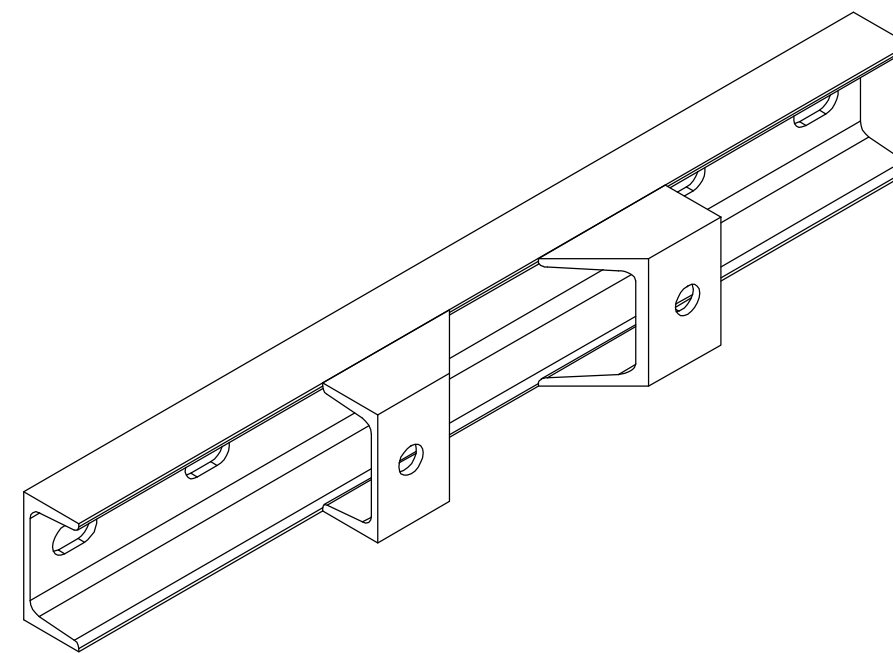
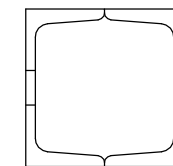
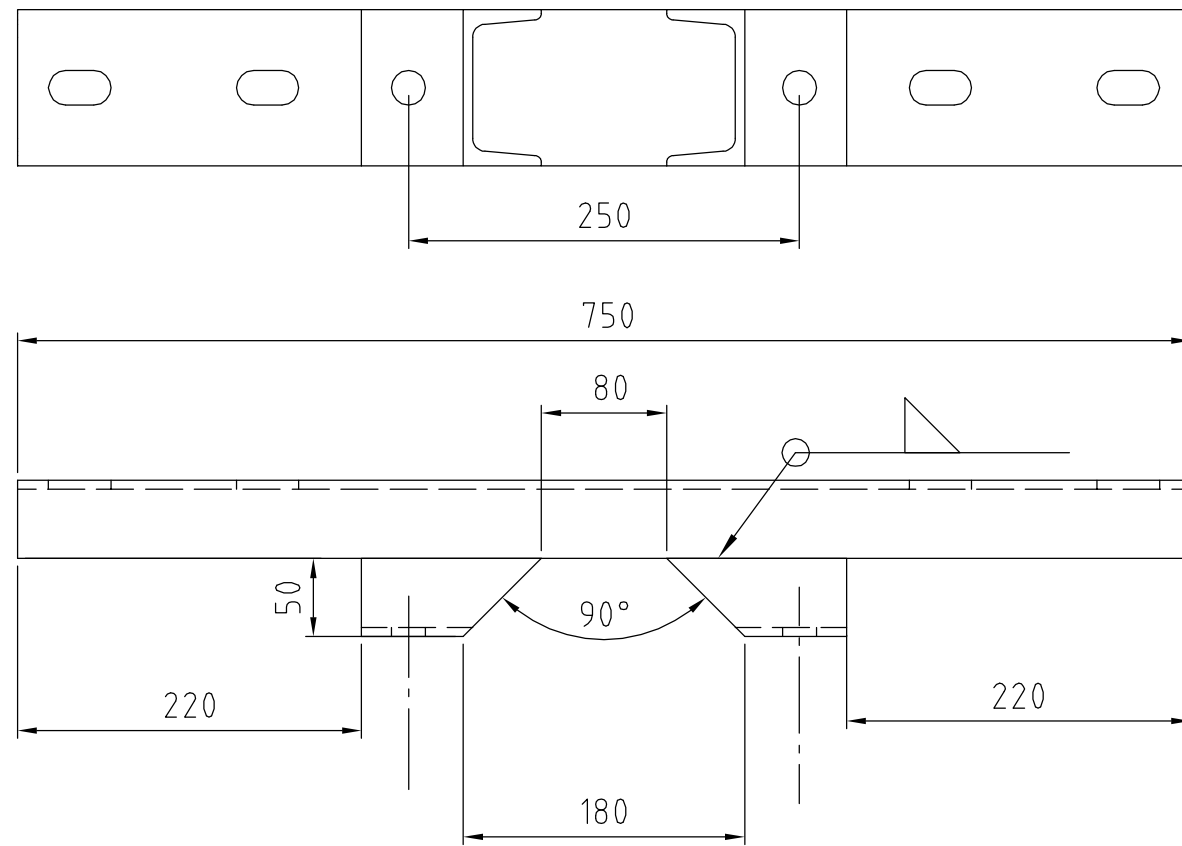
mukaan:


- 2 kpl M20x120 ruuvi 8.8 DIN 931 osakierre
- 2 kpl M20 aluslevy DIN 934
- 2 kpl mutteri DIN 934

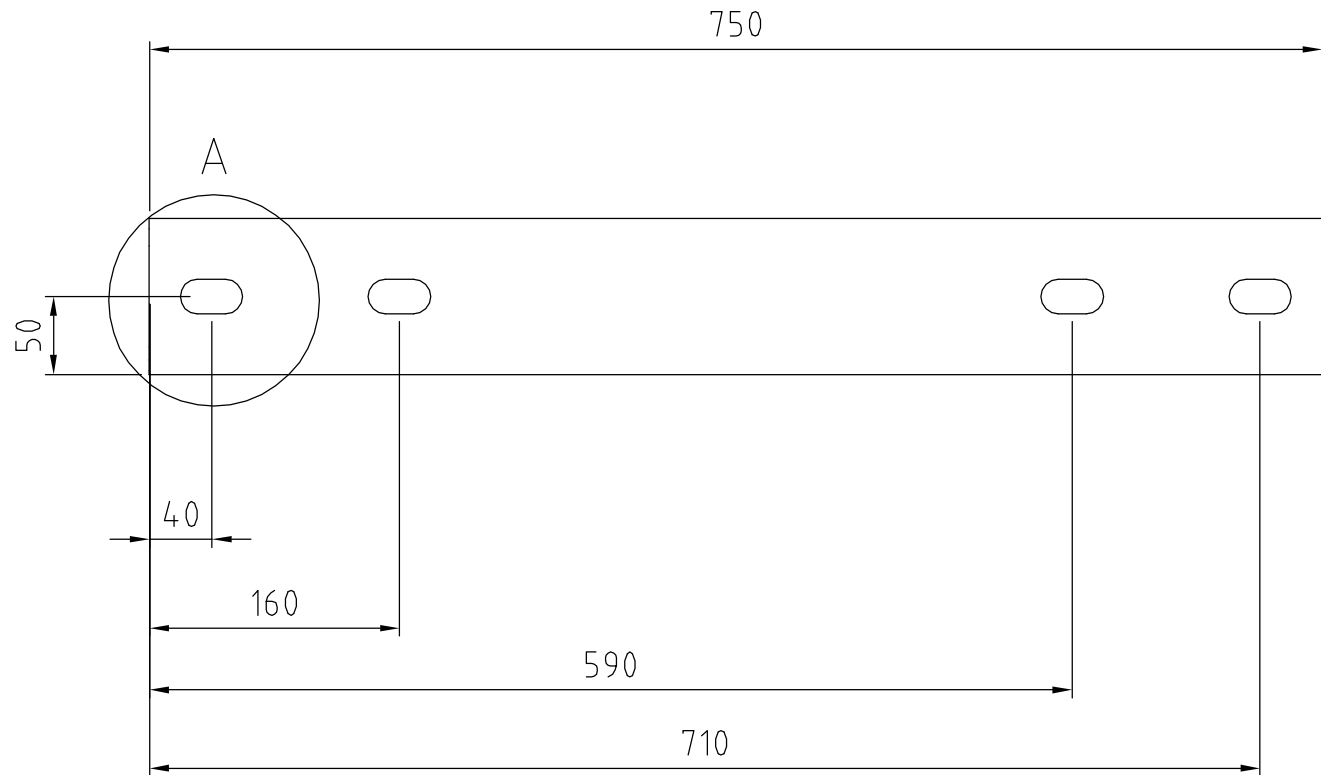
Design		kpt	Scale	Associated with	Description 1
Drawn		at	1:5	AE750-1	AEWM200-750-1
Check				Tolerance class	Seinäkiinnityspalkki
Approv.				middle	Ø219mm putkelle
Plot Date					Material 1
Mass					Fe37
DWG					Outline size



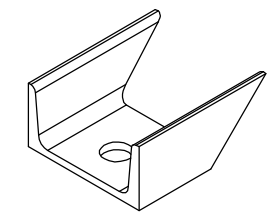
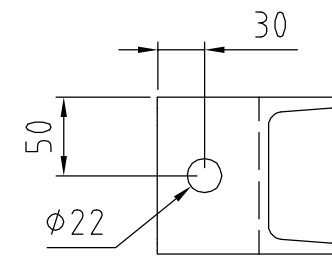
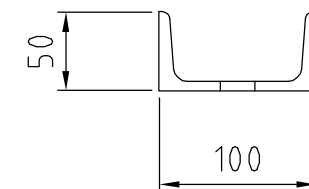
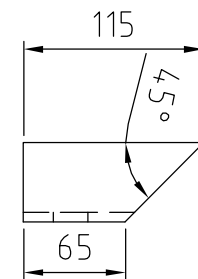
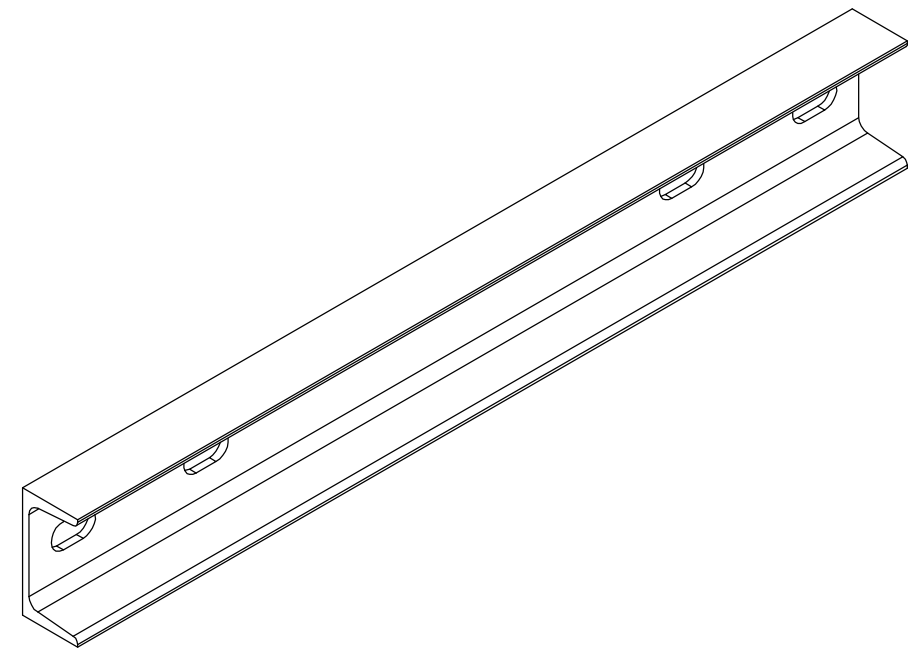
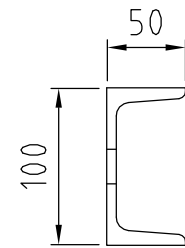
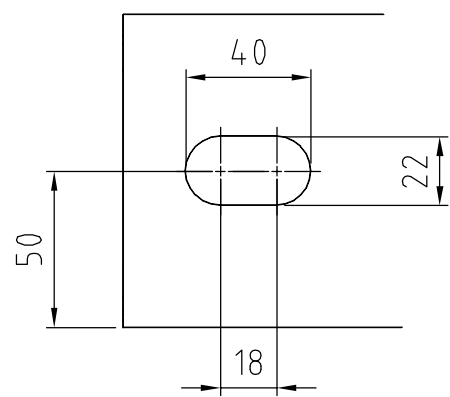
**Aerial Oy**  
 Tel. +358-9-2790 120 Fax. +358-9-2910 210  
 Box 22 04401 Järvenpää Finland  
 http://www.aerial.fi aerial@aerial.fi




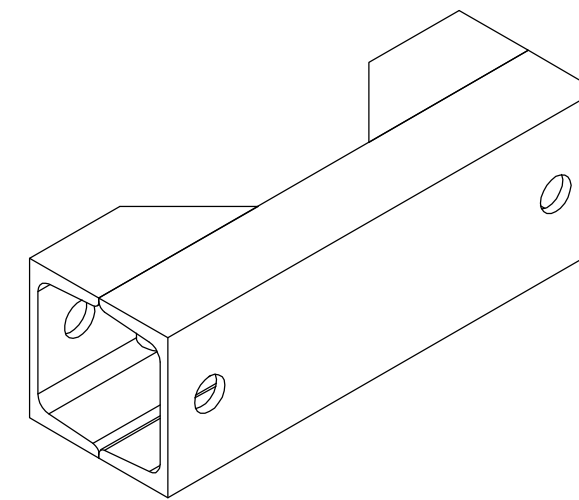
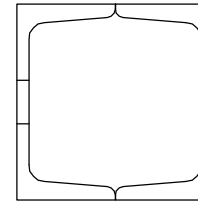
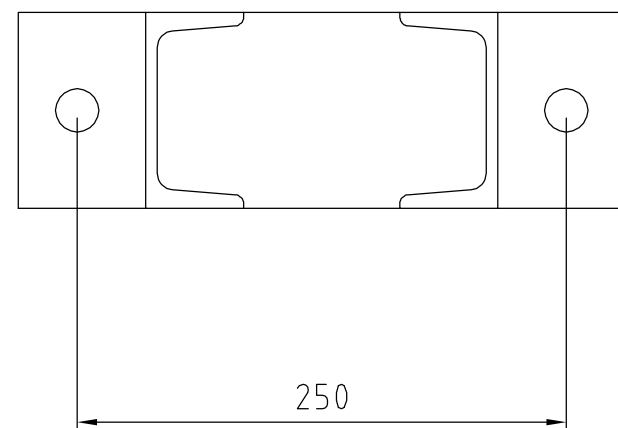
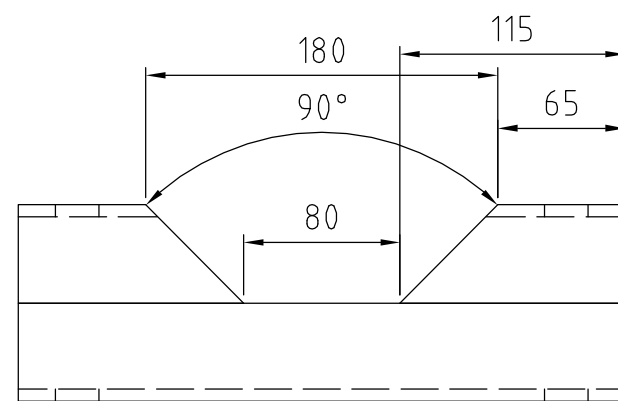
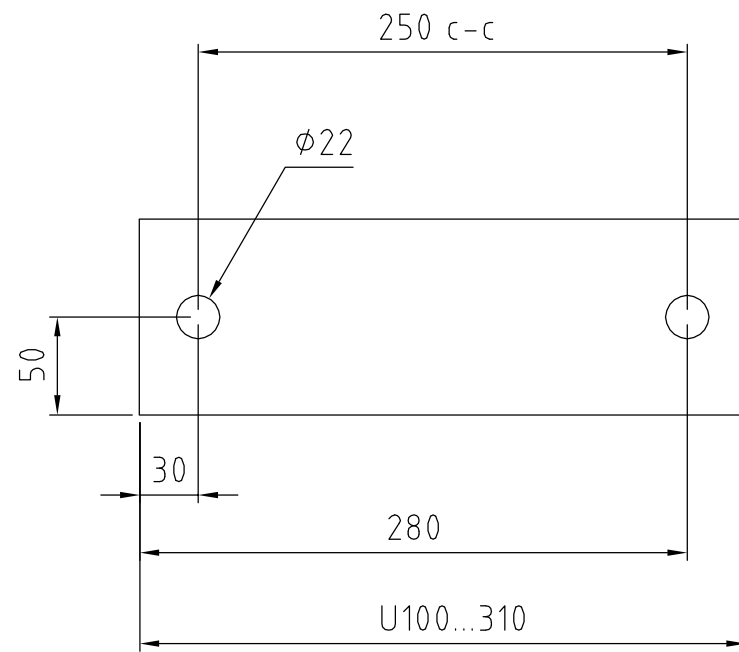
Design			Scale 1:5	Associated with AEWM200-750-1 Tolerance class middle	Description 1 AEWM200-750-1
Drawn	13.12.01	aki			Description 2 Kiinnityspalkin kokoonpano
Check					Description 3
Approv.					
Plot Date			 <b>Aerial Oy</b> Tel. +358-9-2790 120 Fax. +358-9-2910 210 Box 22 04401 Järvenpää Finland <a href="http://www.aerial.fi">http://www.aerial.fi</a> <a href="mailto:aerial@aerial.fi">aerial@aerial.fi</a>	Material 1 Fe37, U100	
Mass				Outline size	
DWG					




A (1:2.5)



Design			Scale 1:5	Associated with AEWM200-750-1 Tolerance class middle	Description 1 AEWM200-750-1
Drawn	13.12.01	aki			Description 2 Kiinnityspalkin osat
Check					Description 3
Approv.					
Plot Date			 <b>Aerial Oy</b> Tel. +358-9-2790 120 Fax. +358-9-2910 210 Box 22 04401 Järvenpää Finland <a href="http://www.aerial.fi">http://www.aerial.fi</a> <a href="mailto:aerial@aerial.fi">aerial@aerial.fi</a>	Material 1 Fe37, U100	
Mass				Outline size	
DWG					



Design			Scale 1:5	Associated with AEWM200-750-1 Tolerance class middle	Description 1 AEWM200-750-3
Drawn	13.12.01	aki			Description 2 Kiinnityspalkin vastapala
Check					Description 3
Approv.					
Plot Date			 <b>Aerial Oy</b> Tel. +358-9-2790 120 Fax. +358-9-2910 210 Box 22 04401 Järvenpää Finland <a href="http://www.aerial.fi">http://www.aerial.fi</a> <a href="mailto:aerial@aerial.fi">aerial@aerial.fi</a>	Material 1 Fe37, U100	
Mass				Outline size	
DWG					