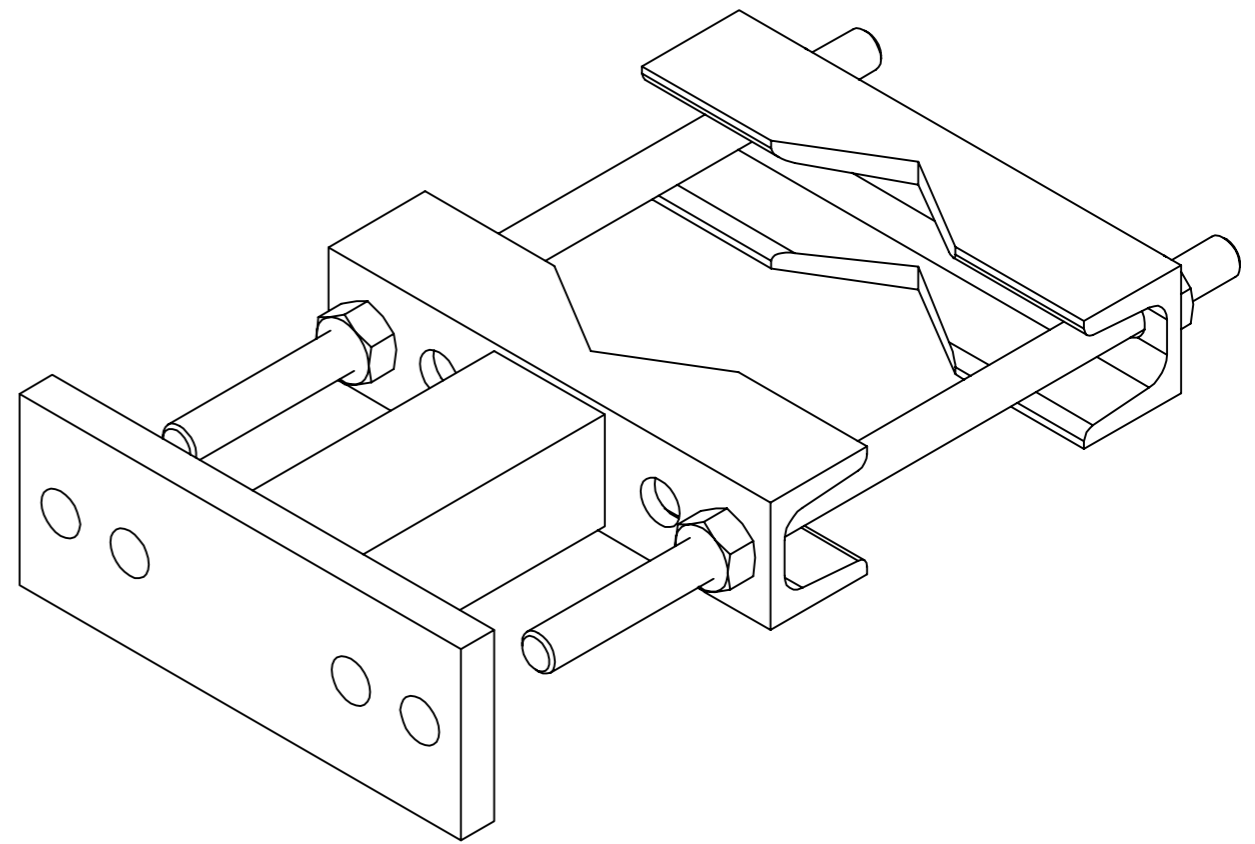
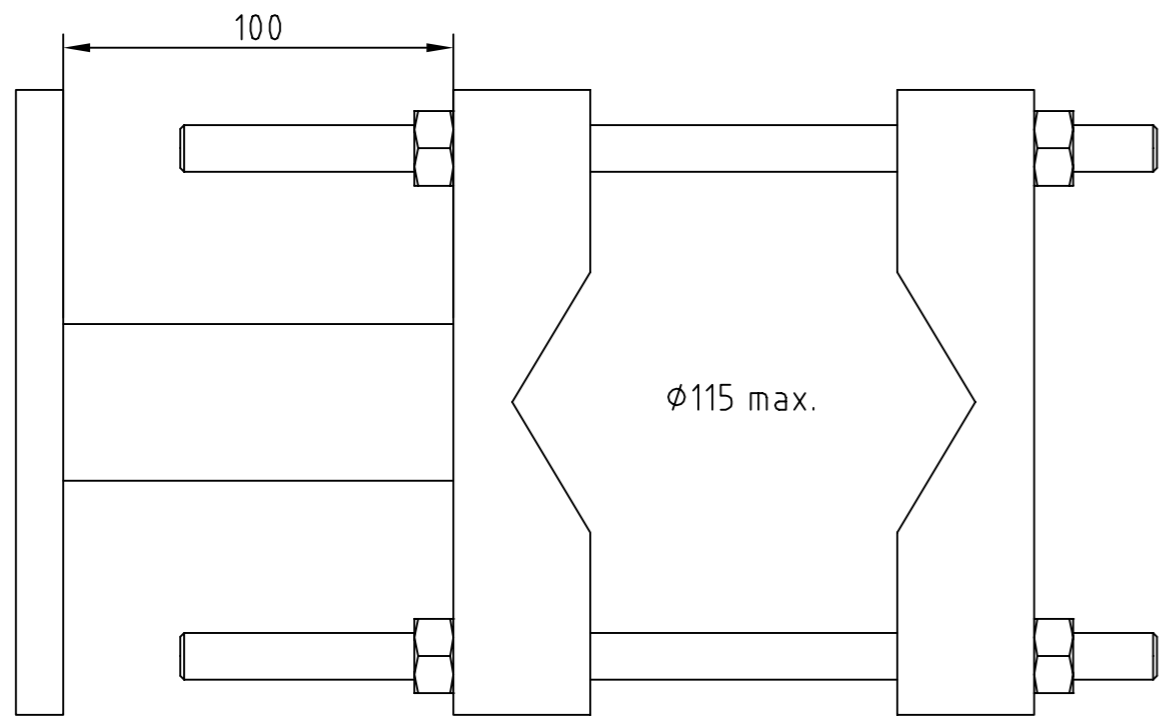
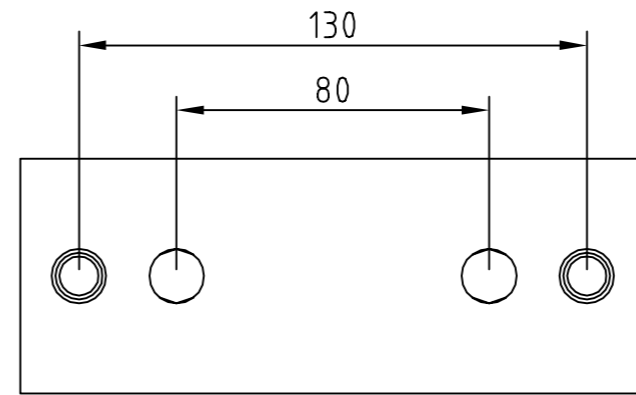
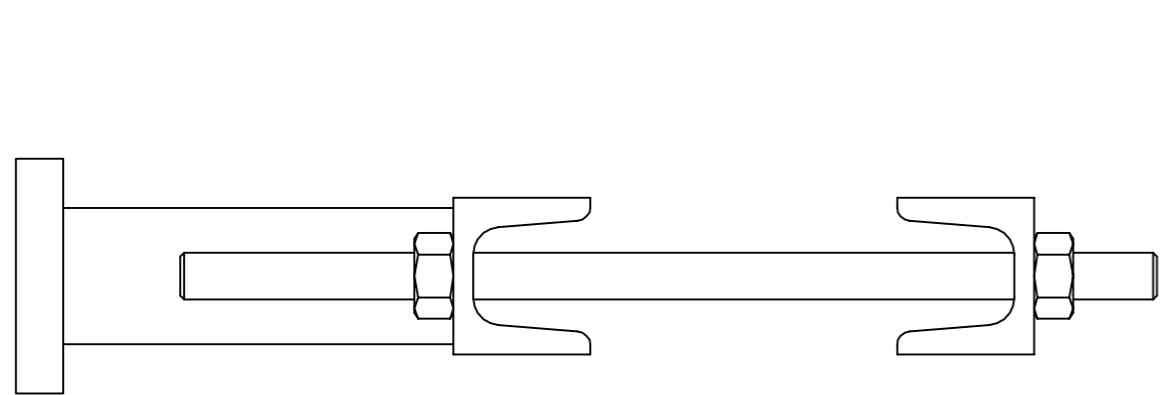



KOODI: 11814



Osaluettelo:
 1 x U40-100-160-1
 1 x U40-160
 2 x M12x250 Din 976
 8 x M12 mutteri DIN934

Design	27.9.2000	at	Scale 1:5	Associated with	Description 1 AEWMXXX-115-1
Drawn	27.9.2000	at		Tolerance class middle	Description 2 Seinäkiinnike
Check					Description 3
Approv.					
Plot Date			 Aerial Oy Tel.+358-9-2790 120 Fax.+358-9-2910 210 Box 22 04401 Järvenpää Finland http://www.aerial.fi aerial@aerial.fi	Material 1 Fe37 Hzn	
Mass				Outline size	
DWG					