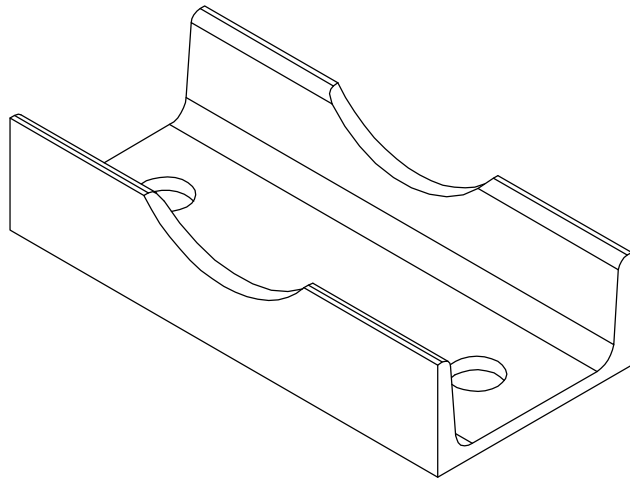
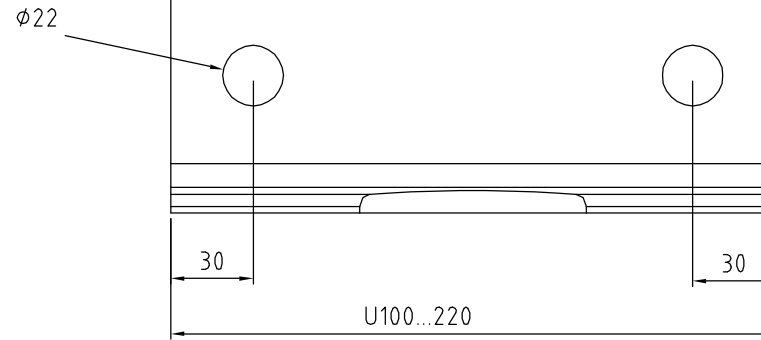
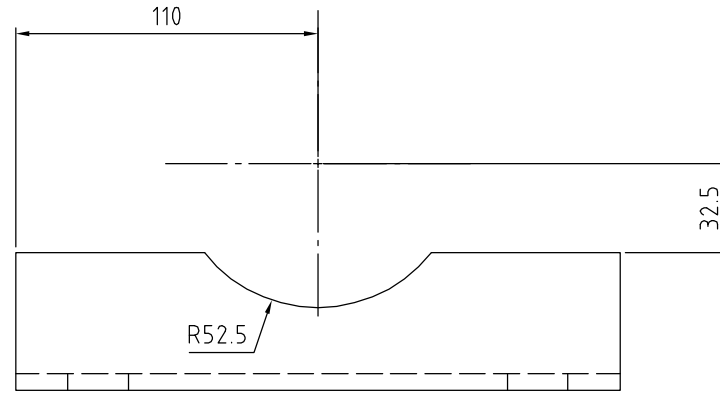
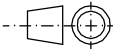



10401



| | | | | | |
|-----------|--|----|---|---|---------------------------------|
| Design | | at | Scale 1:2 | Associated with | Description 1 U100-220 |
| Drawn | | at | | Tolerance class middle | Description 2 Kiinnityspala |
| Check | | | | | Description 3 100mm putkelle |
| Approv. | | | | Material 1 Fe37 Hzn | |
| Plot Date | | |  |  Aerial Oy Tel. +358-9-2790 120 Fax. +358-9-2910 210 Box 22 04401 Järvenpää Finland http://www.aerial.fi aerial@aerial.fi | Outline size |
| Mass | | | | | |
| DWG | | | | | |