

OBSTRUCTION LIGHT OL 150-LED 230V



Type	OL 150-LED 230V
Illuminating power	10 cd minimum (14 cd typical)
Light source	Obelux 230-E27 LED Life time 100 000 hours
Cable lead-through	Pk 16 (2 pcs)
Dimensions (H x W x D)	350 x 550 x 200 mm
Weight	2,7 kg
Mounting diameter	Ø 30...115 mm pipe
Materials	Aluminium framework UV-stabilated macrolon lamp cover
Options	-



Obelux 230-E27 LED
Light source key features:

- Long lifetime and maintenance intervals
- Low power consumption – less than 9 VA
- Low energy costs
- Low total lifetime costs
- 230 VAC nominal supply voltage
- Typical intensity 14 cd
- Light output degradation less than 30% after 100 000 hours of operation
- 5 years warranty

Specifications met:

- ICAO International standards and recommended practises:
Aerodromes – Annex 14 Volume 1, 3rd edition, July 1999, Chapter 6; Low-intensity, Type A Obstacle light

**230 V_{AC} BMVBW Hindernisfeuer 10 cd / 2003 and
ICAO Low-intensity, Type A Obstacle Light, replacement unit**

Key features

- Based on LED technology
- Extremely reliable - long lifetime
- Very low power consumption
- 230 V AC nominal supply voltage
- Intensity 18 cd typical
- Stabilised light output
- Easy to install
- No RF-radiations
- Safe and easy to use

Benefits

- Long maintenance intervals
- Low energy cost
- Supply power voltage variations do not affect to light output
- Very low total lifetime costs
- Comes with five (5) years warranty

Specifications met

- BMVBW Hindernisfeuer 10 cd / 2003
- ICAO International Standards and Recommended Practices:
Aerodromes - Annex 14 Volume 1, 3rd Edition, July 1999,
Chapter 6: Low-intensity, Type A Fixed Obstacle Light

Optical characteristics

- Intensity better than 10 cd
- Colour aviation red
- Horizontal radiation pattern 360°
- Vertical radiation pattern 50°
- LED supply current stabilised by constant current generator
- Light output degradation less than 30% after 100.000 h of operation

Electrical characteristics

- LEDs in several separate groups
- Nominal operating voltage 230 V_{AC}
- Power consumption less than 10 VA
- Operating voltage range 210 to 250 V_{AC}
- Internal 230 V_{AC} / 48 V_{DC} power supply
- Two-stage over-voltage protection

Mechanical characteristics

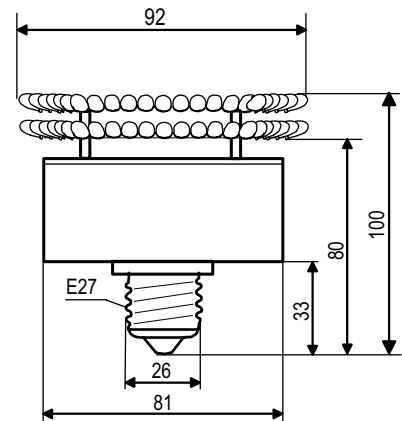
- Yellow ABS+PC body
- Degree of protection IP 30
- Operating temperature range -55°C to +55°C
- Height 100 mm, diameter 92 mm, weight 0,4 kg

Ordering Code: **Obelux 10-230-E27-D**

Made in Finland



Obelux 10-230-E27-D



	OPERATING VOLTAGE 230 V_{AC}
	CAUTION ! LED RADIATION DO NOT STARE INTO LED BEAM OR VIEW DIRECTLY WITH OPTICAL INSTRUMENTS. CLASS 2A LED PRODUCT

Technical information in this document is subject to change without notice. Copyright © Obelux Oy 2004

OBSTRUCTION LIGHT OL150-1SL



Type	OL150-1SL
Illuminating power	10 cd minimum
Light source	Philips 20W PLE lamp or similar Age 10 000 h Electronic ignition Tremor damped
Cable lead-through	Pk 16 (2 pcs)
Dimensions (H x W x D)	350 x 550 x 200 mm
Weight	2,7 kg
Mounting diameter	Ø 30...115 mm pipe
Materials	Aluminium framework UV-stabilated macrolon lamp cover
Options	SSL 10 / 230 LED lamp light source Age 100 000 h

OL150-1SL includes mounting kit and Philips 20 W PLE lamp by default

OBSTRUCTION LIGHT OL150-HQL



Type	OL150-HQL
Illuminating power	10 cd minimum
Light source	Philips HPL-N 80W Electronic ignition Tremor damped
Cable lead-through	Pk 16 (2 pcs)
Dimensions (H x W x D)	350 x 550 x 200 mm
Weight	2,7 kg
Mounting diameter	Ø 30...115 mm pipe
Materials	Aluminium framework UV-stabilated macrolon lamp cover
Options	-

230 V_{AC} ICAO Low-intensity, Type A Obstacle Light**Key features**

- Based on LED-technology
- Extremely reliable - long lifetime
- Suitable for off-shore use
- Very low power consumption
- 230 V_{AC} nominal operating voltage
- Stabilised light output
- Lightweight and small – low wind load factor
- Easy to install, several mounting sets available
- Two cable glands, easy to chain without external terminal boxes
- No RF-radiations
- Five (5) years warranty

Benefits

- Long maintenance intervals
- Low energy cost
- Supply power voltage variations do not affect to light output
- Very low total lifetime costs
- Low wind load

Specifications met

- ICAO International Standards and Recommended Practices:
Aerodromes - Annex 14 Volume 1, 3rd Edition, July 1999,
Chapter 6: Low-intensity, Type A Fixed Obstacle Light

Optical characteristics

- Intensity better than 10 cd
- Colour aviation red
- Horizontal radiation pattern 360°
- Vertical radiation pattern 50°
- LED supply current stabilised by constant current generator
- Light output degradation less than 30% after 100.000 h of operation

Electrical characteristics

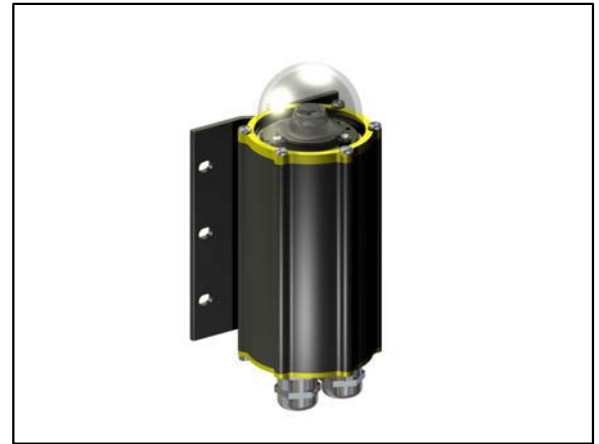
- Nominal operating voltage 230 V_{AC}
- Power consumption less than 3 VA, 1.5 W
- Operating voltage range 210 to 250 V_{AC}
- Over-voltage protection

Mechanical characteristics

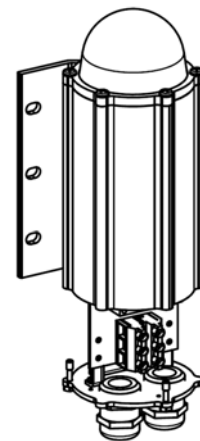
- Anodized, marine grade aluminium body and end parts
- AISI 316 acid proof steel screws
- Colourless (clear) glass cover
- Terminal box for 1,5 - 6 mm² wires
- Degree of protection IP 65
- Operating temperature range -55°C to +55°C
- Height 210 mm, diameter 104 mm, weight 1.1 kg
- Wind load with MS-EV60 mounting kit @ 200 km/h less than 40 N

Options

- Mounting kits
- Light unit with Photocell & Flasher: Obelux LI-10-230-PCFL

Order Code: **Obelux LI-10-230-F**

Obelux LI-10-230-F LED obstacle light



Made in Finland

Technical information in this document is subject to change without notice. Copyright © Obelux Oy 2006

10 - 60 V_{DC} ICAO Low-intensity, Type A Obstacle Light**Key features**

- Based on LED-technology
- Extremely reliable - long lifetime
- Suitable for off-shore use
- Very low power consumption
- Wide 10 to 60 VDC input voltage
- Stabilised light output
- Lightweight and small – low wind load factor
- Easy to install, several mounting sets available
- Two cable glands, easy to chain without external terminal boxes
- No RF-radiations
- Five (5) years warranty

Benefits

- Long maintenance intervals
- Low energy cost
- Supply power voltage variations do not affect to light output
- Very low total lifetime costs
- Low wind load

Specifications met

- ICAO International Standards and Recommended Practices:
Aerodromes - Annex 14 Volume 1, 3rd Edition, July 1999,
Chapter 6: Low-intensity, Type A Fixed Obstacle Light

Optical characteristics

- Intensity better than 10 cd
- Colour aviation red
- Horizontal radiation pattern 360°
- Vertical radiation pattern 15°
- LED supply current stabilised by constant current generator
- Light output degradation less than 30% after 100.000 h of operation

Electrical characteristics

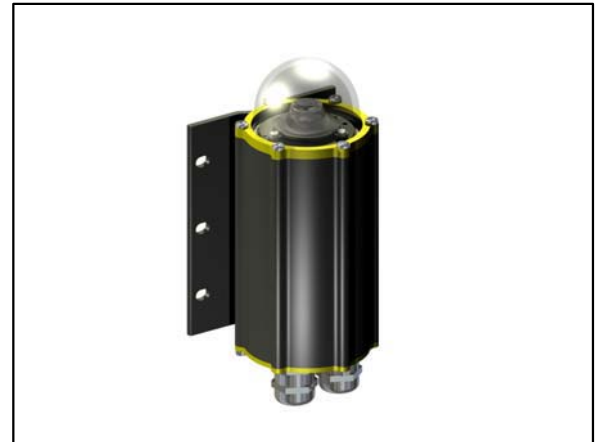
- Input voltage range 10 to 60 V_{DC}
- Power consumption less than 1.5 W
- Over voltage protection

Mechanical characteristics

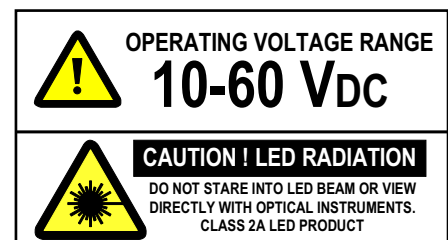
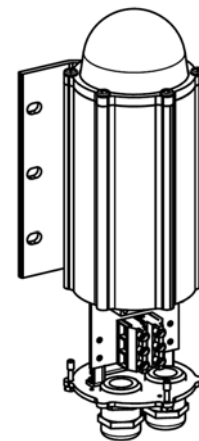
- Anodized marine grade aluminium body and end parts
- AISI 316 acid proof steel screws
- Colourless (clear) glass cover
- Terminal box for 1,5 - 6 mm² wires
- Degree of protection IP 65
- Operating temperature range -55°C to +55°C
- Height 210 mm, diameter 104 mm, weight 1.1 kg
- Wind load with MS-EV60 mounting kit @ 200 km/h less than 40 N

Options

- Mounting kits
- Photocell & Flasher: Obelux LI-10-DCW-PCFL

Order Code: **Obelux LI-10-DCW-F**

Obelux LI-10-DCW-F LED obstacle light



Made in Finland

Technical information in this document is subject to change without notice. Copyright © Obelux Oy 2006