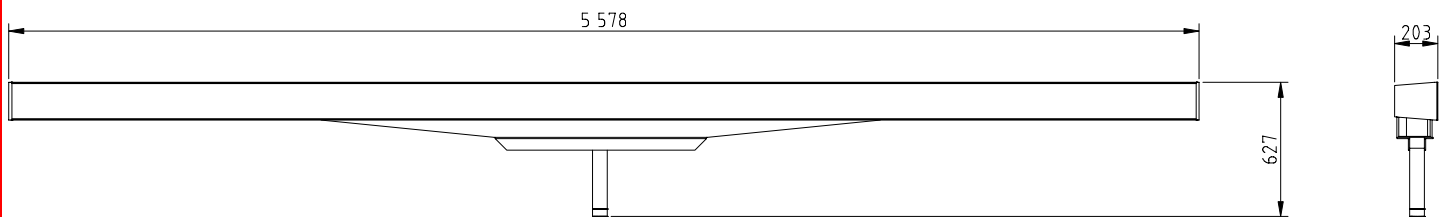


## SLOTTED WAVEGUIDE RADAR ANTENNA ARA1834



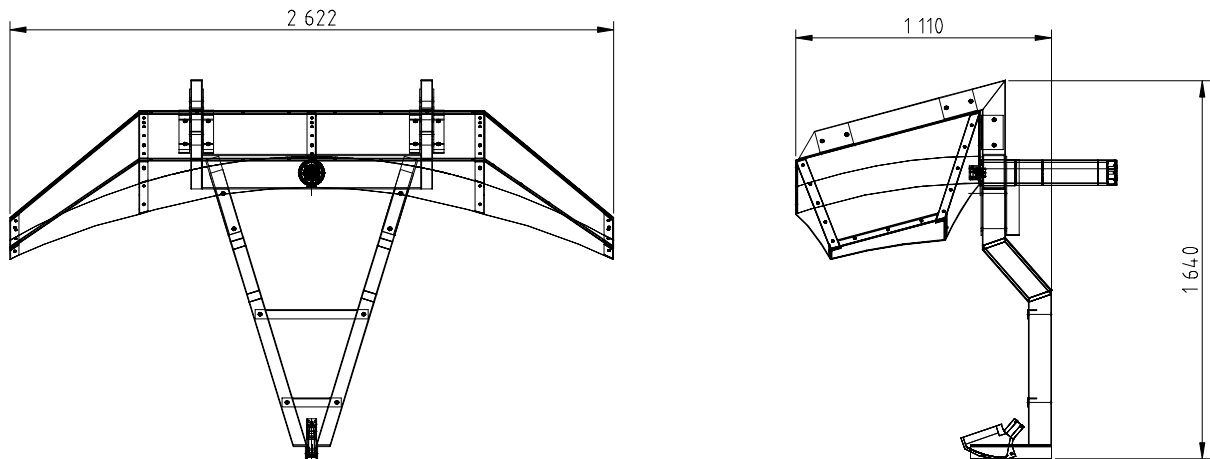
The main mechanical dimensions of ARA1834



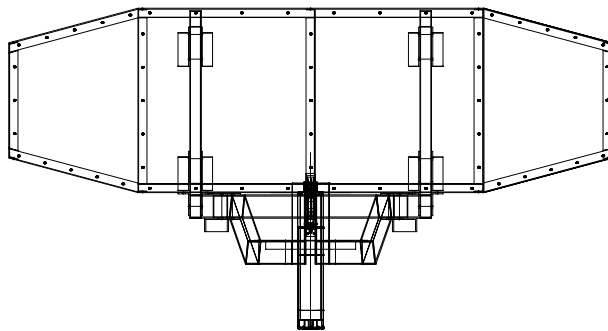
Type	ARA1834
Frequency	9,350...9,400 GHz
Bandwidth	50 MHz
VSWR	1,2 typical
Polarisation	Horisontal
Gain	34 dbi
E-plane 3 dB beamwidth	0,45°
H-plane 3 dB beamwidth	25°
Sidelobe levels E-plane	28 dB ( $\theta \leq 1^\circ$ ) 30 dB ( $\theta > 1^\circ$ )
Max. Continuous/pulsed power	25 kW*
RF-connector	CBR 100
Operational windspeed	40 m/s (default)
Survival windspeed	55 m/s (default)
Wind area	1,5 m <sup>2</sup>
Dimensions (H x W x D)	5578 x 180 x 203 mm
Weight	80 kg
Mounting diameter	Ø 70 mm
Materials	Aluminium Glassfiber radome Glass reinforced PE
Options	Mounting tube dimensions can be customer specified. Waveguide flange type. Different frequency range.

\*=Depending on pulse.

## OFFSET RADAR REFLECTOR ANTENNA ARO3000



The main mechanical dimensions of ARO3000

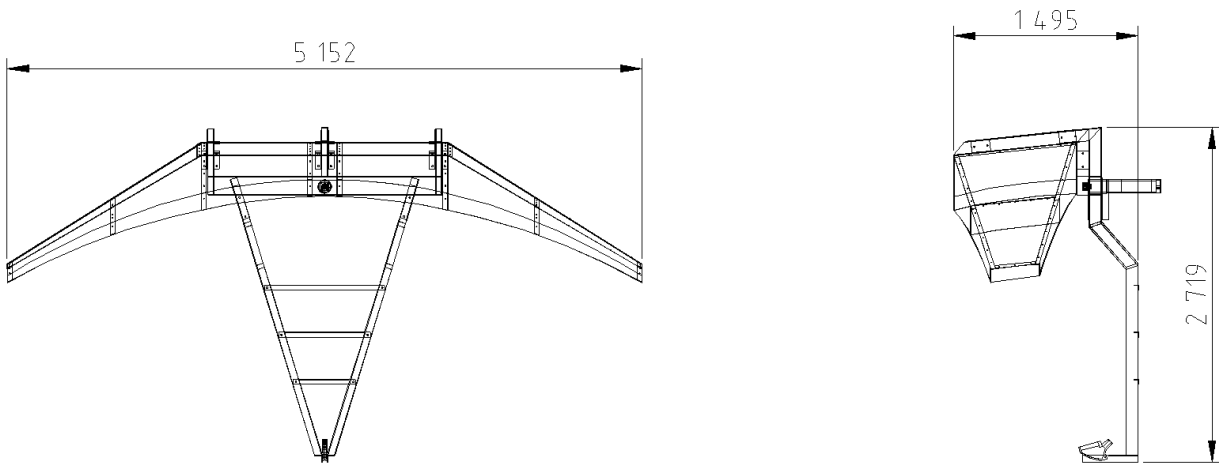


Type	ARO3000-S	ARO3000-X
Frequency	3,000...3,100 GHz	9,300...9,450 GHz
Bandwidth	100 MHz	150MHz
Impedance	50 $\Omega$	
VSWR	1,2 typical	1,2 typical
Polarisation	Horizontal	Horizontal
Gain	31,5 dBi	41 dBi
E-plane 3 dB beamwidth	**	0,9°
H-plane 3 dB beamwidth	**	3,0°
Sidelobe levels E-plane	**	28 dB ( $\theta \leq 3^\circ$ ) 34 dB ( $\theta > 3^\circ$ )
Max. Continuous/pulsed power	25 kW*	25 kW*
RF-connector	7/16 female	CBR 100
Operational windspeed	40 m/s (default)	40 m/s (default)
Survival windspeed	55 m/s (default)	55 m/s (default)
Wind area	2,95 m <sup>2</sup>	2,95 m <sup>2</sup>
Dimensions (H x W x D)	1110 x 2622 x 1640 mm	1110 x 2622 x 1640 mm
Weight	105 kg	105 kg
Mounting diameter	$\varnothing$ 70 mm	$\varnothing$ 70 mm
Materials	Aluminium Glassfiber radome Glass reinforced PE	Aluminium Glassfiber radome Glass reinforced PE
Options	Mounting tube dimensions can be customer specified. Circular polarized feed horn. Connector type.	Mounting tube dimensions can be customer specified. Circular polarized feed horn. Waveguide flange type.

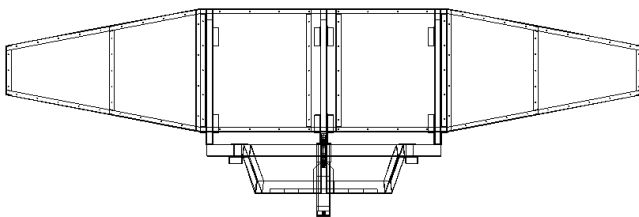
\*=Depending on pulse.

\*\*= To be announced

## OFFSET RADAR REFLECTOR ANTENNA ARO5400



The main mechanical dimensions of ARO5400



Type	ARO5400-S	ARO5400-X
Frequency	3,000...3,100 GHz	9,300...9,450 GHz
Bandwidth	100 MHz	150MHz
Impedance	50 Ω	
VSWR	1,2 typical	1,2 typical
Polarisation	Horizontal	Horizontal
Gain	35 dBi	44,5 dBi
E-plane 3 dB beamwidth	1,8°	0,6°
H-plane 3 dB beamwidth	6,3°	2,0°
Sidelobe levels E-plane	28 dB ( $\theta \leq 4^\circ$ ) 35 dB ( $\theta > 4^\circ$ )	31 dB ( $\theta \leq 3^\circ$ ) 37 dB ( $\theta > 3^\circ$ )
Max. pulse power	25 kW*	25 kW*
RF-connector	7/16 female	CBR 100
Operational windspeed	40 m/s (default)	40 m/s (default)
Survival windspeed	55 m/s (default)	55 m/s (default)
Wind area	7 m <sup>2</sup>	7 m <sup>2</sup>
Dimensions (H x W x D)	1495 x 5152 x 2719 mm	1495 x 5152 x 2719 mm
Weight	220 kg	220 kg
Mounting diameter	Ø 100 mm	Ø 100 mm
Materials	Aluminium Glassfiber radome Glass reinforced PE	Aluminium Glassfiber radome Glass reinforced PE
Options	Mounting tube dimensions can be customer specified. Circular polarization feed horn. Connector type.	Mounting tube dimensions can be customer specified. Circular polarization feed horn. Waveguide flange type.

\*=Depending on pulse.