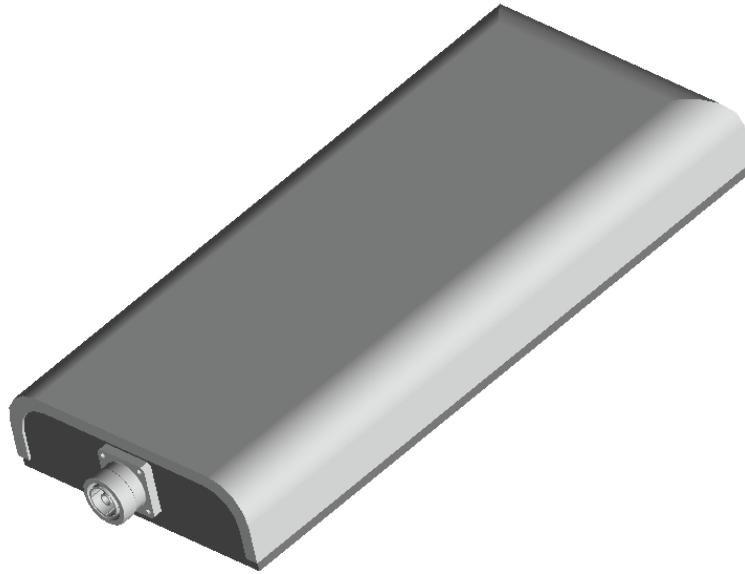


AV106 BASESTATION ANTENNA SERIES



AV106 AV109 and AV112 series contain excellent base station antenna solutions for GSM 1800 and DECT networks. The -3 dB beamwidths are 60°, 90° and 120°. Every group provides four gain alternatives.

The antenna construction includes aluminium framework, power divider and the radiating elements shielded with an UV-resistant fibreglass radome.

The radome does not react on matching so the antenna maintains its performance even if covered by heavy snow and ice.

The low intermodulation values are secured by qualitative connections and precise manufacturing.

The standard inclusive mounting kit provides an easy installation for the tube diameters from 30 mm to 115 mm.

Type	AV1060	AV1062	AV1064	AV1068
Frequency	1710...1900 MHz	1710...1900 MHz	1710...1900 MHz	1710...1900 MHz
Bandwidth	190 MHz	190 MHz	190 MHz	190 MHz
Impedance	50 Ω DC grounded	50 Ω DC grounded	50 Ω DC grounded	50 Ω DC grounded
VSWR	1,3	1,3	1,3	1,3
Polarisation	Vertical	Vertical	Vertical	Vertical
Gain	10 dBi	13 dBi	16 dBi	18,5 dBi
E-plane 3 dB beamwidth	56°	28°	14°	7°
H-plane 3 dB beamwidth	62°	62°	62°	62°
Electrical downtilt	None	None	None	None
Front to back ratio	20 dB	20 dB	20 dB	20 dB
Max. Continuous power	0,5 kW	0,5 kW	0,5 kW	0,5 kW
RF-connector	7/16 or N female	7/16 or N female	7/16 or N female	7/16 or N female
Operational windspeed	40 m/s (default)	40 m/s (default)	40 m/s (default)	40 m/s (default)
Survival windspeed	55 m/s (default)	55 m/s (default)	55 m/s (default)	55 m/s (default)
Wind area	0,05 m ²	0,1 m ²	0,2 m ²	0,4 m ²
Dimensions (HxWxD)	175x160x50 mm	350x160x50 mm	700x160x50 mm	1400x160x50 mm
Weight	0,5 kg	0,85 kg	1,7 kg	3,4 kg
Mounting diameter	Ø 30...115 mm pipe	Ø 30...115 mm pipe	Ø 30...115 mm pipe	Ø 30...115 mm pipe
Materials	Aluminium Glassfiber radome Glass reinforced PE	Aluminium Glassfiber radome Glass reinforced PE	Aluminium Glassfiber radome Glass reinforced PE	Aluminium Glassfiber radome Glass reinforced PE
Options	-	-	-	-

AV109 BASESTATION ANTENNA SERIES



AV106 AV109 and AV112 series contain excellent base station antenna solutions for GSM 1800 and DECT networks. The -3 dB beamwidths are 60°, 90° and 120°. Every group provides four gain alternatives.

The antenna construction includes aluminium framework, power divider and the radiating elements shielded with an UV-resistant fibreglass radome.

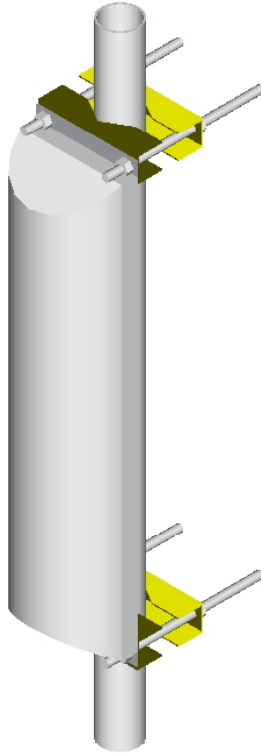
The radome does not react on matching so the antenna maintains its performance even if covered by heavy snow and ice.

The low intermodulation values are secured by qualitative connections and precise manufacturing.

The standard inclusive mounting kit provides an easy installation for the tube diameters from 30 mm to 115 mm.

Type	AV1090	AV1092	AV1094	AV1098
Frequency	1710...1900 MHz	1710...1900 MHz	1710...1900 MHz	1710...1900 MHz
Bandwidth	190 MHz	190 MHz	190 MHz	190 MHz
Impedance	50 Ω DC grounded	50 Ω DC grounded	50 Ω DC grounded	50 Ω DC grounded
VSWR	1,3	1,3	1,3	1,3
Polarisation	Vertical	Vertical	Vertical	Vertical
Gain	8,5 dBi	11,5 dBi	14,5 dBi	17 dBi
E-plane 3 dB beamwidth	56°	28°	14°	7°
H-plane 3 dB beamwidth	92°	92°	92°	92°
Electrical downtilt	None	None	None	None
Front to back ratio	20 dB	20 dB	20 dB	20 dB
Max. Continuous power	0,5 kW	0,5 kW	0,5 kW	0,5 kW
RF-connector	7/16 or N female	7/16 or N female	7/16 or N female	7/16 or N female
Operational windspeed	40 m/s (default)	40 m/s (default)	40 m/s (default)	40 m/s (default)
Survival windspeed	55 m/s (default)	55 m/s (default)	55 m/s (default)	55 m/s (default)
Wind area	0,05 m ²	0,1 m ²	0,2 m ²	0,4 m ²
Dimensions (HxWxD)	175x160x50 mm	350x160x50 mm	700x160x50 mm	1400x160x50 mm
Weight	0,5 kg	0,85 kg	1,7 kg	3,4 kg
Mounting diameter	Ø 30...115 mm pipe	Ø 30...115 mm pipe	Ø 30...115 mm pipe	Ø 30...115 mm pipe
Materials	Aluminium Glassfiber radome Glass reinforced PE	Aluminium Glassfiber radome Glass reinforced PE	Aluminium Glassfiber radome Glass reinforced PE	Aluminium Glassfiber radome Glass reinforced PE
Options	-	-	-	-

AV109-DUAL BASESTATION ANTENNA SERIES



AV109-DUAL series contains four antenna alternatives for both GSM 1800 and UMTS basestation use with 90° beamwidth.

The antenna construction includes aluminium framework, power divider and the radiating elements shielded with an UV-resistant fibreglass radome. The radome does not react on matching so the antenna maintains it's SWR performance even if covered by heavy snow and ice.

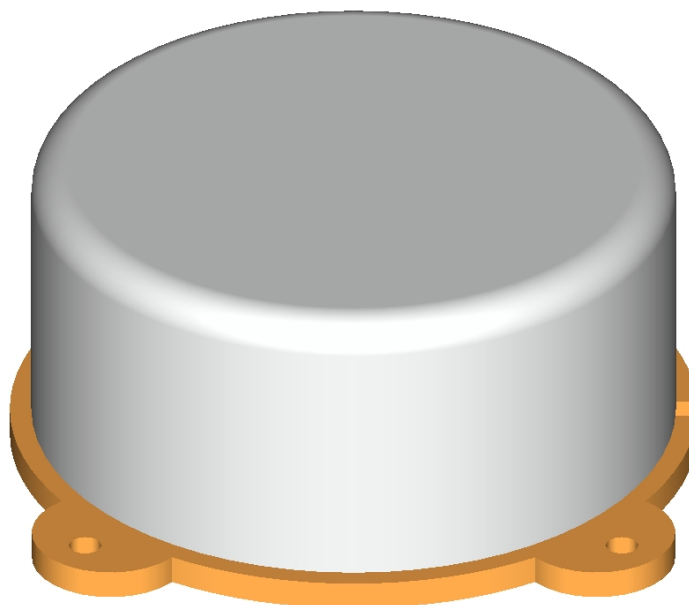
The low intermodulation values are secured by qualitative connections and precise manufacturing.

The standard inclusive (unless agreed otherwise) mounting kit provides easy installation for the tube diameters from 30 mm to 115 mm.

The durability and high performance of the AV109 series provides you a real corner-stone for your cellular network in any weather conditions.

Type	AV1090-DUAL	AV1092-DUAL	AV1094-DUAL	AV1098-DUAL
Frequency range	1710...2170 MHz	1710...2170 MHz	1710...2170 MHz	1710...2170 MHz
Bandwidth	460 MHz	460 MHz	460 MHz	460 MHz
Impedance	50Ω DC grounded	50Ω DC grounded	50Ω DC grounded	50Ω DC grounded
VSWR	1,5	1,5	1,5	1,5
Polarisation	Vertical	Vertical	Vertical	Vertical
Gain	8,5 dBi	11,5 dBi	14,5 dBi	17 dBi
E-plane 3 dB beamwidth	50°	30°	15°	7,5°
H-plane 3 dB beamwidth	90°	90°	90°	90°
Electrical downtilt	None	None	None	None
Front-to-back ratio	20 dB	20 dB	20 dB	20 dB
Max. Continuous power	0,5 kW	0,5 kW	0,5 kW	0,5 kW
RF-connector	7/16 female	7/16 female	7/16 female	7/16 female
Operational windspeed	40 m/s (default)	40 m/s (default)	40 m/s (default)	40 m/s (default)
Survival windspeed	55 m/s (default)	55 m/s (default)	55 m/s (default)	55 m/s (default)
Wind area	0,05 m ²	0,1 m ²	0,2 m ²	0,4 m ²
Dimensions (HxWxD)	175x160x90 mm	350x160x90 mm	700x160x90 mm	1400x160x90 mm
Weight	0,5 kg	0,85 kg	1,7 kg	3,4 kg
Mounting diameter	Ø 30...115 mm	Ø 30...115 mm	Ø 30...115 mm	Ø 30...115 mm
Materials	Aluminium Glassfiber radome Glass reinforced PE	Aluminium Glassfiber radome Glass reinforced PE	Aluminium Glassfiber radome Glass reinforced PE	Aluminium Glassfiber radome Glass reinforced PE
Options	-	-	-	-

GSM 1800 INDOOR ANTENNA AV1100



Type	AV1100
Frequency	1710...1880 MHz
Bandwidth	170 MHz
Impedance	50 Ω DC grounded
VSWR	1,5
Polarisation	Vertical or horizontal
Gain	6 dBi
E-plane 3 dB beamwidth	70°
H-plane 3 dB beamwidth	100°
Electrical downtilt	None
Front to back ratio	15 dB
Max. Continuous power	50 W
RF-connector	N female
Operational windspeed	40 m/s (default)
Survival windspeed	55 m/s (default)
Wind area	0,005 m ²
Dimensions (ØxH)	100x48 mm
Weight	0,2 kg
Mounting	Wall / ceiling
Materials	Aluminium Glassfiber radome Glass reinforced PE
Options	Colour

AV112 BASESTATION ANTENNA SERIES



AV106 AV109 and AV112 series contain excellent base station antenna solutions for GSM 1800 and DECT networks. The -3 dB beamwidths are 60°, 90° and 120°. Every group provides four gain alternatives.

The antenna construction includes aluminium framework, power divider and the radiating elements shielded with an UV-resistant fibreglass radome.

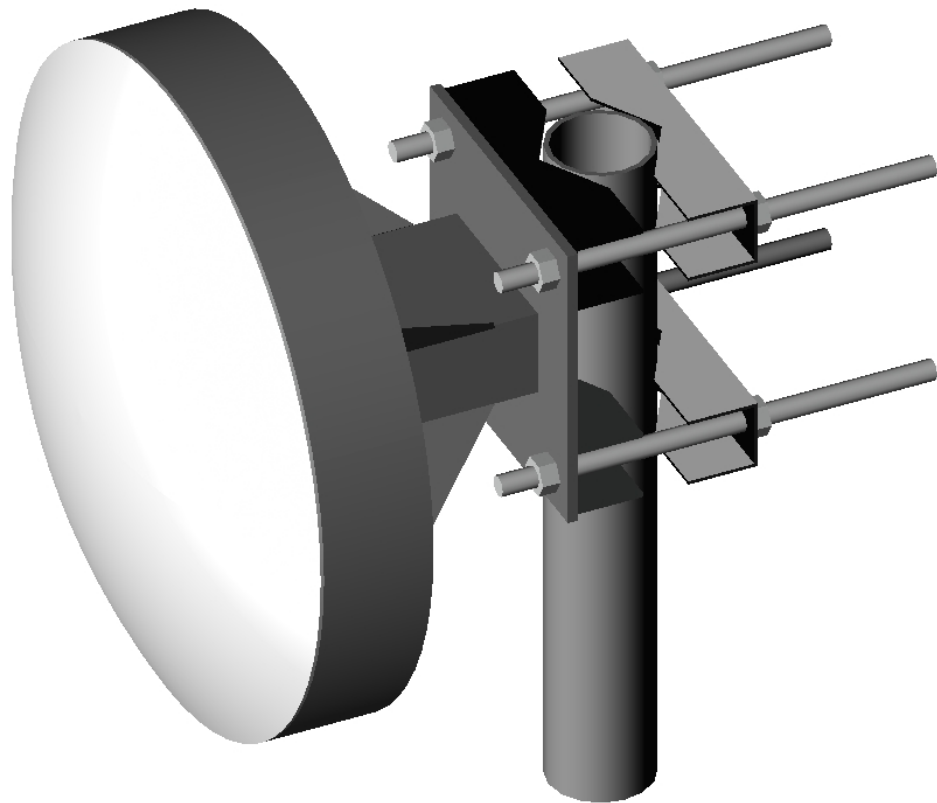
The radome does not react on matching so the antenna maintains its performance even if covered by heavy snow and ice.

The low intermodulation values are secured by qualitative connections and precise manufacturing.

The standard inclusive mounting kit provides an easy installation for the tube diameters from 30 mm to 115 mm.

Type	AV1120	AV1122	AV1124	AV1128
Frequency	1710...1900 MHz	1710...1900 MHz	1710...1900 MHz	1710...1900 MHz
Bandwidth	190 MHz	190 MHz	190 MHz	190 MHz
Impedance	50 Ω DC grounded	50 Ω DC grounded	50 Ω DC grounded	50 Ω DC grounded
VSWR	1,3	1,3	1,3	1,3
Polarisation	Vertical	Vertical	Vertical	Vertical
Gain	7 dBi	10 dBi	13 dBi	15,5 dBi
E-plane 3 dB beamwidth	56°	28°	14°	7°
H-plane 3 dB beamwidth	115°	115°	115°	115°
Electrical downtilt	None	None	None	None
Front to back ratio	20 dB	20 dB	20 dB	20 dB
Max. Continuous power	0,5 kW	0,5 kW	0,5 kW	0,5 kW
RF-connector	7/16 or N female	7/16 or N female	7/16 or N female	7/16 or N female
Operational windspeed	40 m/s (default)	40 m/s (default)	40 m/s (default)	40 m/s (default)
Survival windspeed	55 m/s (default)	55 m/s (default)	55 m/s (default)	55 m/s (default)
Wind area	0,05 m ²	0,1 m ²	0,2 m ²	0,4 m ²
Dimensions (HxWxD)	175x160x50 mm	350x160x50 mm	700x160x50 mm	1400x160x50 mm
Weight	0,5 kg	0,85 kg	1,7 kg	3,4 kg
Mounting diameter	Ø 30...115 mm pipe	Ø 30...115 mm pipe	Ø 30...115 mm pipe	Ø 30...115 mm pipe
Materials	Aluminium Glassfiber radome Glass reinforced PE	Aluminium Glassfiber radome Glass reinforced PE	Aluminium Glassfiber radome Glass reinforced PE	Aluminium Glassfiber radome Glass reinforced PE
Options	-	-	-	-

SHORT BACKFIRE ANTENNA AV4802



Type	AV4802
Frequency	1735...1840 MHz
Bandwidth	105 MHz
Impedance	50 Ω
VSWR	1,5 max
Polarisation	Vertical or horizontal
Gain	18 dBi
E-plane 3 dB beamwidth	19°
H-plane 3 dB beamwidth	19°
Electrical downtilt	None
Front to back ratio	30 dB
Max. Continuous power	0,5 kW
RF-connector	7/16 or N female
Operational windspeed	40 m/s (default)
Survival windspeed	55 m/s (default)
Wind area	0,17 m ²
Dimensions (ØxH)	520x200 mm
Weight	5 kg
Mounting diameter	Ø 30...115 mm pipe
Materials	Aluminium Glassfiber radome Glass reinforced PE
Options	Colour