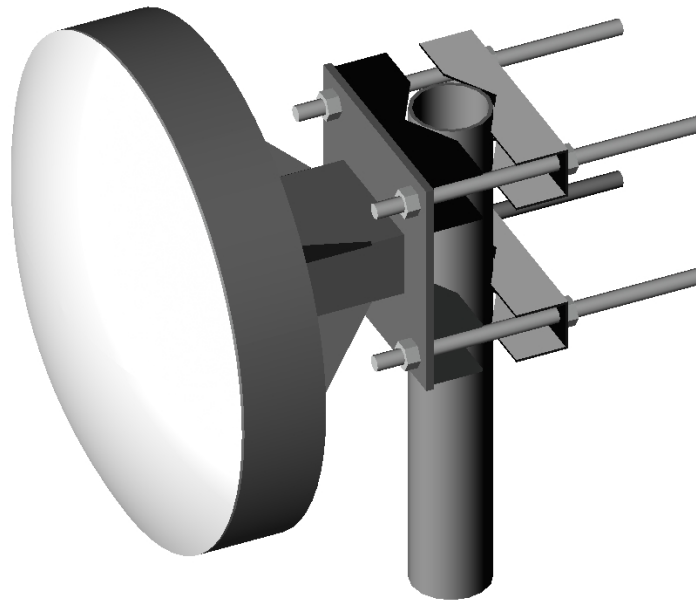


AV8501 SHORT BACKFIRE ANTENNA



Type	AV8501
Frequency	5,7...5,85 GHz
Bandwidth	0,15 GHz
Impedance	50 Ω
VSWR	1,5 max
Polarisation	Vertical or horizontal
Gain	18 dBi
E-plane 3 dB beamwidth	20°
H-plane 3 dB beamwidth	20°
Electrical downtilt	None
Front to back ratio	30 dB
Max. Continuous power	0,5 kW
RF-connector	7/16 or N female
Operational windspeed	40 m/s (default)
Survival windspeed	55 m/s (default)
Wind area	0,05 m ²
Dimensions (ØxH)	180x100 mm
Weight	0,5 kg
Mounting diameter	Ø 30...115 mm pipe
Materials	Aluminium Glassfiber radome
Options	Colour

PARABOLIC REFLECTOR ANTENNA AU850-5,8R



Type	AU850-5,8R
Frequency	5,7...5,9 GHz
Bandwidth	200 MHz
Impedance	50 Ω
VSWR	1,3 max
Polarisation	Horizontal or vertical
Gain	30,5 dBi
E-plane 3 dB beamwidth	4,0°
H-plane 3 dB beamwidth	4,0°
Electrical downtilt	None
Front to back ratio	40 dB
Max. Continuous power	0,5 kW
RF-connector	N female
Operational windspeed	40 m/s (default)
Survival windspeed	55 m/s (default)
Wind area	0,95 m ²
Dimensions (H x W x D) (Ø x H)	850 x 600 mm
Weight	31,5 kg
Mounting diameter	Ø 30...115 mm pipe
Materials	Aluminium Glassfiber radome Glass reinforced PE
Options	-