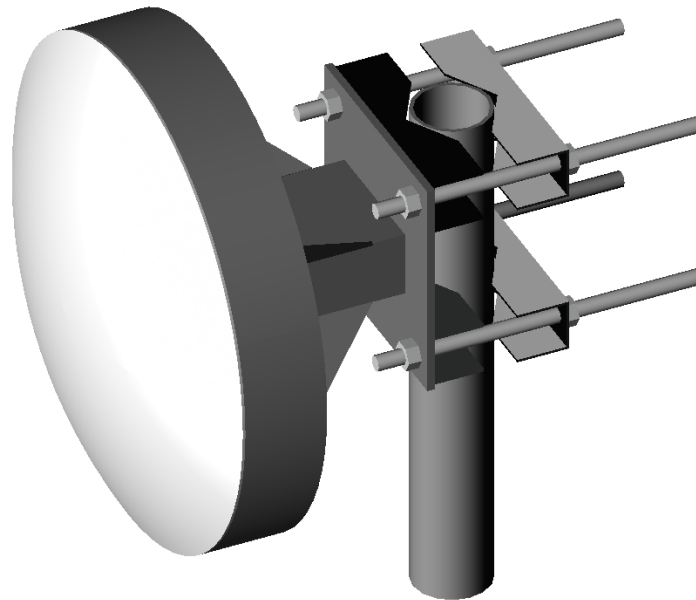
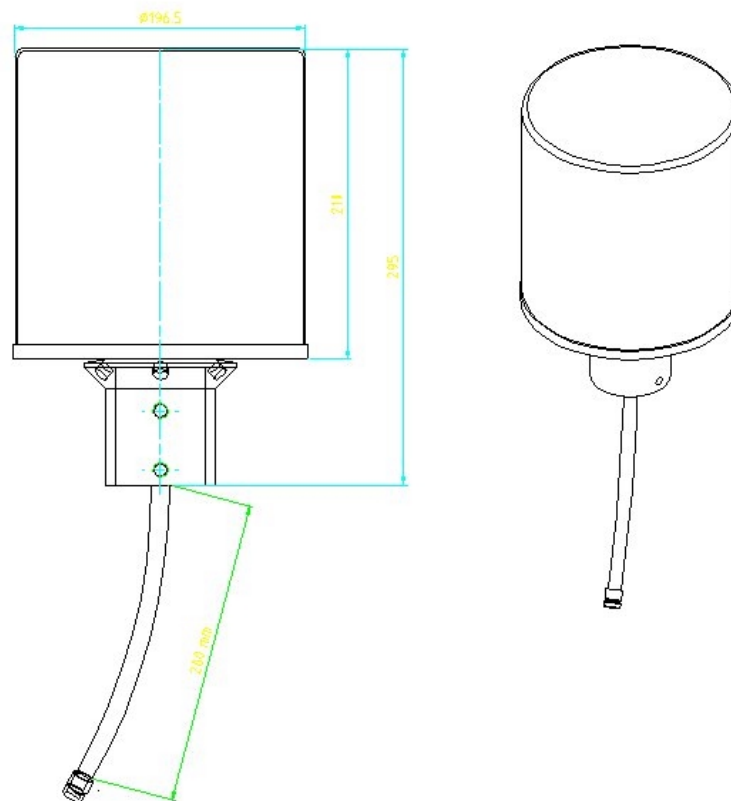


## AV7501 SHORT BACKFIRE ANTENNA



Type	AV7501
Frequency	3,4...3,5 GHz
Bandwidth	0,1 GHz
Impedance	50 $\Omega$
VSWR	1,5 max
Polarisation	Vertical or horizontal
Gain	18 dBi
E-plane 3 dB beamwidth	20°
H-plane 3 dB beamwidth	20°
Electrical downtilt	None
Front to back ratio	30 dB
Max. Continuous power	0,5 kW
RF-connector	7/16 or N female
Operational windspeed	40 m/s (default)
Survival windspeed	55 m/s (default)
Wind area	0,10 m <sup>2</sup>
Dimensions (ØxH)	300x150 mm
Weight	2 kg
Mounting diameter	Ø 30...115 mm pipe
Materials	Aluminium Glassfiber radome
Options	Colour

## AV1434-3550



Type	AV1434-3550
Frequency	3,4...3,7 GHz
Bandwidth	0,3 GHz
Impedance	50 $\Omega$
VSWR	1,5 typical
Polarisation	Vertical
Gain	5 dBi
E-plane 3 dB beamwidth	360°
H-plane 3 dB beamwidth	30°
Electrical downtilt	None
Front to back ratio	- dB
Max. Continuous power	0,5 kW
RF-connector	N female
Operational windspeed	40 m/s (default)
Survival windspeed	55 m/s (default)
Wind area	0,05 m <sup>2</sup>
Dimensions (ØxH)	200x295 mm
Weight	1,5 kg
Mounting diameter	Ø 45...60 mm pipe
Materials	Aluminium Glassfiber radome
Options	Ø 30...115 mm pipe